

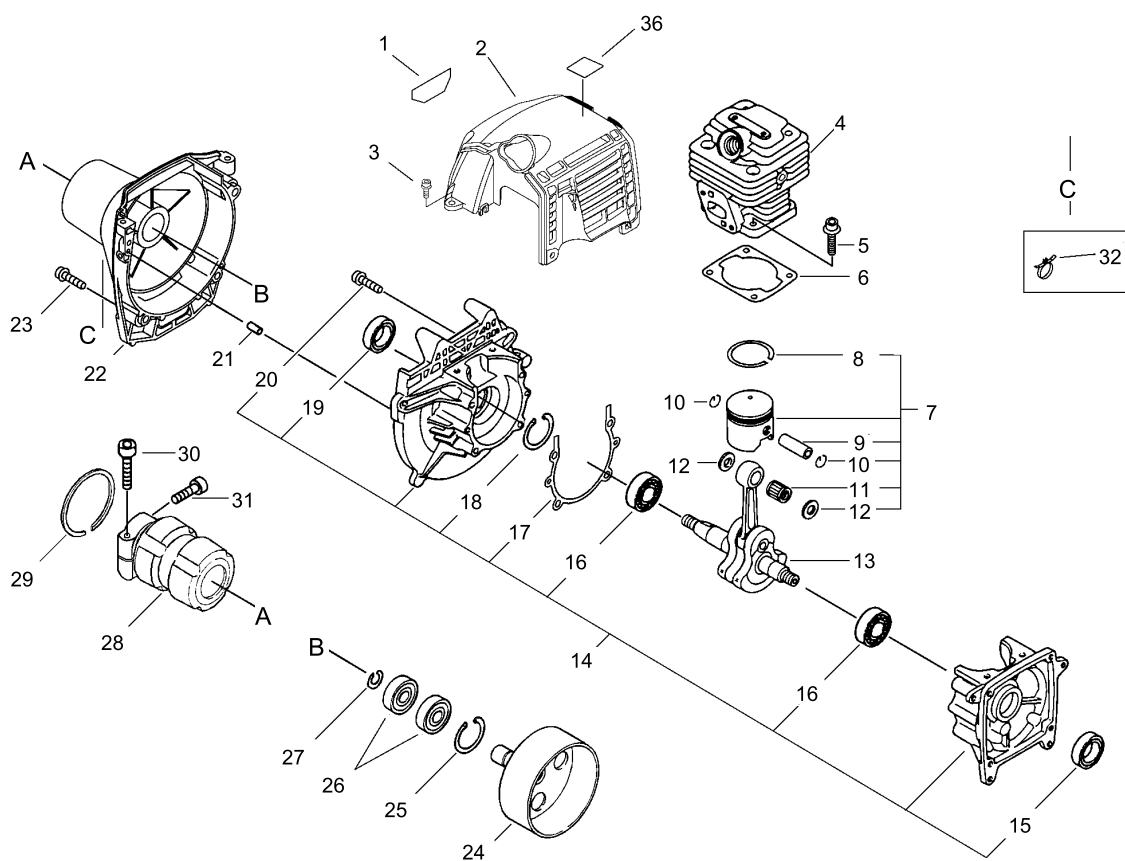
SRM-335TES/L

Published:06/04/2018

TABLE OF CONTENTS

CYLINDER, CRANKCASE, PISTON	1
STARTER, MAGNETO	3
AIR CLEANER, MUFFLER	5
FUEL TANK	7
SHIELD	9
HANDLE	11
GEAR CASE	13
CARBURETOR	15

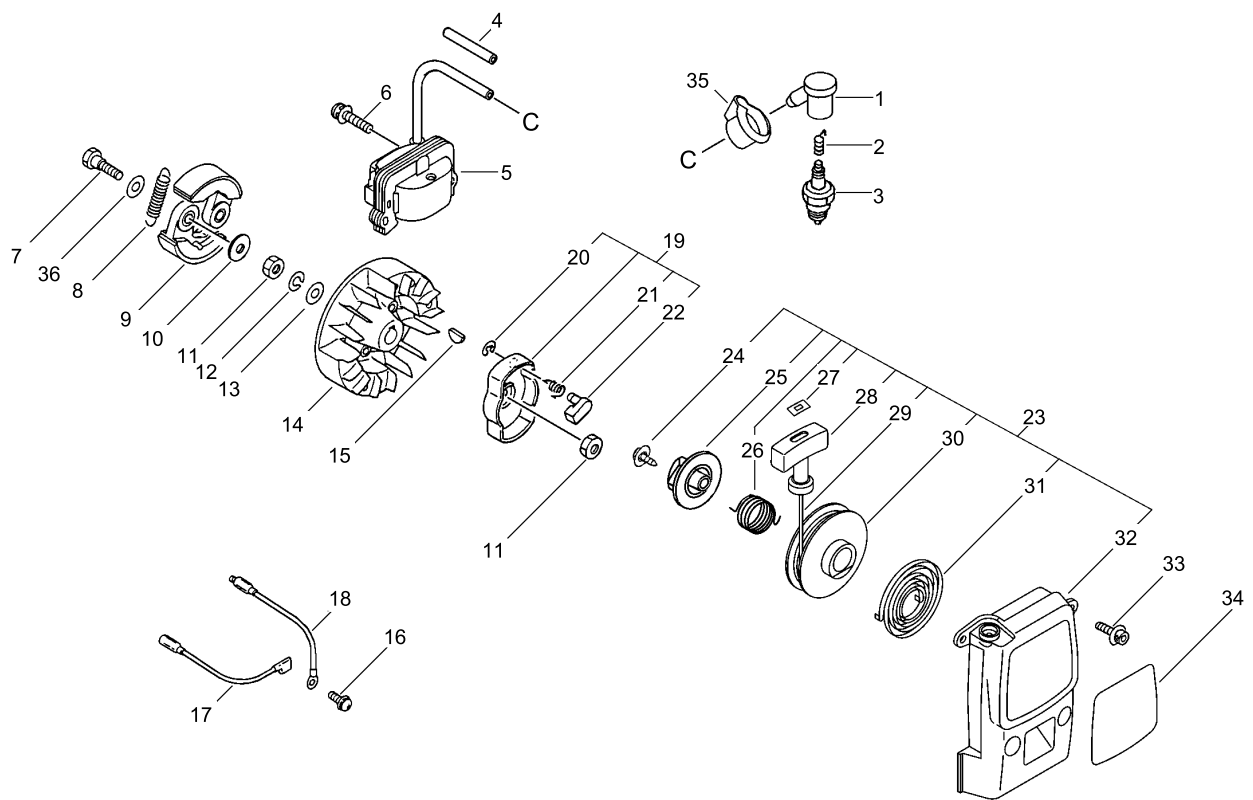
CYLINDER, CRANKCASE, PISTON



CYLINDER, CRANKCASE, PISTON

KEY NO	LV(+)	Part No	Description	Qty	Standard	Comment
1		X547-002110	LABEL,ECHO	1	ECHO SRM-335TES	
2		A160-000990	COVER,CYLINDER	1		
3		91121-05012	BOLT, FLANGE	2	10.9 SILVER	
4		A130-000850	CYLINDER	1		
5		V203-000170	BOLT,5	4	5*22	
6		V100-000240	GASKET,CYL	1	T:0.5	
7		P021-037520	PISTON KIT	1		
8	+	A101-000190	RING, PISTON	1	36*1.5*1.5	
9	+	100013-27430	PIN, PISTON	1		
10	+	100015-03931	CIRCLIP, PISTON PIN	2		
11	+	100012-16131	BEARING, NEEDLE	1		
12	+	100014-53630	SPACER, PISTON PIN	2		
13		A011-000301	CRANKSHAFT,ASM	1		
14		P021-014020	CRANKCASE KIT	1		
15	+	V505-000020	SEAL,OIL 12	1	12*22*7	
16	+	94035-36201	BEARING BALL	2	6201X3JR2C3	
17	+	V102-000040	GASKET,CRANKCASE	1	T:0.5	
18	+	900702-00032	CIRCLIP 32	1	CR-32	
19	+	100212-03930	OILSEAL	1	ISCX12*32*5.5	
20	+	V203-000160	BOLT,5	4	5*30	
21		100215-03930	PIN, DOWEL	2		
22		A172-000770	COVER,FAN	1		
23		91118-05020	BOLT	4	CM-5*20	
24		A556-000270	DRUM,CLUTCH	1		
25		900702-00028	CIRCLIP 28	1	CR-28	
26		900807-06001	BEARING, BALL 6001	2	6001V(LB)	
27		900701-00012	CIRCLIP 12	1	CS-12	
28		V420-000970	CUSHION	1		
29		900702-00045	RING, RETAINING(IN)	1	CR-45	
30		91118-05028	BOLT	1	CM-5*28	
31		91118-05012	BOLT	1	CM-5*12	
32		V491-000160	CLIP	1		
36		X505-002310	LABEL,CAUTION	1	HOT CAUTION	

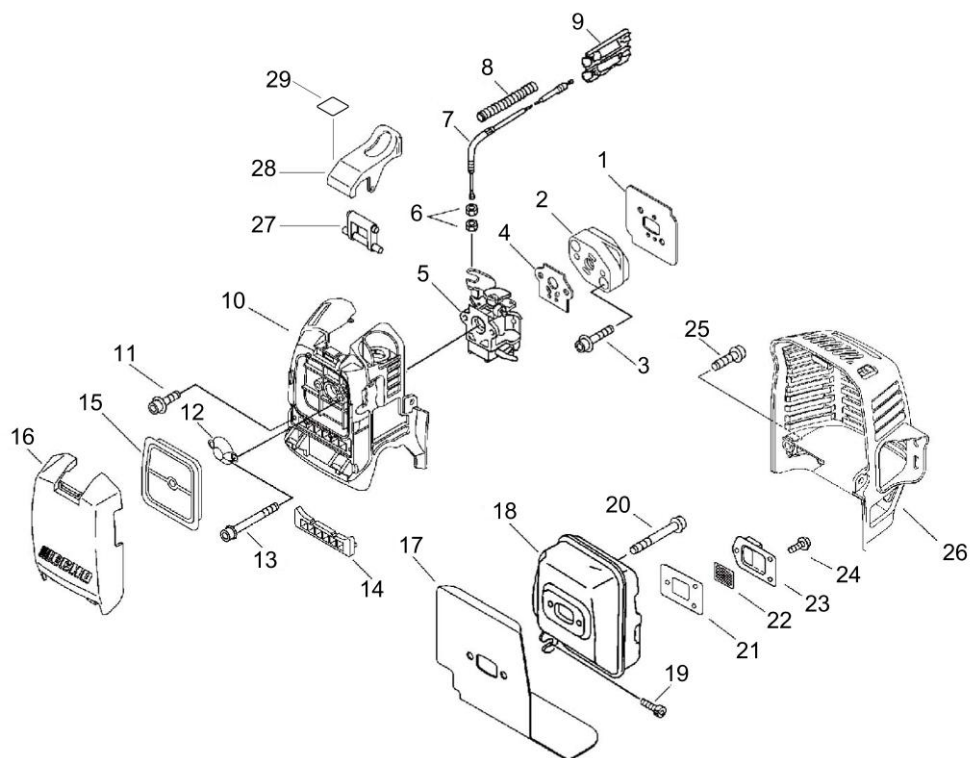
STARTER, MAGNETO



STARTER, MAGNETO

KEY NO	LV(+)	Part No	Description	Qty	Standard	Comment
1		A427-000000	CAP,SPARK PLUG	1		
2		A426-000000	TERMINAL,SPARKPLUG	1		
3		A425-000000	SPARKPLUG	1	BPMP8Y	
4		437412-16430	TUBE, PROTECTOR	1		
5		152626-55730	COIL, IGNITION	1		
6		900162-05020	BOLT, H.S. 5*20	2	5*20 W,SW	
7		A557-000150	SHAFT, CLUTCH	2		
8		A566-000010	SPRING, CLUTCH	1		
9		A553-000000	ARM,CLUTCH	2		
10		175048-05530	WASHER (I)	2	6.2*19*1.0	
11		900502-00008	NUT 8 (3N)	2	3N8	
12		900605-00008	WASHER, SPRING 8	1	8	
13		900600-00008	WASHER	1	8	
14		152801-55430	ROTOR, MAGNET	1		
15		100142-12330	KEY, WOODRUFF	1		
16		900238-05010	SCREW 5*10	1	5*10	
17		V485-000230	LEAD	1		
18		V485-000240	LEAD	1		
19		A052-000190	PULLEY,ASM STARTER	1		
20	+	P022-002100	E-RING	2	4	
21	+	177234-40630	SPRING, RETURN	2		
22	+	P022-006850	PAWL, STARTER	2		
23		A051-000760	STARTER,RECOIL	1		
24	+	177236-61830	SCREW	1		
25	+	P022-008460	PLATE, CAM	1		
26	+	P022-008450	SPRING,DAMPER	1		
27	+	177246-11120	CLIP, STARTER ROPE	1		
28	+	177228-27030	GRIP, STARTER	1		
29	+	P022-008440	ROPE, STARTER	1	3.5*900	
30	+	P022-008470	DRUM	1		
31	+	177220-40630	SPRING, REWIND	1		
32	+	P022-008540	STARTER,RECOIL	1		
33		91121-05016	BOLT, FLANGE	4	10.9 SILVER	
34		X502-000520	LABEL,ECHO	1		
35		V141-000020	GROMMET,PLUG	1		
36		175049-56030	WASHER	2	8.5*16*0.5	

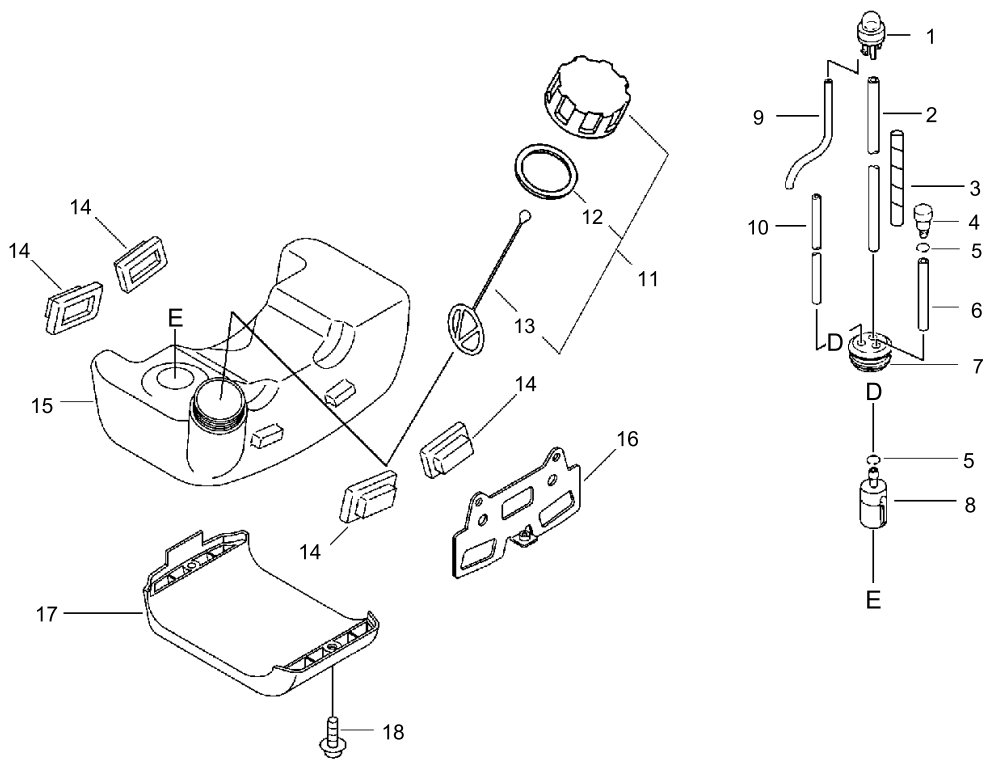
AIR CLEANER, MUFFLER



AIR CLEANER, MUFFLER

KEY NO	LV(+)	Part No	Description	Qty	Standard	Comment
1		V103-000430	GASKET,INTAKE	1	T:0.5	
2		A200-000950	INSULATOR,INTAKE	1		
3		900162-05025	BOLT, H.S. 5*25	2	5*25 W,SW	
4		V103-000160	GASKET,INTAKE	1		
5		A021-001550	CARBURETOR, DIAPHRAGM	1	WYK/EX257	
6		900502-00006	NUT 6 (3N)	2	3N6	
7		V430-000540	CABLE,BOWDEN	1		
8		V475-002210	TUBE	1		
9		178081-55932	CONNECTOR,CABLE	1		
10		P021-014140	CASE, AIR CLEANER	1		
11		900106-05012	BOLT, H.S. 5*12	1	5*12	
12		A244-000010	PLATE,PREVENT	1		
13		900105-05060	BOLT, H.S. 5*60	2	5*60	
14		V420-000640	CUSHION	1		
15		A226-000140	ELEMENT,AIR FILTER	1		
16		A232-000151	LID,CLEANER	1		
17		V104-000890	GASKET,EXHAUST	1	T1	
18		A300-000720	MUFFLER, EXHAUST	1		
19		900106-05010	BOLT, H.S. 5*10	1		
20		900105-05020	BOLT, H.S. 5*20	2	5*20	
21		V104-000520	GASKET,EXHAUST	1		
22		145862-40630	SCREEN, MUFFLER	1		
23		A313-000900	GUIDE, EXHAUST	1		
24		91367-04010	SCREW	3	4*10/SW(SUS)	
25		91121-05012	BOLT, FLANGE	1	10.9 SILVER	
26		P021-014190	LID, MUFFLER	1		
27		J485-000030	HINGE	1		
28		A235-000100	KNOB,CLEANER LID	1		
29		X524-001901	LABEL	1		PURGE BULB (PRIMER)

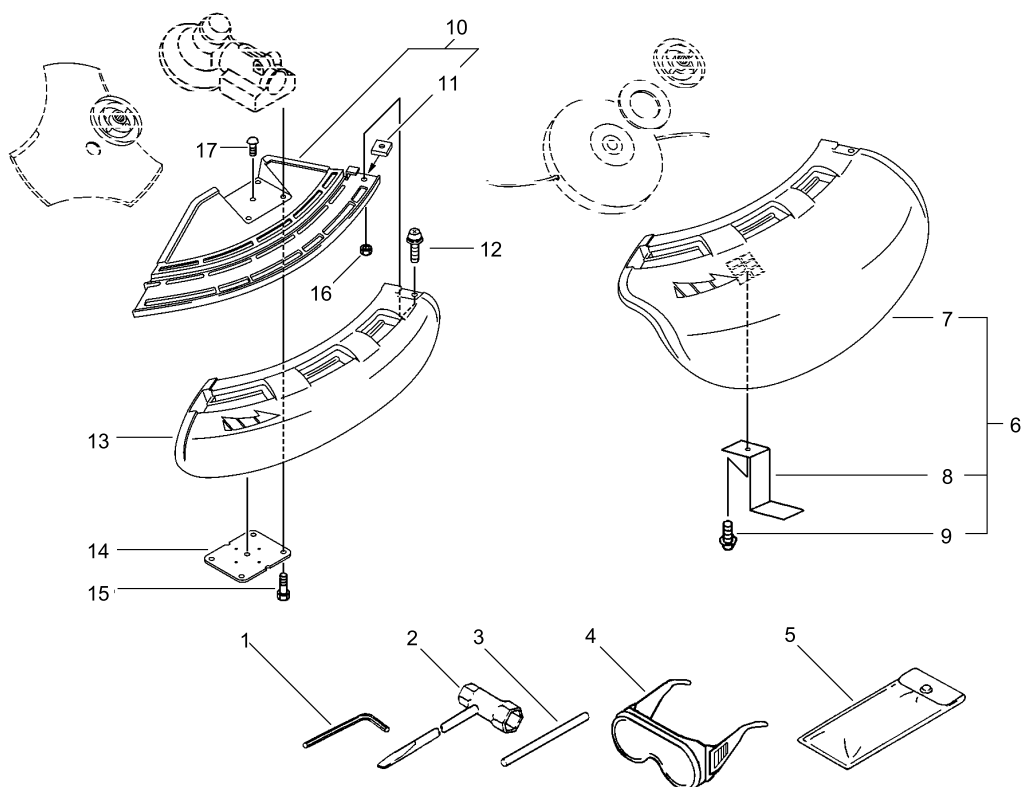
FUEL TANK



FUEL TANK

KEY NO	LV(+)	Part No	Description	Qty	Standard	Comment
1		123181-39130	PUMP, PRIMER	1		
2		132010-22130	PIPE, FUEL	1	3*6*150L NBR	
3		V475-002240	TUBE	1		
4		131300-56430	VALVE, CHECK	1		
5		132013-26630	CLIP	2	6.5MM	
6		V471-001180	PIPE	1	3*6*35 NBR	
7		132115-55930	GROMMET, FUEL	1		
8		131205-14930	STRAINER,FUEL	1		
9		V471-000640	PIPE	1	2.38*4.76*105	
10		132010-53630	PIPE	1	3*6*180 NBR	
11		P021-012210	CAP,FUEL ASY	1		
12	+	131016-55830	GASKET, FUEL CAP	1		
13	+	A365-000060	CONNECTOR,CAP	1	L=123	
14		131920-55430	CUSHION, FUEL TANK	4		
15		A350-000200	TANK,FUEL	1		
16		A393-000060	BRACKET,FUEL TANK	1		
17		A175-000011	STAND	1		
18		91121-05016	BOLT, FLANGE	2	10.9 SILVER	

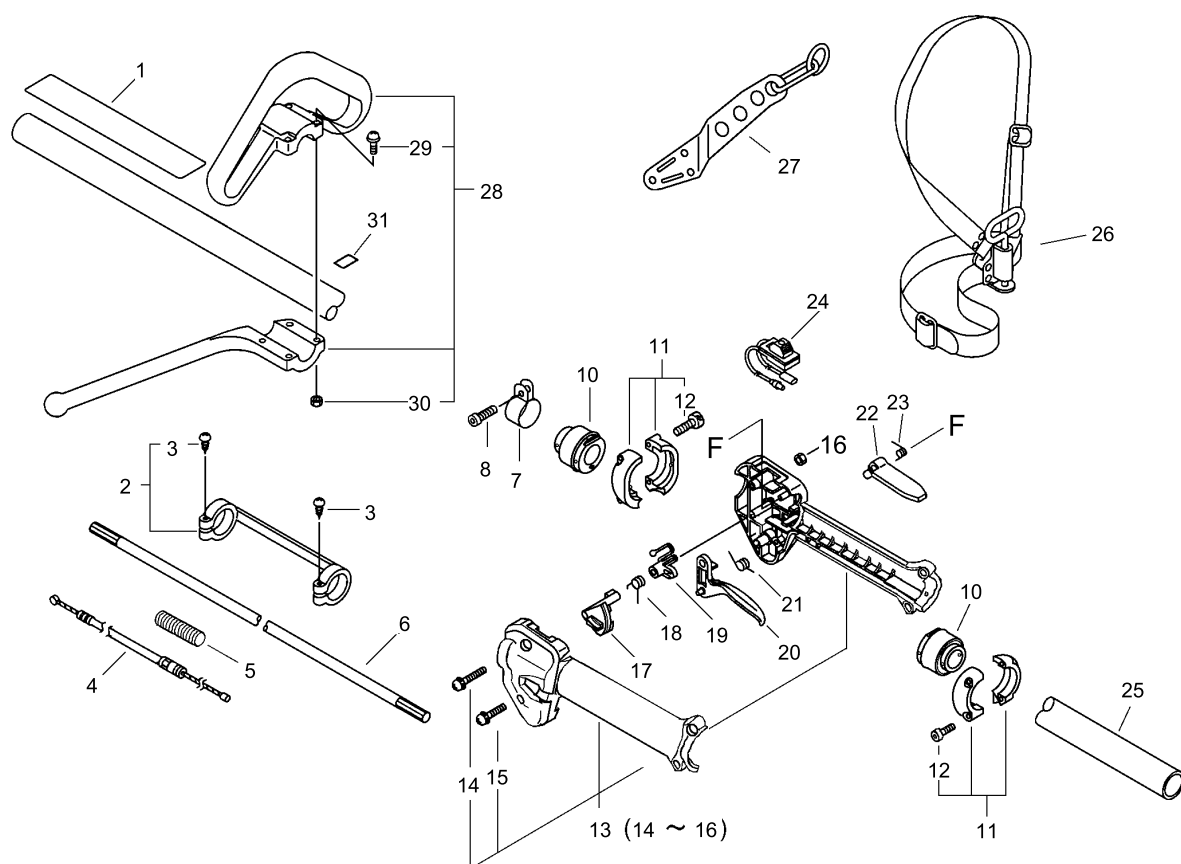
SHIELD



SHIELD

KEY NO	LV(+)	Part No	Description	Qty	Standard	Comment
1		X605-000100	TOOL,L WRENCH	1	4MM M5	
2		X602-000020	TOOL,WRENCH	1	17*19 L200	
3		X606-000080	TOOL,BAR	1	5*120	
4		X690-000050	GOGGLE	1	GOGGLE + NOTE	
5		898510-39130	BAG, TOOL	1		
6		P021-013775	SHIELD KIT	1		
7	+	C550-000570	SHIELD,BLADE	1		
8	+	C554-000030	KNIFE, CORD	1	17INCH	
9	+	91118-05018	BOLT	1	CM-5*18	
10		C550-000511	SHIELD,BLADE	1		
11	+	900565-00005	NUT	1	5	
12		91121-05025	BOLT, FLANGE	1	10.9 SILVER	
13		C550-000551	SHIELD,BLADE	1		
14		C552-000200	PLATE, SHIELD	1		
15		V203-001980	BOLT,5	4		
16		900562-00005	NUT, LOCK	1	5	
17		91316-04010	SCREW	1	M4*10	

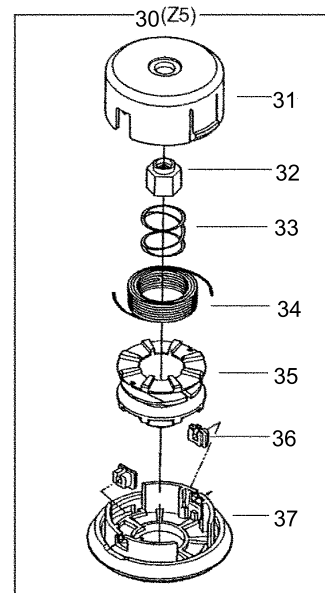
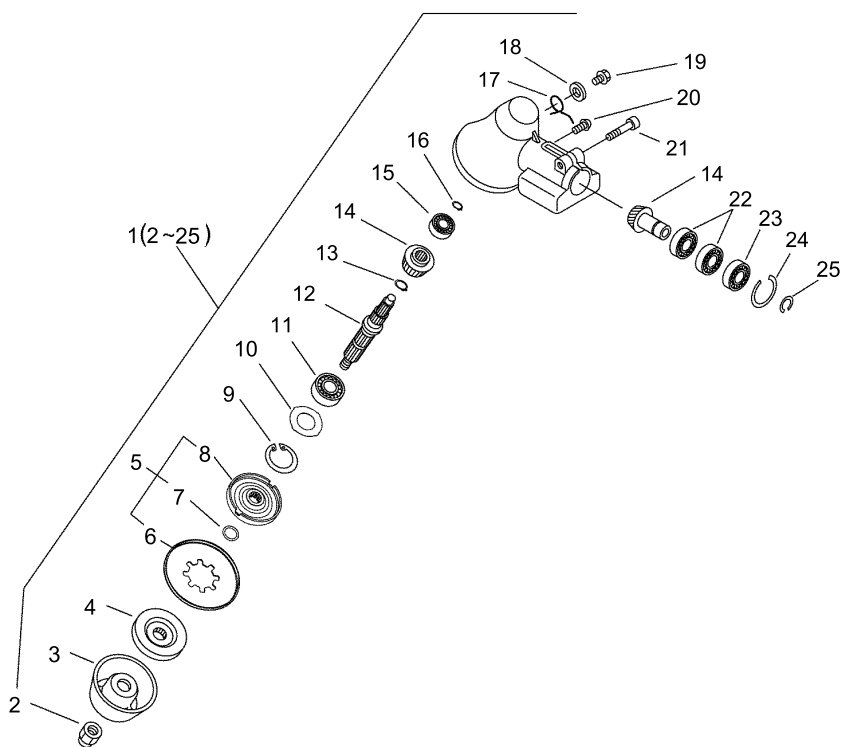
HANDLE



HANDLE

KEY NO	LV(+)	Part No	Description	Qty	Standard	Comment
1		890617-43130	LABEL,CAUTION	1		
2		610281-54131	COLLER	1		
3	+	900253-04025	SCREW 4*25	2	4*25	
4		V430-000930	CABLE,BOWDEN	1		
5		V475-002210	TUBE	1		
6		C504-000050	SHAFT,DRIVE	1	7*1540	
7		V495-001010	BAND	2		
8		91118-05014	BOLT	2		
10		V420-000960	CUSHION	2		
11		P021-012630	BRACKET ASM., HANDLE	1		
12	+	91118-05025	BOLT	4	CM-5*25	
13		P021-005960	BRACKET SET, THROTTLE	1		
14	+	91118-05025	BOLT	3	CM-5*25	
15	+	91118-05035	BOLT	1		
16	+	900500-00005	NUT 5	4	5	
17		C461-000000	LATCH,THROTTLE	1		
18		V452-000120	SPRING,TORSION	1		
19		C461-000010	LATCH,THROTTLE	1		
20		C450-000110	TRIGGER,THROTTLE	1		
21		178043-42230	SPRING, THR. RETURN	1		
22		178090-52632	LOCKOUT, T. CONTROL	1		
23		178013-52630	SPRING, THR. LOCK	1		
24		A440-000530	SWITCH,ON OFF	1		
25		C050-002380	PIPE, MAIN	1		
26		301001-46731	HARNESS, SHOULDER	1	L1910,L1550	
27		C624-000020	HANGER,HARNESS	1		
28		P021-013540	FRONT HANDLE ASY	1		
29	+	91118-05035	BOLT	4		
30	+	900500-00005	NUT 5	4	5	
31		890152-04930	LABEL, CAUTION	1		

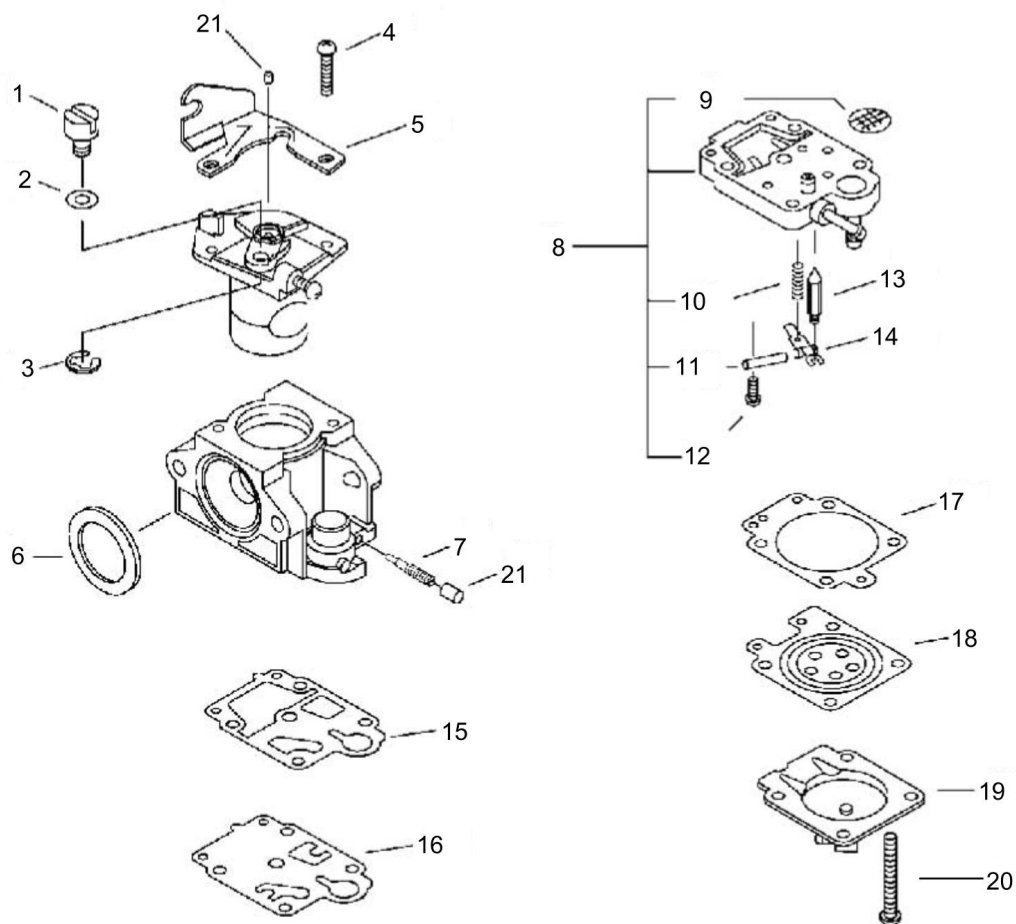
GEAR CASE



GEAR CASE

KEY NO	LV(+)	Part No	Description	Qty	Standard	Comment
1		P021-035820	HOUSING ASY,GEAR	1		
2	+	610320-52130	NUT 10	1		
3	+	699229-56830	PLATE, COVER	1		
4	+	610314-52130	PLATE, ADAPTER (L)	1		
5	+	C535-000920	FIXTURE, BLADE	1		
6	++	610352-56830	PLATE, CUP	1		
7	++	900720-00012	O-RING 12	1	P-12	
8	++	C535-000930	FIXTURE, BLADE	1		
9	+	900702-00042	CIRCLIP 42	1	CR-42	
10	+	900603-50008	WASHER	1	8.5*18*0.8T	
11	+	900812-06302	BEARING	1	BB6302 LLU, DDU	
12	+	C534-000850	SHAFT, GEAR	1		
13	+	900706-00012	CIRCLIP 12	1	WR-12	
14	+	V000-000110	GEAR SET, BEVEL	1		
15	+	900810-00629	BEARING, BALL 629	1	629	
16	+	900701-00009	CIRCLIP 9	1	CS-9	
17	+	V452-001310	SPRING,TORSION	1		
18	+	V313-000090	WASHER,CIRCULAR 20	1		
19	+	610434-50031	BOLT 8* 8	1	M8*8	
20	+	900242-05010	SCREW 5*10	1	5*10	
21	+	91118-06025	BOLT	1		
22	+	900855-06900	BEARING, BALL 6900	2	6900	
23	+	900858-06900	BEARING, BALL 6900Z	1	6900Z	
24	+	900702-00022	CIRCLIP 22	1	CR-22	
25	+	900706-00010	SNAP RING	1	WR-10	
30		X047-000321	CUTTER,ASM LINE	1		
31	+	P022-010420	HOUSING	1		
32	+	P022-023180	NUT	1		
33	+	P022-010370	SPRING	1		
34	+	P022-010380	NYLON CODE	1		
35	+	P022-010400	BOBBIN	1		
36	+	P022-000710	EYELET	2	T4	
37	+	P022-010410	COVER	1		

CARBURETOR



CARBURETOR

KEY NO	LV(+)	Part No	Description	Qty	Standard	Comment
		A021-001550	CARBURETOR, DIAPHRAGM	1	WYK/EX257	
1	+	123172-45130	SWIVEL	1		
2	+	123149-54230	WASHER	1		
3	+	123173-07930	CLIP	1		
4	+	123114-40630	SCREW	2		
5	+	P003-000180	BRACKET CABLE	1		
6	+	123143-12110	RING, PACKING	1		
7	+	P003-001130	NEEDLE, HIGH SPEED	1		
8	+	P003-001950	BODY ASSEMBLY, PUMP	1		
9	++	123126-10631	SCREEN, INLET	1		
10	++	123122-05560	SPRING, METER. LEVER	1		
11	++	123138-03930	PIN, METERING LEVER	1		
12	++	123139-05560	SCREW, M. LEVER PIN	1		
13	++	123137-19830	VALVE, INLET NEEDLE	1		
14	++	123123-03930	LEVER, METERING	1		
15	+	P003-000100	GASKET, PUMP	1		
16	+	123112-40630	DIAPHRAGM, PUMP	1		
17	+	123140-27230	GASKET,M. DIAPHRAGM	1		
18	+	P003-001850	DIAPHRAGM, METERING	1		
19	+	123142-03930	COVER, M. DIAPHRAGM	1		
20	+	123144-44330	SCREW	4		
21	+	P003-001940	CAP,LIMITER	2	WALBRO 88-265	

NUMERICAL PARTS INDEX

Part No	Part description	Page	Part No	Part description	Page	Part No	Part description	Page
100012-1-6131	BEARING, NEEDLE	2	131205-1-4930	STRAINER,FUEL	8	610314-5-2130	PLATE, ADAPTER (L)	14
100013-2-7430	PIN, PISTON	2	131300-5-6430	VALVE, CHECK	8	610320-5-2130	NUT 10	14
100014-5-3630	SPACER, PISTON PIN	2	131920-5-5430	CUSHION, FUEL TANK	8	610352-5-6830	PLATE, CUP	14
100015-0-3931	CIRCLIP, PISTON PIN	2	132010-2-2130	PIPE, FUEL	8	610434-5-0031	BOLT 8* 8	14
100142-1-2330	KEY, WOODRUFF	4	132010-5-3630	PIPE	8	699229-5-6830	PLATE, COVER	14
100212-0-3930	OILSEAL	2	132013-2-6630	CLIP	8	890152-0-4930	LABEL, CAUTION	12
100215-0-3930	PIN, DOWEL	2	132115-5-5930	GROMMET, FUEL	8	890617-4-3130	LABEL,CAUTION	12
123112-4-0630	DIAPHRAGM, PUMP	16	145862-4-0630	SCREEN, MUFFLER	6	898510-3-9130	BAG, TOOL	10
123114-4-0630	SCREW	16	152626-5-5730	COIL, IGNITION	4	900105-0-5020	BOLT, H.S. 5*20	6
123122-0-5560	SPRING, METER. LEVER	16	152801-5-5430	ROTOR, MAGNET	4	900105-0-5060	BOLT, H.S. 5*60	6
123123-0-3930	LEVER, METERING	16	175048-0-5530	WASHER (I)	4	900106-0-5010	BOLT, H.S. 5*10	6
123126-1-0631	SCREEN, INLET	16	175049-5-6030	WASHER	4	900106-0-5012	BOLT, H.S. 5*12	6
123137-1-9830	VALVE, INLET NEEDLE	16	177220-4-0630	SPRING, REWIND	4	900162-0-5020	BOLT, H.S. 5*20	4
123138-0-3930	PIN, METERING LEVER	16	177228-2-7030	GRIP, STARTER	4	900162-0-5025	BOLT, H.S. 5*25	6
123139-0-5560	SCREW, M. LEVER PIN	16	177234-4-0630	SPRING, RETURN	4	900238-0-5010	SCREW 5*10	4
123140-2-7230	GASKET,M. DIAPHRAGM	16	177236-6-1830	SCREW	4	900242-0-5010	SCREW 5*10	14
123142-0-3930	COVER, M. DIAPHRAGM	16	177246-1-1120	CLIP, STARTER ROPE	4	900253-0-4025	SCREW 4*25	12
123143-1-2110	RING, PACKING	16	178013-5-2630	SPRING, THR. LOCK	12	900500-0-0005	NUT 5	12
123144-4-4330	SCREW	16	178043-4-2230	SPRING, THR. RETURN	12	900502-0-0006	NUT 6 (3N)	6
123149-5-4230	WASHER	16	178081-5-5932	CONNECTOR, CABLE	6	900502-0-0008	NUT 8 (3N)	4
123172-4-5130	SWIVEL	16	178090-5-2632	LOCKOUT, T. CONTROL	12	900562-0-0005	NUT, LOCK	10
123173-0-7930	CLIP	16	301001-4-6731	HARNESS, SHOULDER	12	900565-0-0005	NUT	10
123181-3-9130	PUMP, PRIMER	8	437412-1-6430	TUBE, PROTECTOR	4	900600-0-0008	WASHER	4
131016-5-5830	GASKET, FUEL CAP	8	610281-5-4131	COLLER	12	900603-5-0008	WASHER	14

NUMERICAL PARTS INDEX

Part No	Part description	Page	Part No	Part description	Page	Part No	Part description	Page
900605-0-0008	WASHER, SPRING 8	4	91121-05-012	BOLT, FLANGE	2	A313-00-0900	GUIDE, EXHAUST	6
900701-0-0009	CIRCLIP 9	14	91121-05-012	BOLT, FLANGE	6	A350-00-0200	TANK,FUEL	8
900701-0-0012	CIRCLIP 12	2	91121-05-016	BOLT, FLANGE	4	A365-00-0060	CONNECTOR,CAP	8
900702-0-0022	CIRCLIP 22	14	91121-05-016	BOLT, FLANGE	8	A393-00-0060	BRACKET,FUEL TANK	8
900702-0-0028	CIRCLIP 28	2	91121-05-025	BOLT, FLANGE	10	A425-00-0000	SPARKPLUG	4
900702-0-0032	CIRCLIP 32	2	91316-04-010	SCREW	10	A426-00-0000	TERMINAL, SPARKPLUG	4
900702-0-0042	CIRCLIP 42	14	91367-04-010	SCREW	6	A427-00-0000	CAP,SPARK PLUG	4
900702-0-0045	RING, RETAINING (IN)	2	94035-36-201	BEARING BALL	2	A440-00-0530	SWITCH,ON OFF	12
900706-0-0010	SNAP RING	14	A011-00-0301	CRANKSHAFT,ASM	2	A553-00-0000	ARM,CLUTCH	4
900706-0-0012	CIRCLIP 12	14	A021-00-1550	CARBURETOR, DIAPHRAGM	6	A556-00-0270	DRUM,CLUTCH	2
900720-0-0012	O-RING 12	14	A021-00-1550	CARBURETOR, DIAPHRAGM	16	A557-00-0150	SHAFT, CLUTCH	4
900807-0-6001	BEARING, BALL 6001	2	A051-00-0760	STARTER,RECOIL	4	A566-00-0010	SPRING, CLUTCH	4
900810-0-0629	BEARING, BALL 629	14	A052-00-0190	PULLEY,ASM STARTER	4	C050-00-2380	PIPE, MAIN	12
900812-0-6302	BEARING	14	A101-00-0190	RING, PISTON	2	C450-00-0110	TRIGGER, THROTTLE	12
900855-0-6900	BEARING, BALL 6900	14	A130-00-0850	CYLINDER	2	C461-00-0000	LATCH,THROTTLE	12
900858-0-6900	BEARING, BALL 6900Z	14	A160-00-0990	COVER,CYLINDER	2	C461-00-0010	LATCH,THROTTLE	12
91118-05-012	BOLT	2	A172-00-0770	COVER,FAN	2	C504-00-0050	SHAFT,DRIVE	12
91118-05-014	BOLT	12	A175-00-0011	STAND	8	C534-00-0850	SHAFT, GEAR	14
91118-05-018	BOLT	10	A200-00-0950	INSULATOR,INTAKE	6	C535-00-0920	FIXTURE, BLADE	14
91118-05-020	BOLT	2	A226-00-0140	ELEMENT,AIR FILTER	6	C535-00-0930	FIXTURE, BLADE	14
91118-05-025	BOLT	12	A232-00-0151	LID,CLEANER	6	C550-00-0511	SHIELD,BLADE	10
91118-05-028	BOLT	2	A235-00-0100	KNOB,CLEANER LID	6	C550-00-0551	SHIELD,BLADE	10
91118-05-035	BOLT	12	A244-00-0010	PLATE,PREVENT	6	C550-00-0570	SHIELD,BLADE	10
91118-06-025	BOLT	14	A300-00-0720	MUFFLER, EXHAUST	6	C552-00-0200	PLATE, SHIELD	10

NUMERICAL PARTS INDEX

Part No	Part description	Page	Part No	Part description	Page	Part No	Part description	Page
C554-00-0030	KNIFE, CORD	10	P022-00-8460	PLATE, CAM	4	V430-00-0540	CABLE,BOWDEN	6
C624-00-0020	HANGER,HARNESS	12	P022-00-8470	DRUM	4	V430-00-0930	CABLE,BOWDEN	12
J485-00-0030	HINGE	6	P022-00-8540	STARTER,RECOIL	4	V452-00-0120	SPRING,TORSION	12
P003-00-0100	GASKET, PUMP	16	P022-01-0370	SPRING	14	V452-00-1310	SPRING,TORSION	14
P003-00-0180	BRACKET CABLE	16	P022-01-0380	NYLON CODE	14	V471-00-0640	PIPE	8
P003-00-1130	NEEDLE, HIGH SPEED	16	P022-01-0400	BOBBIN	14	V471-00-1180	PIPE	8
P003-00-1850	DIAPHRAGM, METERING	16	P022-01-0410	COVER	14	V475-00-2210	TUBE	6
P003-00-1940	CAP,LIMITER	16	P022-01-0420	HOUSING	14	V475-00-2210	TUBE	12
P003-00-1950	BODY ASSEMBLY, PUMP	16	P022-02-3180	NUT	14	V475-00-2240	TUBE	8
P021-00-5960	BRACKET SET, THROTTLE	12	V000-00-0110	GEAR SET, BEVEL	14	V485-00-0230	LEAD	4
P021-01-2210	CAP,FUEL ASY	8	V100-00-0240	GASKET,CYL	2	V485-00-0240	LEAD	4
P021-01-2630	BRACKET ASM., HANDLE	12	V102-00-0040	GASKET, CRANKCASE	2	V491-00-0160	CLIP	2
P021-01-3540	FRONT HANDLE ASY	12	V103-00-0160	GASKET,INTAKE	6	V495-00-1010	BAND	12
P021-01-3775	SHIELD KIT	10	V103-00-0430	GASKET,INTAKE	6	V505-00-0020	SEAL,OIL 12	2
P021-01-4020	CRANKCASE KIT	2	V104-00-0520	GASKET,EXHAUST	6	X047-00-0321	CUTTER,ASM LINE	14
P021-01-4140	CASE, AIR CLEANER	6	V104-00-0890	GASKET,EXHAUST	6	X502-00-0520	LABEL,ECHO	4
P021-01-4190	LID, MUFFLER	6	V141-00-0020	GROMMET,PLUG	4	X505-00-2310	LABEL,CAUTION	2
P021-03-5820	HOUSING ASY, GEAR	14	V203-00-0160	BOLT,5	2	X524-00-1901	LABEL	6
P021-03-7520	PISTON KIT	2	V203-00-0170	BOLT,5	2	X547-00-2110	LABEL,ECHO	2
P022-00-0710	EYELET	14	V203-00-1980	BOLT,5	10	X602-00-0020	TOOL,WRENCH	10
P022-00-2100	E-RING	4	V313-00-0090	WASHER,CIRCULAR 20	14	X605-00-0100	TOOL,L WRENCH	10
P022-00-6850	PAWL, STARTER	4	V420-00-0640	CUSHION	6	X606-00-0080	TOOL,BAR	10
P022-00-8440	ROPE, STARTER	4	V420-00-0960	CUSHION	12	X690-00-0050	GOGGLE	10
P022-00-8450	SPRING,DAMPER	4	V420-00-0970	CUSHION	2			