

# SRM-3020TES/L

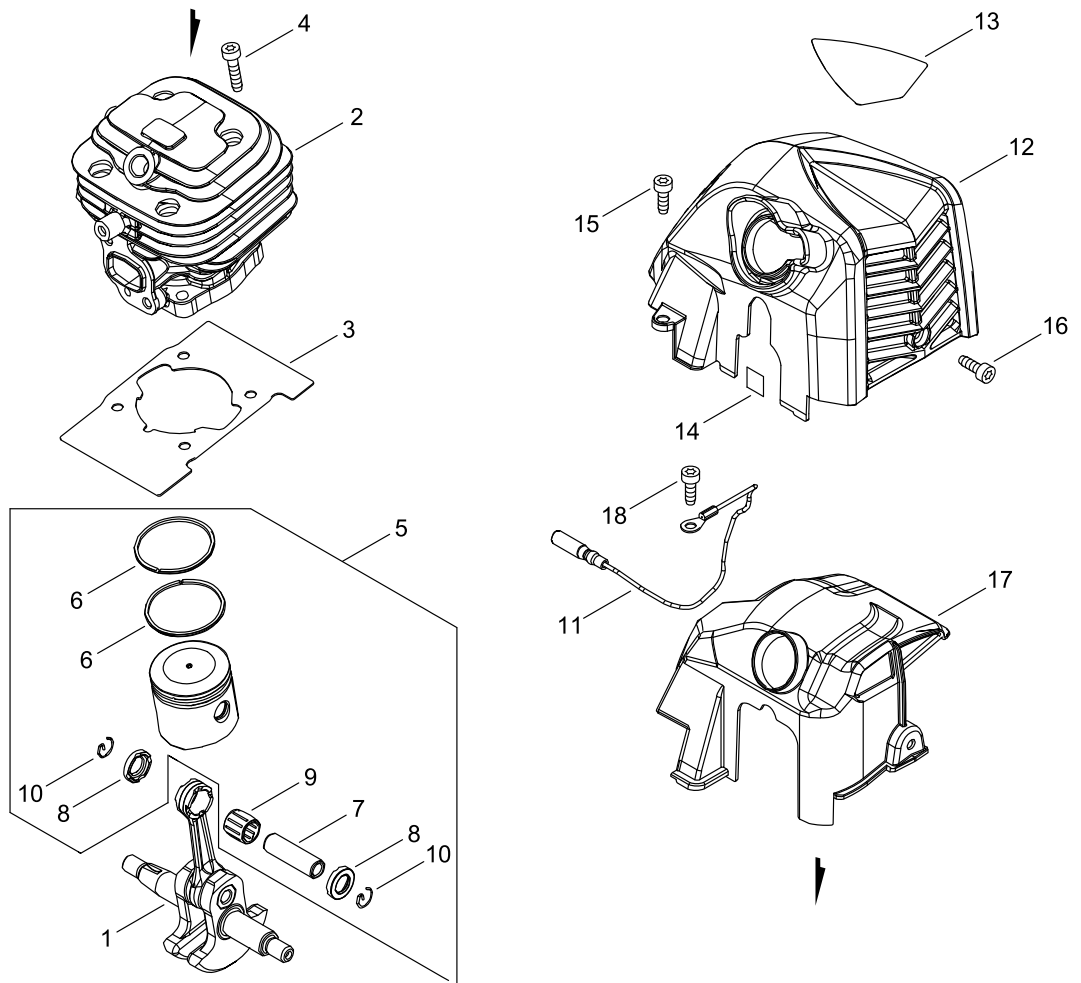
Published:01/24/2018

## TABLE OF CONTENTS

---

CYLINDER, PISTON, CRANKSHAFT.....	1
CRANKCASE .....	3
MAGNETO.....	5
CLUTCH.....	7
AIR CLEANER, CARBURETOR.....	9
CARBURETOR.....	11
FUEL TANK.....	13
MUFFLER .....	15
RECOIL STARTER, PULLY .....	17
GEAR CASE, SHIELD.....	19
MAIN PIPE, HANDLE.....	21
THROTTLE .....	23
ACCESSORIES .....	25

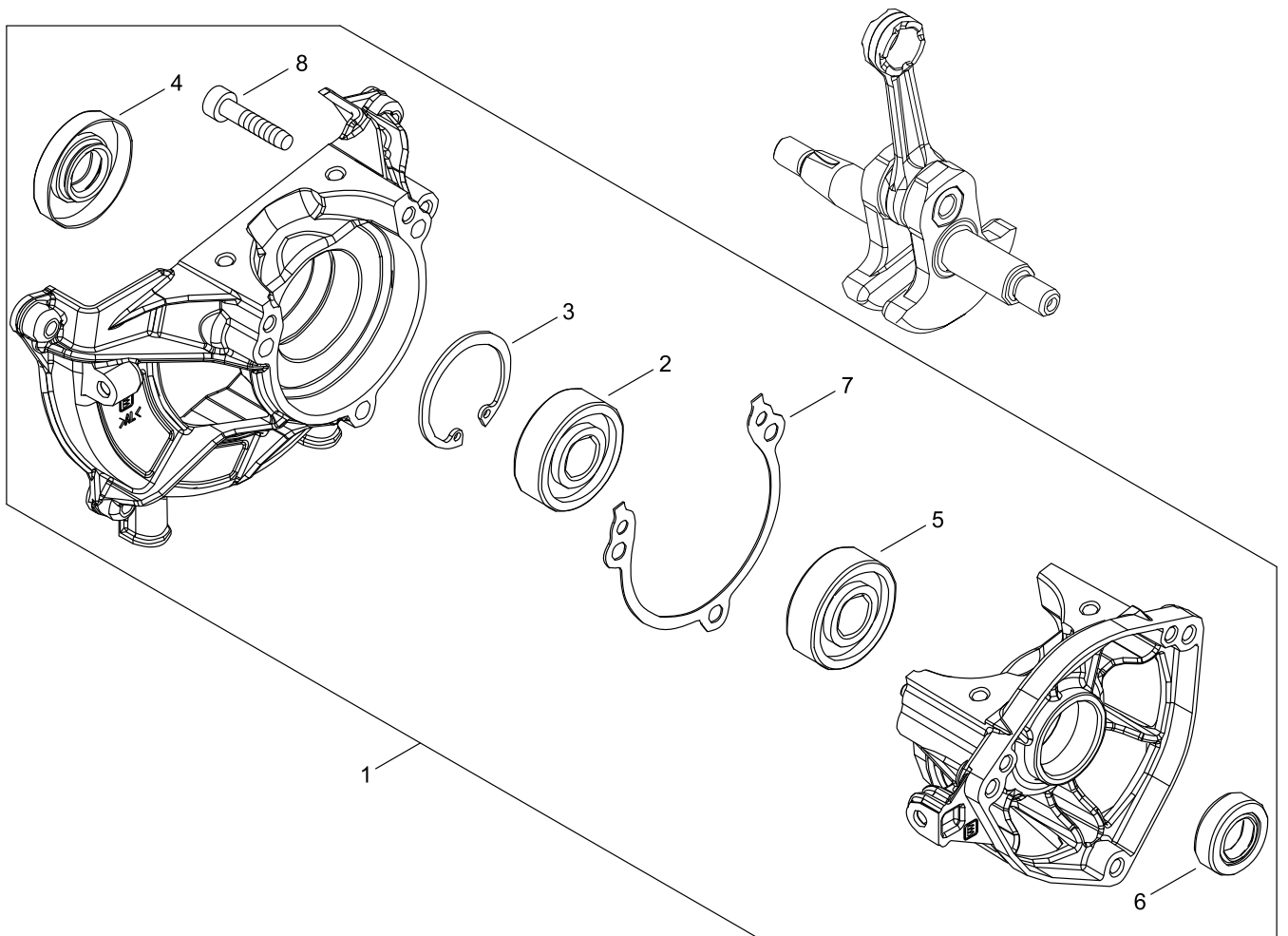
## CYLINDER, PISTON, CRANKSHAFT



## CYLINDER, PISTON, CRANKSHAFT

KEY NO	LV(+)	Part No	Description	Qty	Standard	Comment
1		A011-001540	CRANKSHAFT,ASY	1		
2		A130-002350	CYLINDER	1		
3		V100-000870	GASKET,CYL	1	T:0.8	
4		V805-000210	BOLT, TORX 5	4	TB-5*20 12.9	
5		P100-005250	PISTON KIT	1		
6	+	A101-000740	RING, PISTON	2	36*1.2*1.5	
7	+	100013-27430	PIN, PISTON	1		
8	+	100014-53630	SPACER, PISTON PIN	2		
9	+	100012-16131	BEARING, NEEDLE	1		
10	+	100015-03931	CIRCLIP, PISTON PIN	2		
11		V485-003060	LEAD	1	CB104,LA105 L230	
12		A160-003460	COVER,CYLINDER	1		
13		X503-014730	LABEL,MODEL	1	SRM-3020TES	
14		X524-001901	LABEL	1		
15		V805-000140	BOLT, TORX 5	1	TB-5*12 10.9	
16		V835-000010	BOLT, TORX 5	1	TB-5*12 10.9	
17		A160-003470	COVER,CYLINDER	1	INNER COVER	
18		V805-000140	BOLT, TORX 5	1	TB-5*12 10.9	

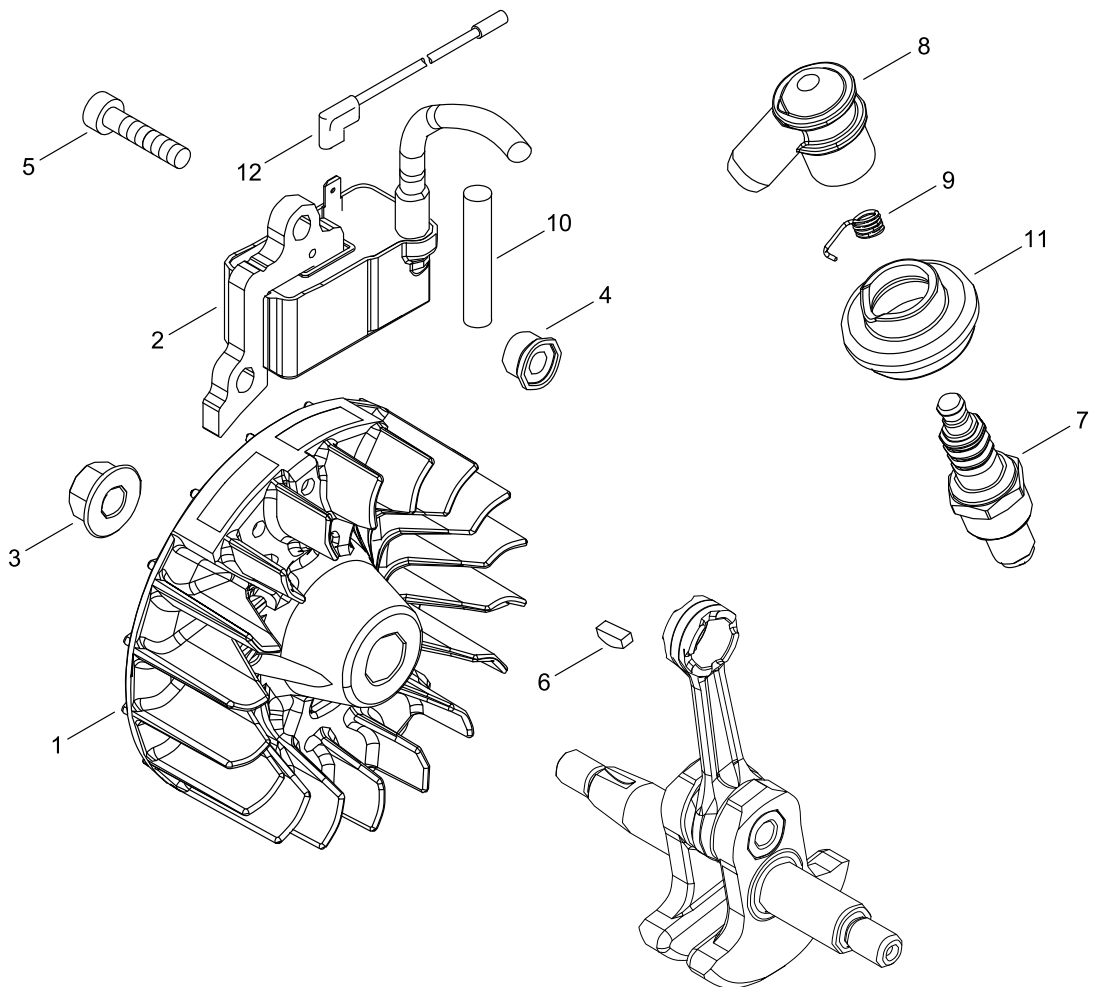
## CRANKCASE



## CRANKCASE

KEY NO	LV(+)	Part No	Description	Qty	Standard	Comment
1		P100-005260	CRANKCASE SET	1		
2	+	94035-36201	BEARING BALL	1	6201X3JR2C3	
3	+	900702-00032	CIRCLIP 32	1	CR-32	
4	+	100212-03930	OILSEAL	1	ISCX12*32*5.5	
5	+	94035-36201	BEARING BALL	1	6201X3JR2C3	
6	+	100213-05530	OILSEAL	1	ISCD 12 22 7	
7	+	V102-000310	GASKET,CRANKCASE	1	T:0.5	
8	+	V805-000220	BOLT, TORX 5	3	TB-5*25 12.9	

## MAGNETO

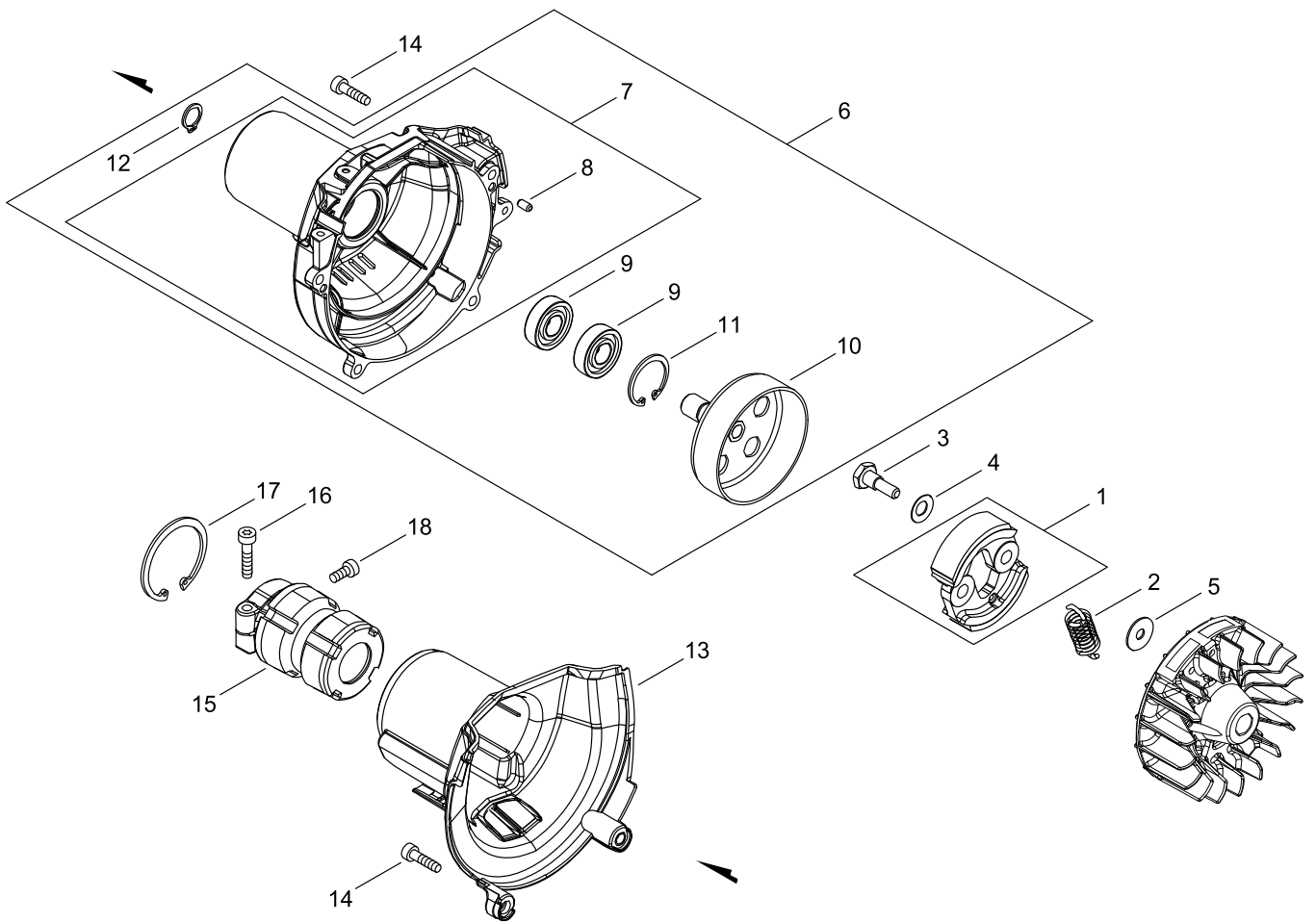


## MAGNETO

KEY NO	LV(+)	Part No	Description	Qty	Standard	Comment
1		A409-001350	ROTOR, MAGNETO	1	ID#R10036	
2		A411-001780	COIL, IGNITION	1	ID#A10088	
3		900515-00008	NUT, FLANGE 8	1	8	
4		V323-000130	WASHER,CIRCULAR 5	2		
5		V835-000030	BOLT, TORX 5	2	TB-5*20 10.9	
6		100142-12330	KEY, WOODRUFF	1		
7		A425-000060	SPARKPLUG	1	CMR7H	
8		A427-000190	CAP,SPARK PLUG	1		
9		A426-000010	TERMINAL,SPARKPLUG	1		
10		V475-007550	TUBE	1		
11		A429-000040	COVER,CAP	1		
12		V485-003050	LEAD	1	CB104/L245	



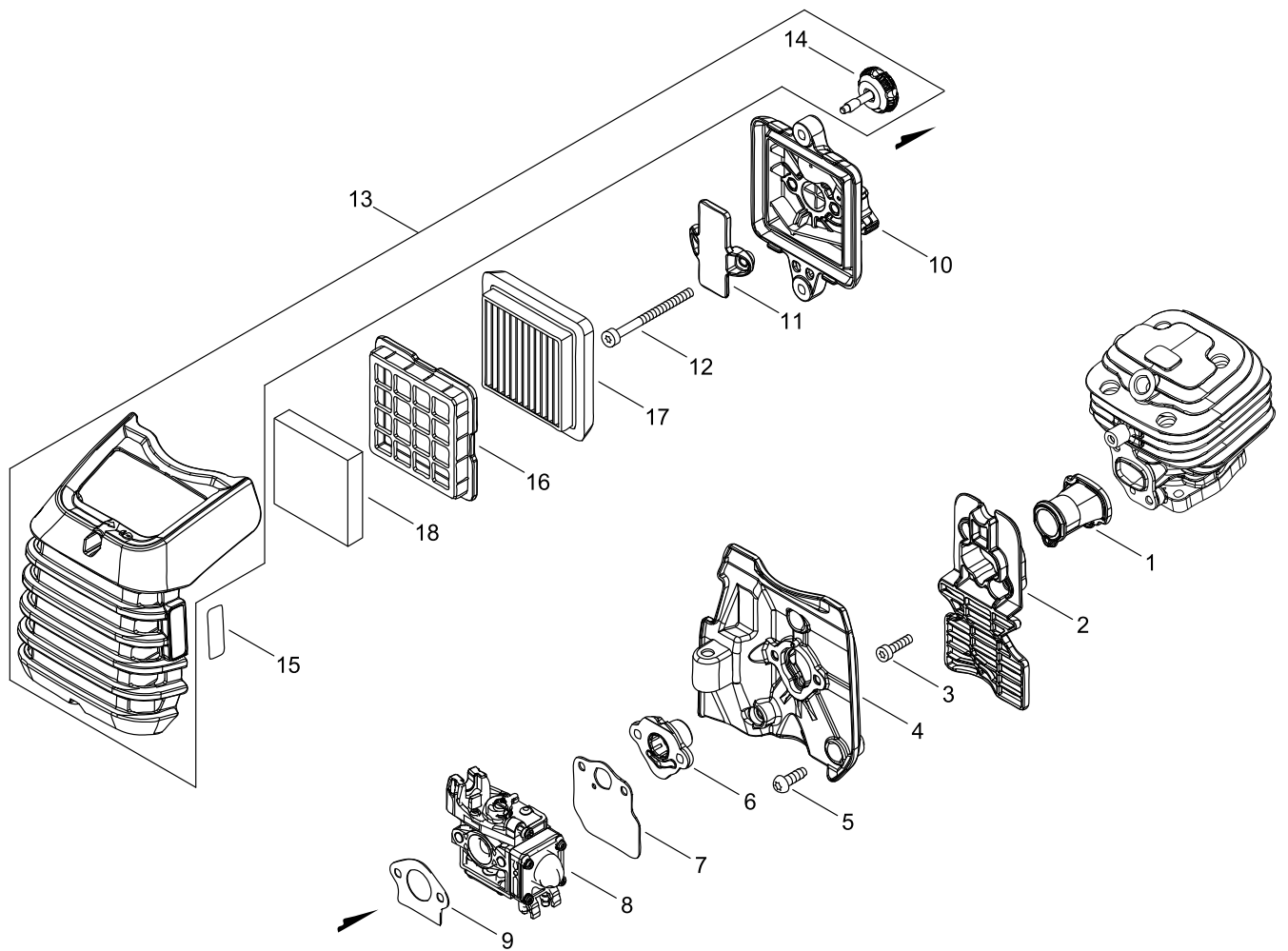
## CLUTCH



## CLUTCH

KEY NO	LV(+)	Part No	Description	Qty	Standard	Comment
1		P100-005270	CLUTCH SHOE SET	1		
2		A566-000330	SPRING, CLUTCH	1		
3		175046-56030	SHAFT, CLUTCH	2		
4		175049-56030	WASHER	2	8.5*16*0.5	
5		175048-05530	WASHER (I)	2	6.2*19*1.0	
6		P100-005280	FAN COVER ASY	1		
7	+	A172-003410	COVER,FAN	1		
8	++	900330-40080	PIN F 4*8	2	4*8	
9	+	900807-06001	BEARING, BALL 6001	2	6001V(LB)	
10	+	A556-001820	DRUM, CLUTCH	1	64	
11	+	900702-00028	CIRCLIP 28	1	CR-28	
12	+	900701-00012	CIRCLIP 12	1	CS-12	
13		A413-000120	BOOT	1		
14		V805-000160	BOLT, TORX 5	4	TB-5*20 10.9	
15		V420-000970	CUSHION	1		
16		V805-000170	BOLT, TORX 5	1	TB-5*25 10.9	
17		900702-00045	RING, RETAINING(IN)	1	CR-45	
18		V805-000140	BOLT, TORX 5	1	TB-5*12 10.9	

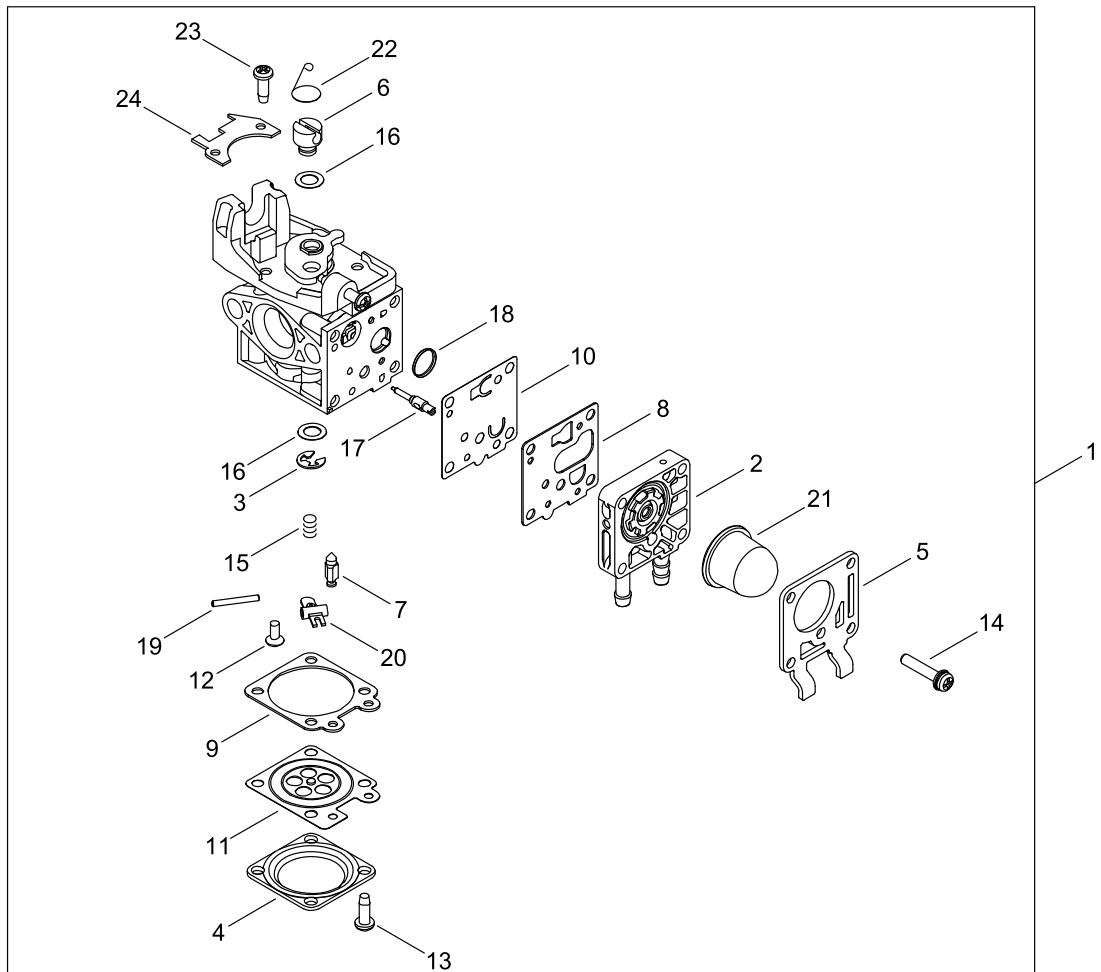
## AIR CLEANER, CARBURETOR



## AIR CLEANER, CARBURETOR

KEY NO	LV(+)	Part No	Description	Qty	Standard	Comment
1		A202-000330	BELLOWS, INTAKE	1		
2		A206-000060	HOLDER, BELLOWS	1		
3		V805-000150	BOLT, TORX 5	2	TB-5*16 10.9	
4		A209-001080	PLATE, INSULATOR	1		
5		V805-000000	BOLT, TORX 5	3	TT-5*16 DG 10.9	
6		A209-001090	PLATE, INSULATOR	1		
7		V103-002010	GASKET,INTAKE	1	T:1.0	
8		A021-004830	CARBURETOR, DIAPHRAGM	1		
9		V103-001900	GASKET,INTAKE	1		
10		P021-050880	CLEANER CASE ASY	1		
11		A244-000320	PLATE, PREVENT	1		
12		V805-000340	BOLT, TORX 5	2	TB-5*60 10.9	
13		P100-005290	CLEANER COVER ASY	1		
14	+	V299-000640	KNOB,FASTENER	2		
15		890332-52730	LABEL, CHOKE	1		
16		A227-000050	PLATE, ELEMENT	1		
17		A226-002030	ELEMENT, AIR FILTER	1		
18		A226-002040	ELEMENT, AIR FILTER	1	HP-70	

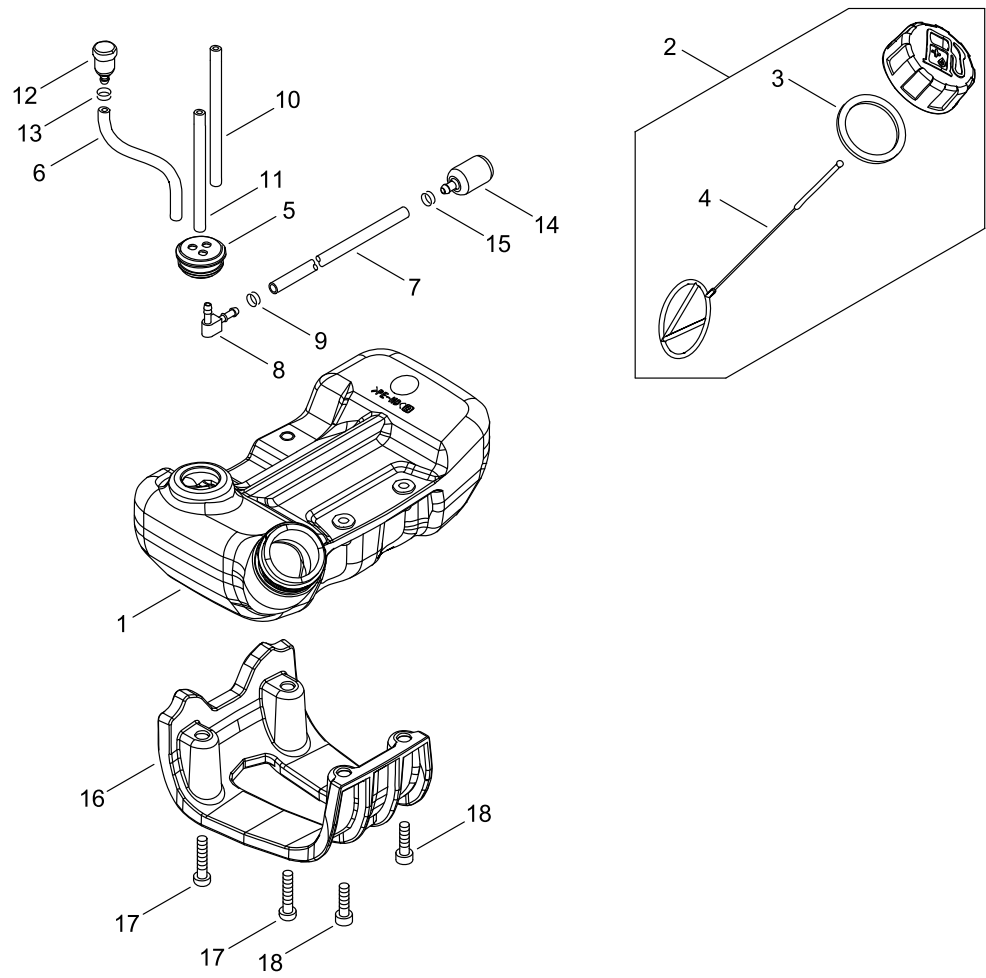
## CARBURETOR



## CARBURETOR

KEY NO	LV(+)	Part No	Description	Qty	Standard	Comment
1		A021-004830	CARBURETOR, DIAPHRAGM	1		
2	+	P003-006120	BODY ASSEMBLY, PUMP	1		
3	+	123173-07930	CLIP	1		
4	+	123142-03930	COVER, M. DIAPHRAGM	1		
5	+	P003-004510	COVER, FUEL PUMP	1		
6	+	P003-005850	SWIVEL	1		
7	+	123137-19830	VALVE, INLET NEEDLE	1		
8	+	P003-004530	GASKET, FUEL PUMP	1		
9	+	123140-27230	GASKET,M. DIAPHRAGM	1		
10	+	P003-004540	DIAPHRAGM, FUEL PUMP	1		
11	+	P003-001670	DIAPHRAGM, METERING	1		
12	+	P003-005860	SCREW	1		
13	+	P003-004560	SCREW	4		
14	+	P003-004570	SCREW	4		
15	+	P003-005870	SPRING	1		
16	+	P003-001710	WASHER	2		
17	+	P003-005880	NEEDLE	1		
18	+	123126-10631	SCREEN, INLET	1		
19	+	123138-03930	PIN, METERING LEVER	1		
20	+	P003-001630	LEVER, METERING	1		
21	+	123181-09560	PUMP, PRIMER	1		
22	+	P003-005890	CLIP	1		
23	+	123114-40630	SCREW	3		
24	+	P003-005900	PLATE	1		

## FUEL TANK

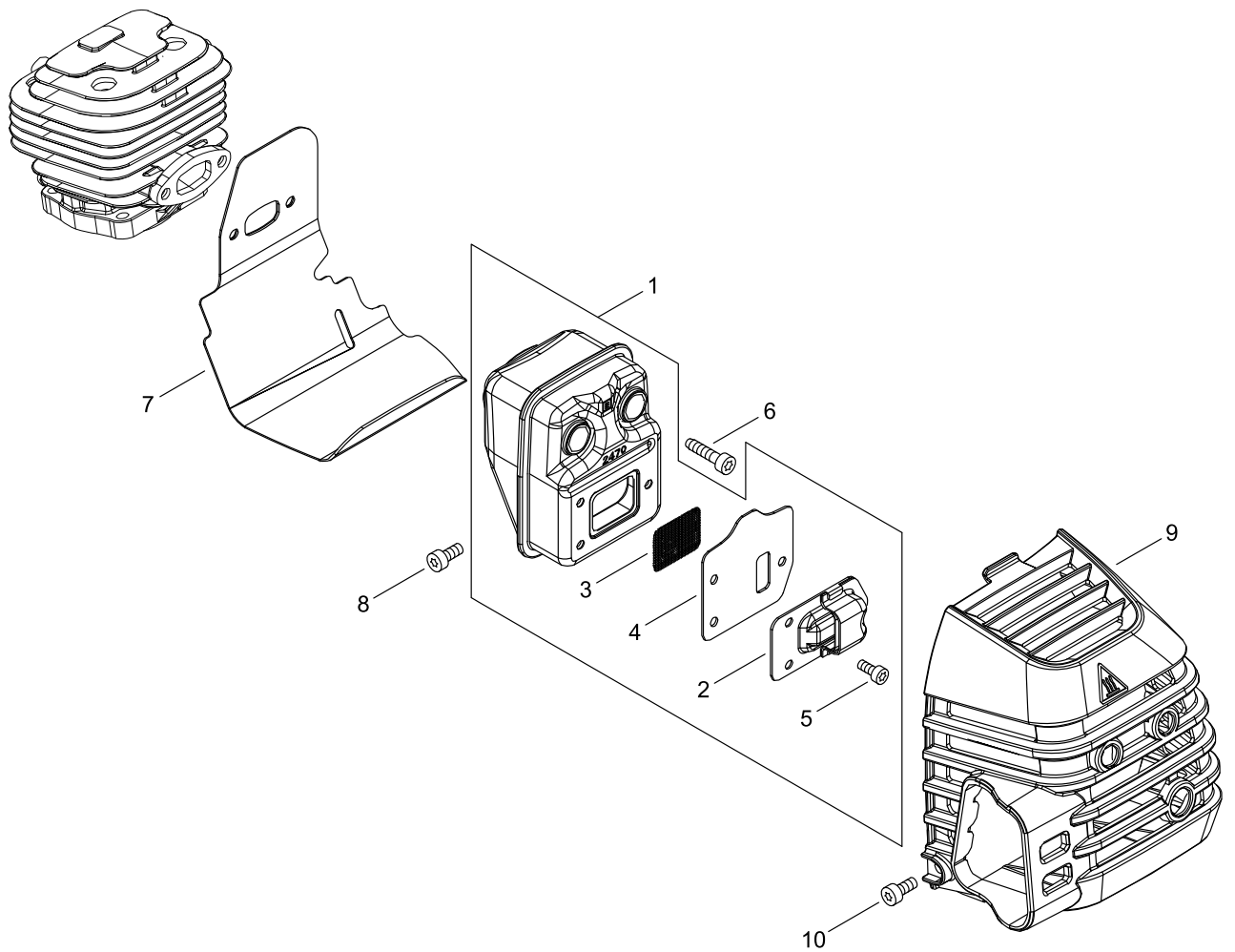


## FUEL TANK

KEY NO	LV(+)	Part No	Description	Qty	Standard	Comment
1		A350-002500	TANK, FUEL	1		
2		P021-012210	CAP,FUEL ASY	1		
3	+	131016-55830	GASKET, FUEL CAP	1		
4	+	A365-000060	CONNECTOR,CAP	1	L=123	
5		132115-55930	GROMMET, FUEL	1		
6		V471-001200	PIPE	1	3*5*70 NBR	
7		V470-002360	PIPE	1	3*5*140*35	
8		V186-000500	JOINT,PIPE	1		
9		V490-001240	CLIP	1		
10		V471-003320	PIPE	1	3*6*95	
11		132010-49730	PIPE 3*6*85	1	3*6*85 YL	
12		A356-000031	VALVE,CHECK	1		
13		V490-001230	CLIP	1		
14		A369-000470	STRAINER, FUEL	1		
15		V490-001240	CLIP	1		
16		A175-000400	STAND	1		
17		V805-000230	BOLT, TORX 5	2	TT-5*25 DG 10.9	
18		V805-000160	BOLT, TORX 5	2	TB-5*20 10.9	



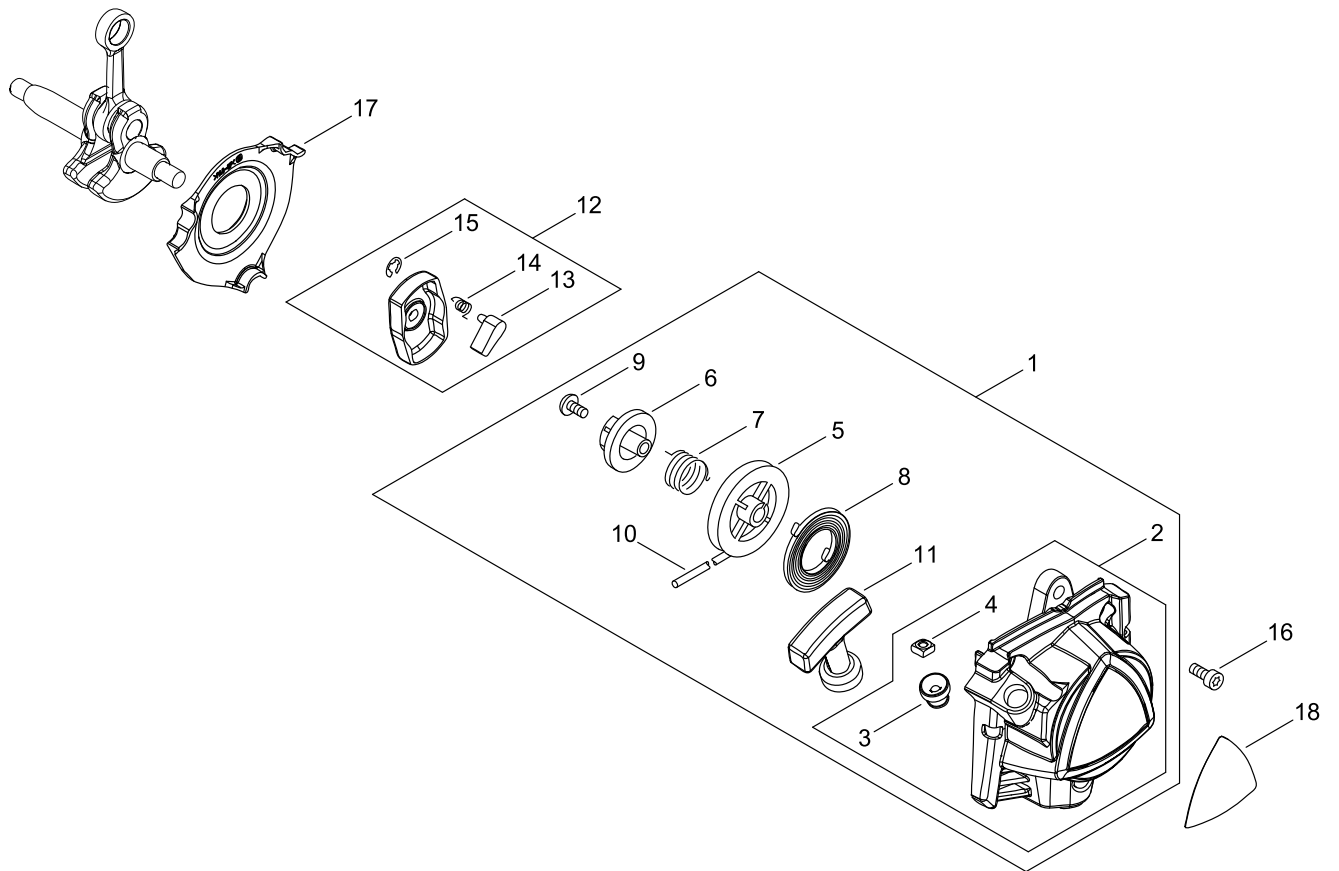
## MUFFLER



## MUFFLER

KEY NO	LV(+)	Part No	Description	Qty	Standard	Comment
1		P100-005300	MUFFLER ASY	1		
2	+	A313-002080	GUIDE, EXHAUST	1	ID#2480	
3	+	145862-40630	SCREEN, MUFFLER	1		
4	+	V104-002380	GASKET,EXHAUST	1	T:1.0	
5	+	V804-000030	BOLT, TORX 4	3	TB-4*8 10.9	
6		V805-000210	BOLT, TORX 5	2	TB-5*20 12.9	
7		V104-002390	GASKET,EXHAUST	1		
8		V805-000300	BOLT, TORX 5	1	TB-5*12 12.9	
9		A320-001290	COVER,MUFFLER	1		
10		V835-000010	BOLT, TORX 5	2	TB-5*12 10.9	

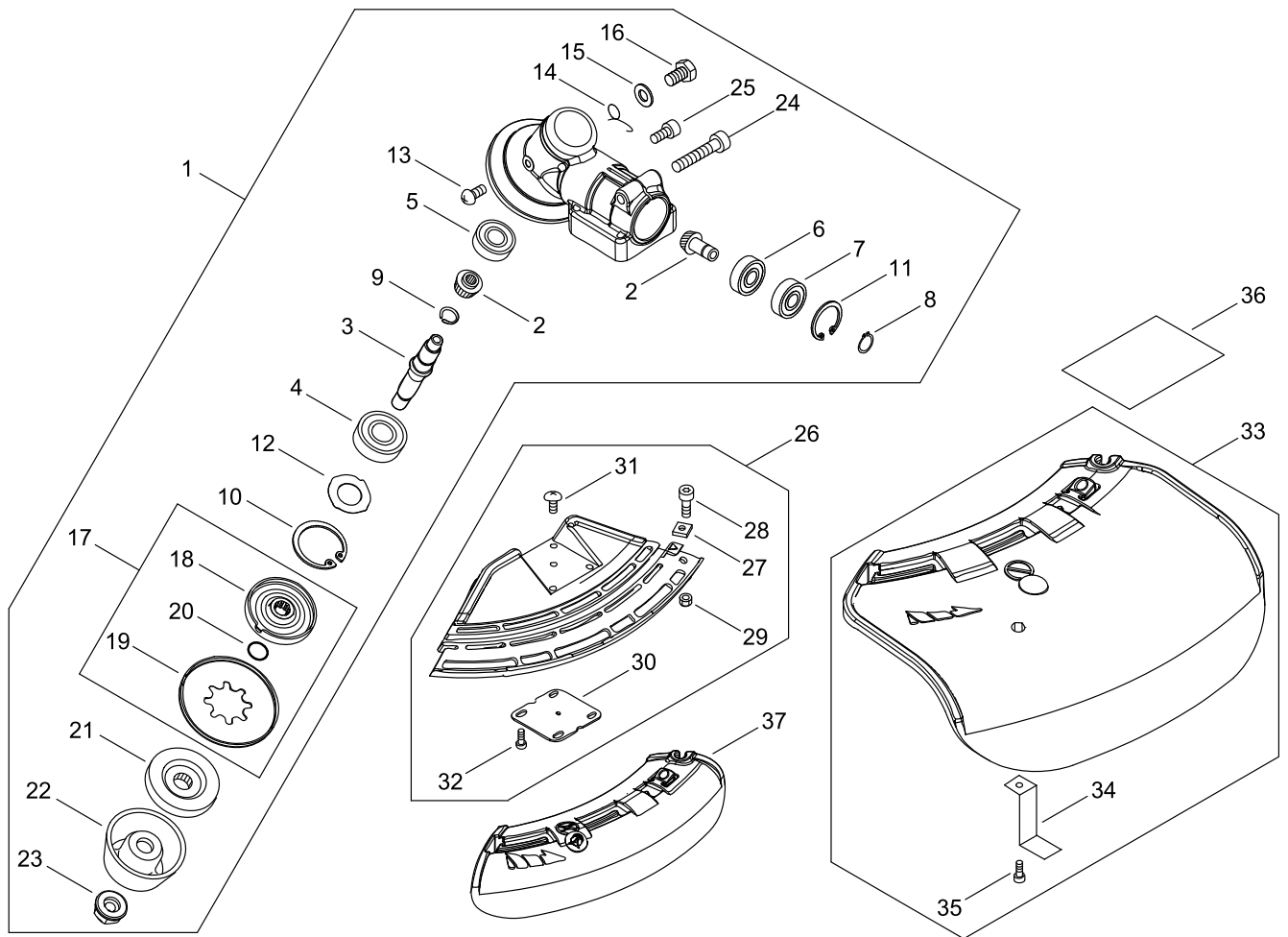
## RECOIL STARTER, PULLY



## RECOIL STARTER, PULLY

KEY NO	LV(+)	Part No	Description	Qty	Standard	Comment
1		A051-003340	STARTER,RECOIL ASY	1		
2	+	P022-050890	STARTER,RECOIL	1		
3	++	P022-045770	GUIDE, ROPE	1		
4	++	P022-022010	NUT	2		
5	+	P022-008470	DRUM	1		
6	+	P022-008460	PLATE, CAM	1		
7	+	P022-008450	SPRING,DAMPER	1		
8	+	177220-40630	SPRING, REWIND	1		
9	+	177236-61830	SCREW	1		
10	+	P022-050900	ROPE	1	3.5*750	
11	+	P022-050910	GRIP, STARTER	1		
12		A052-000190	PULLEY,ASM STARTER	1		
13	+	P022-008480	PAWL, STARTER	2		
14	+	177234-40630	SPRING, RETURN	2		
15	+	P022-002100	E-RING	2	4	
16		V805-000150	BOLT, TORX 5	3	TB-5*16 10.9	
17		A127-000530	COVER,DUST	1		
18		X547-003360	LABEL,ECHO	1	SRM-3020TES	

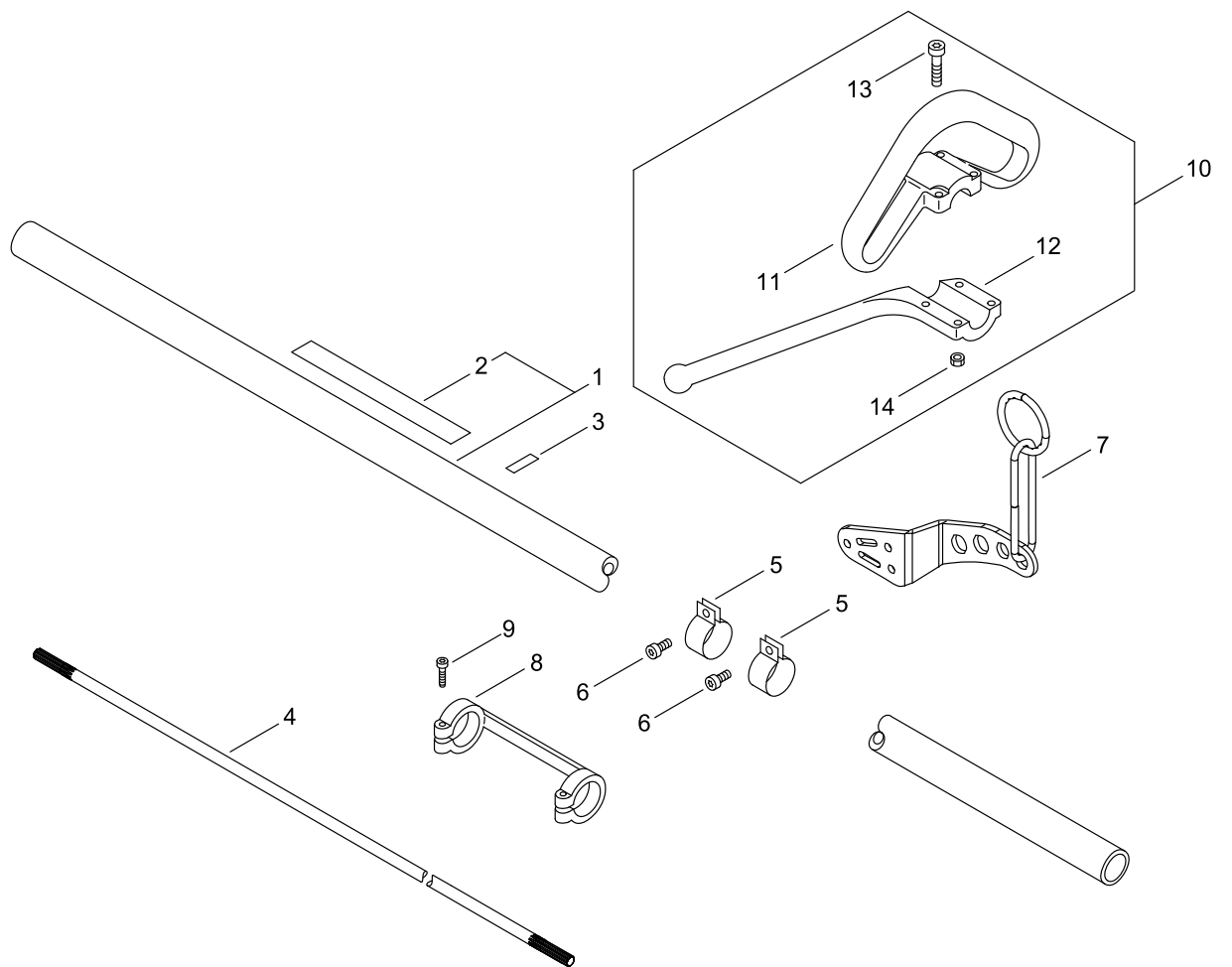
## GEAR CASE, SHIELD



## GEAR CASE, SHIELD

KEY NO	LV(+)	Part No	Description	Qty	Standard	Comment
1		P100-004840	CASE,GEAR ASY	1		
2	+	V000-000260	GEAR SET, BEVEL	1		
3	+	C534-001080	SHAFT, GEAR	1		
4	+	900812-06201	BEARING, BALL 6201	1	6201DDU(LLU)	
5	+	900810-00629	BEARING, BALL 629	1	629	
6	+	900800-00609	BEARING, BALL 609	1	609	
7	+	900803-00609	BEARING, BALL 609	1	609Z	
8	+	900701-00009	CIRCLIP 9	1	CS-9	
9	+	900706-00012	CIRCLIP 12	1	WR-12	
10	+	900702-00032	CIRCLIP 32	1	CR-32	
11	+	900702-00025	CIRCLIP 25	1	CR-25	
12	+	V340-000180	WASHER	1		
13	+	900220-04006	SCREW 4*6	1	4*6	
14	+	V452-001310	SPRING,TORSION	1		
15	+	900603-50008	WASHER	1	8.5*18*0.8T	
16	+	610434-50031	BOLT 8* 8	1	M8*8	
17	+	610313-52932	FIXTURE,BLADE	1		
18	++	610313-52132	FIXTURE,BLADE	1		
19	++	610352-56830	PLATE, CUP	1		
20	++	900720-00012	O-RING 12	1	P-12	
21	+	610314-52130	PLATE, ADAPTER (L)	1		
22	+	699229-56830	PLATE, COVER	1		
23	+	610320-52130	NUT 10	1		
24	+	V806-000020	BOLT, TORX 6	1	TB-6*25 10.9	
25	+	V805-000130	BOLT, TORX 5	1	TB-5*10 10.9	
26		P021-050810	SHIELD BLADE ASY	1		
27	+	900565-00005	NUT	1	5	
28	+	V805-000170	BOLT, TORX 5	1	TB-5*25 10.9	
29	+	900562-00005	NUT, LOCK	1	5	
30	+	C552-000200	PLATE, SHIELD	1		
31	+	91316-04010	SCREW	1	M4*10	
32	+	V805-000260	BOLT, TORX 5	4	TB5*25 10.9	
33		P021-043981	SHIELD ASY, BLADE	1		
34	+	C554-000001	KNIFE,CORD	1		
35	+	V805-000150	BOLT, TORX 5	1	TB-5*16 10.9	
36		X530-000560	LABEL,EYE CATCHER	1	HIGH TORQUE	
37		C550-000541	SHIELD, BLADE	1		

## MAIN PIPE, HANDLE

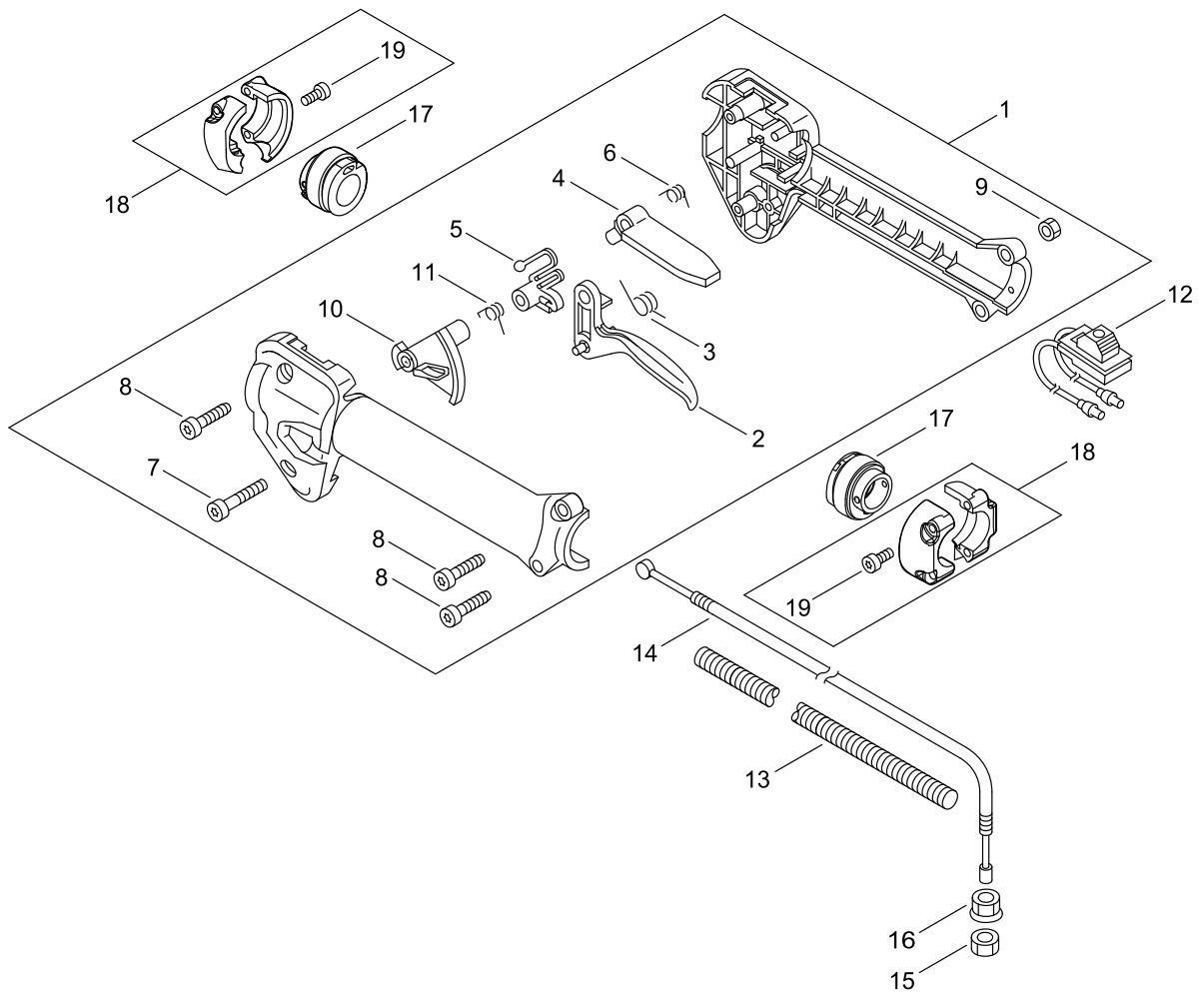


## MAIN PIPE, HANDLE

KEY NO	LV(+)	Part No	Description	Qty	Standard	Comment
1		P100-005430	MAIN PIPE ASY	1		
2	+	890617-43130	LABEL,CAUTION	1		
3		890152-04930	LABEL, CAUTION	1		
4		C504-000050	SHAFT,DRIVE	1	7*1540	
5		V495-001010	BAND	2		
6		V805-000140	BOLT, TORX 5	2	TB-5*12 10.9	
7		C624-000020	HANGER,HARNESS	1		
8		V363-000320	COLLAR,24	1		
9		V804-000020	BOLT, TORX 4	2	TT-4*20 DG 10.9	
10		P021-050970	FRONT HANDLE ASY	1		
11	+	C400-000220	HANDLE,FRONT	1		
12	+	351643-51730	BRACET, HANDLE	1		
13	+	V805-000050	BOLT, TORX 5	4	TB-5*30 10.9	
14	+	900500-00005	NUT 5	4	5	



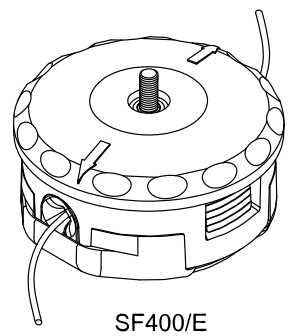
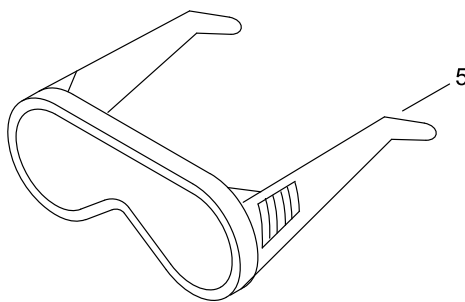
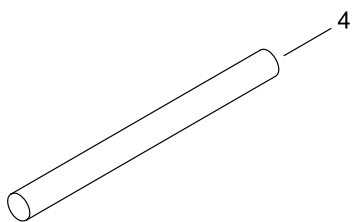
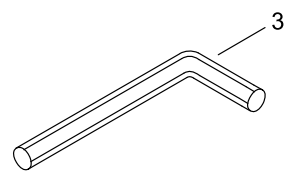
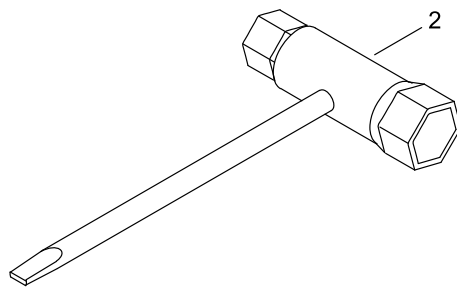
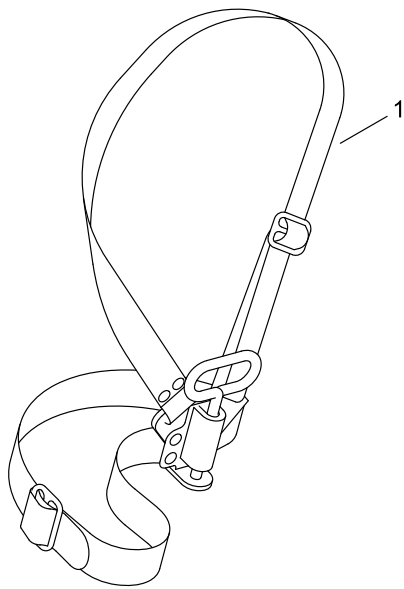
## THROTTLE



## THROTTLE

KEY NO	LV(+)	Part No	Description	Qty	Standard	Comment
1		P100-004850	THROTTLE ASY	1		
2	+	C450-000110	TRIGGER,THROTTLE	1		
3	+	178043-42230	SPRING, THR. RETURN	1		
4	+	178090-52632	LOCKOUT, T. CONTROL	1		
5	+	C461-000000	LATCH,THROTTLE	1		
6	+	178013-52630	SPRING, THR. LOCK	1		
7	+	V805-000060	BOLT, TORX 5	1	TB-5*35 10.9	
8	+	V805-000170	BOLT, TORX 5	3	TB-5*25 10.9	
9	+	900500-00005	NUT 5	4	5	
10	+	C461-000010	LATCH,THROTTLE	1		
11	+	V452-000120	SPRING,TORSION	1		
12		A440-003020	SWITCH, ON OFF	1		
13		V475-009270	TUBE	1	7*85	
14		V430-004940	CABLE,BOWDEN	1		
15		900502-00006	NUT 6 (3N)	1	3N6	
16		900518-00006	NUT, FLANGE	1	6	
17		V420-000960	CUSHION	2		
18		P021-050990	HANDLE FIXTURE ASY	2		
19	+	V805-000170	BOLT, TORX 5	4	TB-5*25 10.9	

# ACCESSORIES



## ACCESSORIES

KEY NO	LV(+)	Part No	Description	Qty	Standard	Comment
1		301001-46732	HARNESS, SHOULDER	1	L1910,L1550	
2		895415-66630	WRENCH, SPCKET	1		
3		X605-000170	TOOL,L WRENCH	1		
4		X606-000080	TOOL,BAR	1	5*120	
5		X690-000080	GOGGLE	1	SI CHINA, Z87.1	

# NUMERICAL PARTS INDEX

Part No	Part description	Page	Part No	Part description	Page	Part No	Part description	Page
100012-1-6131	BEARING, NEEDLE	2	177236-6-1830	SCREW	18	900562-0-0005	NUT, LOCK	20
100013-2-7430	PIN, PISTON	2	178013-5-2630	SPRING, THR. LOCK	24	900565-0-0005	NUT	20
100014-5-3630	SPACER, PISTON PIN	2	178043-4-2230	SPRING, THR. RETURN	24	900603-5-0008	WASHER	20
100015-0-3931	CIRCLIP, PISTON PIN	2	178090-5-2632	LOCKOUT, T. CONTROL	24	900701-0-0009	CIRCLIP 9	20
100142-1-2330	KEY, WOODRUFF	6	301001-4-6732	HARNES, SHOULDER	26	900701-0-0012	CIRCLIP 12	8
100212-0-3930	OILSEAL	4	351643-5-1730	BRACET, HANDLE	22	900702-0-0025	CIRCLIP 25	20
100213-0-5530	OILSEAL	4	610313-5-2132	FIXTURE, BLADE	20	900702-0-0028	CIRCLIP 28	8
123114-4-0630	SCREW	12	610313-5-2932	FIXTURE, BLADE	20	900702-0-0032	CIRCLIP 32	4
123126-1-0631	SCREEN, INLET	12	610314-5-2130	PLATE, ADAPTER (L)	20	900702-0-0032	CIRCLIP 32	20
123137-1-9830	VALVE, INLET NEEDLE	12	610320-5-2130	NUT 10	20	900702-0-0045	RING, RETAINING (IN)	8
123138-0-3930	PIN, METERING LEVER	12	610352-5-6830	PLATE, CUP	20	900706-0-0012	CIRCLIP 12	20
123140-2-7230	GASKET, M. DIAPHRAGM	12	610434-5-0031	BOLT 8* 8	20	900720-0-0012	O-RING 12	20
123142-0-3930	COVER, M. DIAPHRAGM	12	699229-5-6830	PLATE, COVER	20	900800-0-0609	BEARING, BALL 609	20
123173-0-7930	CLIP	12	890152-0-4930	LABEL, CAUTION	22	900803-0-0609	BEARING, BALL 609	20
123181-0-9560	PUMP, PRIMER	12	890332-5-2730	LABEL, CHOKE	10	900807-0-6001	BEARING, BALL 6001	8
131016-5-5830	GASKET, FUEL CAP	14	890617-4-3130	LABEL, CAUTION	22	900810-0-0629	BEARING, BALL 629	20
132010-4-9730	PIPE 3*6*85	14	895415-6-6630	WRENCH, SPCKET	26	900812-0-6201	BEARING, BALL 6201	20
132115-5-5930	GROMMET, FUEL	14	900220-0-4006	SCREW 4*6	20	91316-04-010	SCREW	20
145862-4-0630	SCREEN, MUFFLER	16	900330-4-0080	PIN F 4*8	8	94035-36-201	BEARING BALL	4
175046-5-6030	SHAFT, CLUTCH	8	900500-0-0005	NUT 5	22	A011-00-1540	CRANKSHAFT, ASY	2
175048-0-5530	WASHER (I)	8	900500-0-0005	NUT 5	24	A021-00-4830	CARBURETOR, DIAPHRAGM	10
175049-5-6030	WASHER	8	900502-0-0006	NUT 6 (3N)	24	A021-00-4830	CARBURETOR, DIAPHRAGM	12
177220-4-0630	SPRING, REWIND	18	900515-0-0008	NUT, FLANGE 8	6	A051-00-3340	STARTER, RECOIL ASY	18
177234-4-0630	SPRING, RETURN	18	900518-0-0006	NUT, FLANGE	24	A052-00-0190	PULLEY, ASM STARTER	18

# NUMERICAL PARTS INDEX

Part No	Part description	Page	Part No	Part description	Page	Part No	Part description	Page
A101-00-0740	RING, PISTON	2	A425-00-0060	SPARKPLUG	6	P003-00-4570	SCREW	12
A127-00-0530	COVER,DUST	18	A426-00-0010	TERMINAL, SPARKPLUG	6	P003-00-5850	SWIVEL	12
A130-00-2350	CYLINDER	2	A427-00-0190	CAP,SPARK PLUG	6	P003-00-5860	SCREW	12
A160-00-3460	COVER,CYLINDER	2	A429-00-0040	COVER,CAP	6	P003-00-5870	SPRING	12
A160-00-3470	COVER,CYLINDER	2	A440-00-3020	SWITCH, ON OFF	24	P003-00-5880	NEEDLE	12
A172-00-3410	COVER,FAN	8	A556-00-1820	DRUM, CLUTCH	8	P003-00-5890	CLIP	12
A175-00-0400	STAND	14	A566-00-0330	SPRING, CLUTCH	8	P003-00-5900	PLATE	12
A202-00-0330	BELLOWS, INTAKE	10	C400-00-0220	HANDLE,FRONT	22	P003-00-6120	BODY ASSEMBLY, PUMP	12
A206-00-0060	HOLDER, BELLOWS	10	C450-00-0110	TRIGGER, THROTTLE	24	P021-01-2210	CAP,FUEL ASY	14
A209-00-1080	PLATE, INSULATOR	10	C461-00-0000	LATCH,THROTTLE	24	P021-04-3981	SHIELD ASY, BLADE	20
A209-00-1090	PLATE, INSULATOR	10	C461-00-0010	LATCH,THROTTLE	24	P021-05-0810	SHIELD BLADE ASY	20
A226-00-2030	ELEMENT, AIR FILTER	10	C504-00-0050	SHAFT,DRIVE	22	P021-05-0880	CLEANER CASE ASY	10
A226-00-2040	ELEMENT, AIR FILTER	10	C534-00-1080	SHAFT, GEAR	20	P021-05-0970	FRONT HANDLE ASY	22
A227-00-0050	PLATE, ELEMENT	10	C550-00-0541	SHIELD, BLADE	20	P021-05-0990	HANDLE FIXTURE ASY	24
A244-00-0320	PLATE, PREVENT	10	C552-00-0200	PLATE, SHIELD	20	P022-00-2100	E-RING	18
A313-00-2080	GUIDE, EXHAUST	16	C554-00-0001	KNIFE,CORD	20	P022-00-8450	SPRING,DAMPER	18
A320-00-1290	COVER,MUFFLER	16	C624-00-0020	HANGER,HARNESS	22	P022-00-8460	PLATE, CAM	18
A350-00-2500	TANK, FUEL	14	P003-00-1630	LEVER, METERING	12	P022-00-8470	DRUM	18
A356-00-0031	VALVE,CHECK	14	P003-00-1670	DIAPHRAGM, METERING	12	P022-00-8480	PAWL, STARTER	18
A365-00-0060	CONNECTOR,CAP	14	P003-00-1710	WASHER	12	P022-02-2010	NUT	18
A369-00-0470	STRAINER, FUEL	14	P003-00-4510	COVER, FUEL PUMP	12	P022-04-5770	GUIDE, ROPE	18
A409-00-1350	ROTOR, MAGNETO	6	P003-00-4530	GASKET, FUEL PUMP	12	P022-05-0890	STARTER,RECOIL	18
A411-00-1780	COIL, IGNITION	6	P003-00-4540	DIAPHRAGM, FUEL PUMP	12	P022-05-0900	ROPE	18
A413-00-0120	BOOT	8	P003-00-4560	SCREW	12	P022-05-0910	GRIP, STARTER	18

# NUMERICAL PARTS INDEX

Part No	Part description	Page	Part No	Part description	Page	Part No	Part description	Page
P100-00-4840	CASE,GEAR ASY	20	V452-00-0120	SPRING,TORSION	24	V805-00-0160	BOLT, TORX 5	8
P100-00-4850	THROTTLE ASY	24	V452-00-1310	SPRING,TORSION	20	V805-00-0160	BOLT, TORX 5	14
P100-00-5250	PISTON KIT	2	V470-00-2360	PIPE	14	V805-00-0170	BOLT, TORX 5	8
P100-00-5260	CRANKCASE SET	4	V471-00-1200	PIPE	14	V805-00-0170	BOLT, TORX 5	20
P100-00-5270	CLUTCH SHOE SET	8	V471-00-3320	PIPE	14	V805-00-0170	BOLT, TORX 5	24
P100-00-5280	FAN COVER ASY	8	V475-00-7550	TUBE	6	V805-00-0210	BOLT, TORX 5	2
P100-00-5290	CLEANER COVER ASY	10	V475-00-9270	TUBE	24	V805-00-0210	BOLT, TORX 5	16
P100-00-5300	MUFFLER ASY	16	V485-00-3050	LEAD	6	V805-00-0220	BOLT, TORX 5	4
P100-00-5430	MAIN PIPE ASY	22	V485-00-3060	LEAD	2	V805-00-0230	BOLT, TORX 5	14
V000-00-0260	GEAR SET, BEVEL	20	V490-00-1230	CLIP	14	V805-00-0260	BOLT, TORX 5	20
V100-00-0870	GASKET,CYL	2	V490-00-1240	CLIP	14	V805-00-0300	BOLT, TORX 5	16
V102-00-0310	GASKET, CRANKCASE	4	V495-00-1010	BAND	22	V805-00-0340	BOLT, TORX 5	10
V103-00-1900	GASKET,INTAKE	10	V804-00-0020	BOLT, TORX 4	22	V806-00-0020	BOLT, TORX 6	20
V103-00-2010	GASKET,INTAKE	10	V804-00-0030	BOLT, TORX 4	16	V835-00-0010	BOLT, TORX 5	2
V104-00-2380	GASKET,EXHAUST	16	V805-00-0000	BOLT, TORX 5	10	V835-00-0010	BOLT, TORX 5	16
V104-00-2390	GASKET,EXHAUST	16	V805-00-0050	BOLT, TORX 5	22	V835-00-0030	BOLT, TORX 5	6
V186-00-0500	JOINT,PIPE	14	V805-00-0060	BOLT, TORX 5	24	X503-01-4730	LABEL,MODEL	2
V299-00-0640	KNOB,FASTENER	10	V805-00-0130	BOLT, TORX 5	20	X524-00-1901	LABEL	2
V323-00-0130	WASHER,CIRCULAR 5	6	V805-00-0140	BOLT, TORX 5	2	X530-00-0560	LABEL,EYE CATCHER	20
V340-00-0180	WASHER	20	V805-00-0140	BOLT, TORX 5	8	X547-00-3360	LABEL,ECHO	18
V363-00-0320	COLLAR,24	22	V805-00-0140	BOLT, TORX 5	22	X605-00-0170	TOOL,L WRENCH	26
V420-00-0960	CUSHION	24	V805-00-0150	BOLT, TORX 5	10	X606-00-0080	TOOL,BAR	26
V420-00-0970	CUSHION	8	V805-00-0150	BOLT, TORX 5	18	X690-00-0080	GOGGLE	26
V430-00-4940	CABLE,BOWDEN	24	V805-00-0150	BOLT, TORX 5	20			