

SRM-237TES/L

Serial Number

38000001-38999999

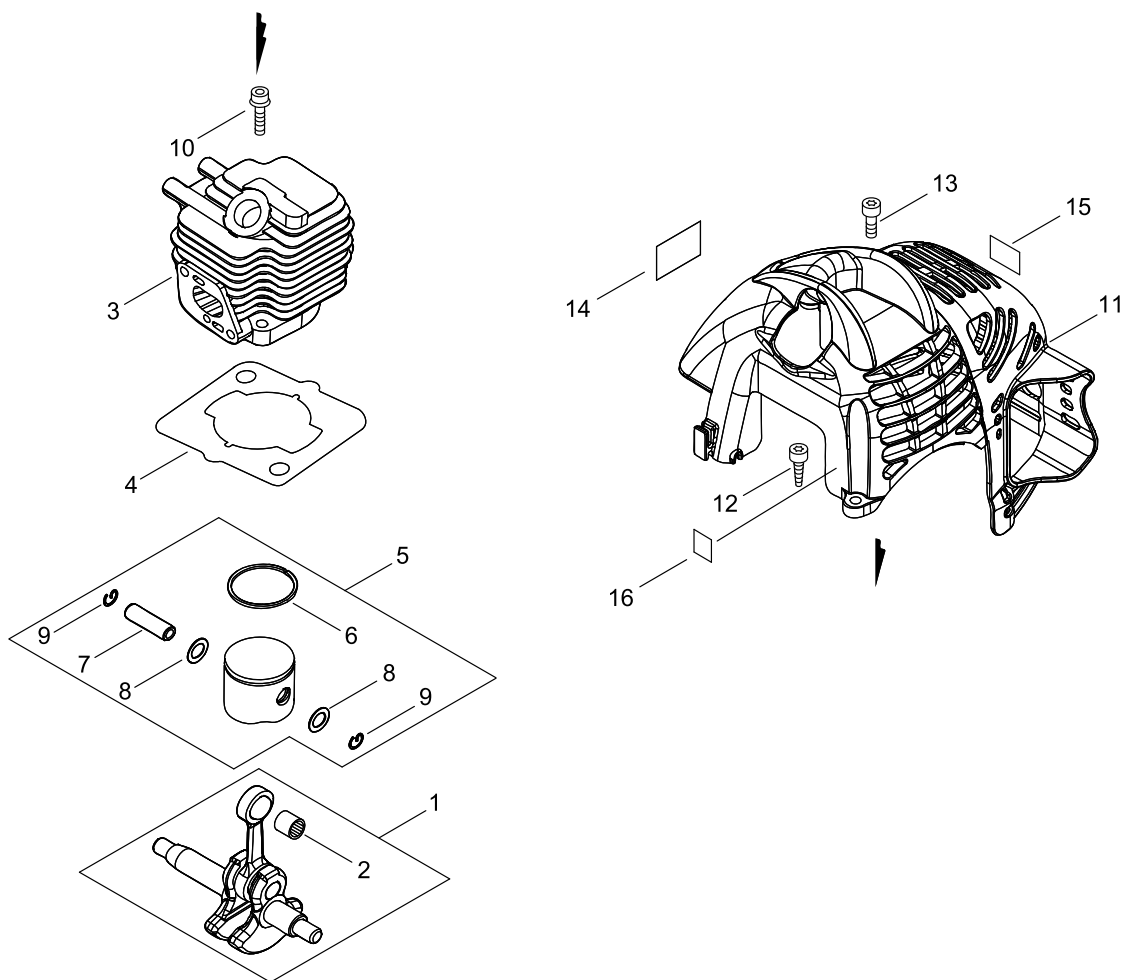
Last updated date

27/Mar/2021

TABLE OF CONTENTS

CYLINDER, PISTON, CRANKSHAFT	1
CRANKCASE	3
MAGNETO.....	5
CLUTCH.....	7
AIR CLEANER, CARBURETOR.....	9
CARBURETOR.....	11
FUEL TANK	13
MUFFLER.....	15
RECOIL STARTER, PULLY	17
GEAR CASE, SHIELD	19
MAIN PIPE, HANDLE.....	21
THROTTLE.....	23
ACCESSORIES	25

CYLINDER, PISTON, CRANKSHAFT



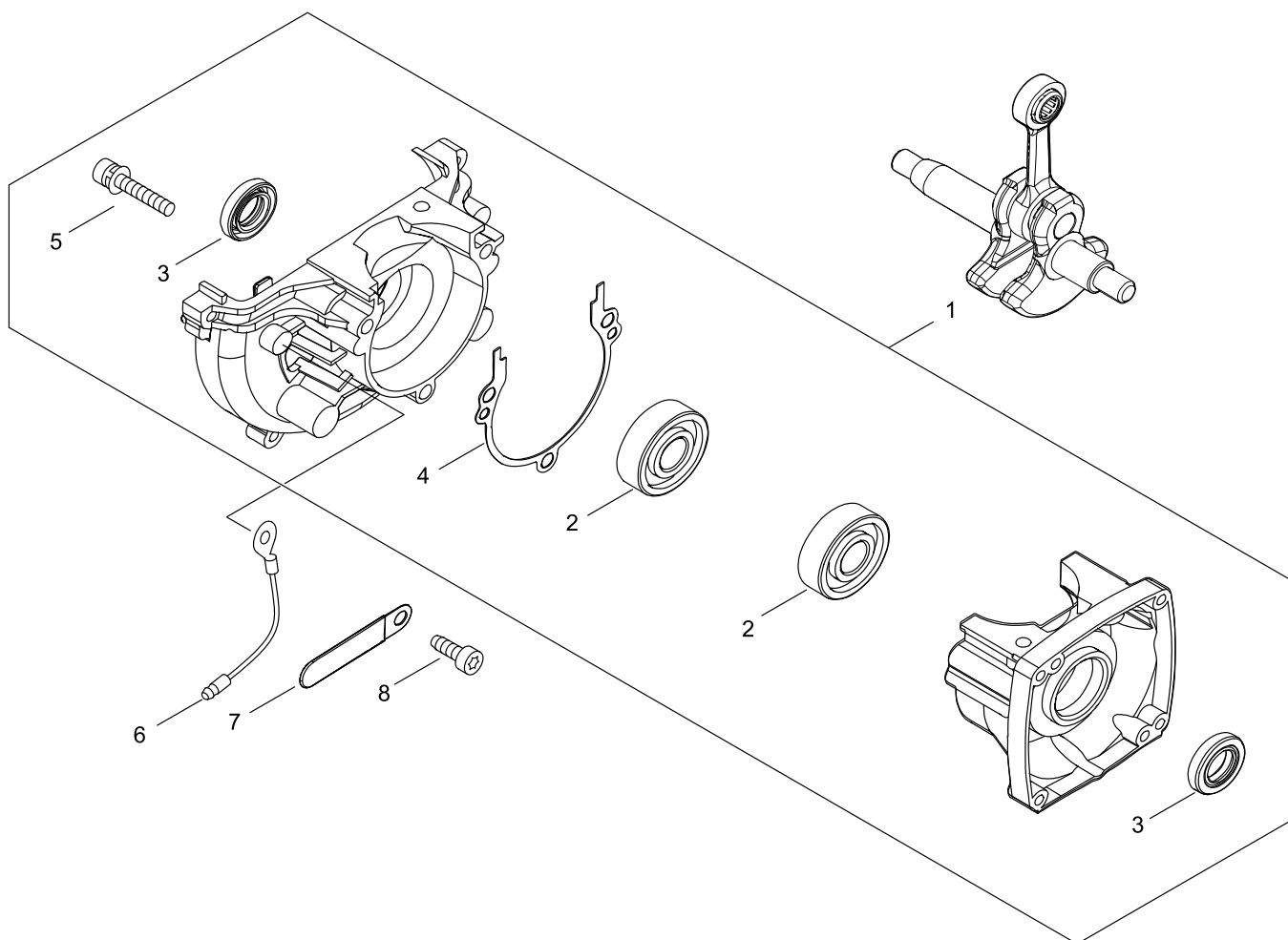
CYLINDER, PISTON, CRANKSHAFT

Key No.	LV (+)	Parts Number	Parts Description	Qty	Standard	Class
1		A011-001410	CRANKSHAFT,ASY	1		D
2	+	V553-000060	BEARING,NEEDLE 8	1	HK0810FMV4	B
3		A130-002100	CYLINDER	1		D
4		101010-44332	GASKET, CYL. BASE	1		B
5		P021-007712	PISTON KIT	1		
6	+	A101-000090	RING,PISTON	1		B
7	+	100013-11520	PIN, PISTON	1		D
8	+	100014-11520	SPACER, PISTON PIN	2		C
9	+	100015-04630	CIRCLIP, PISTON PIN	2		C
10		900162-05022	BOLT HSH	2	5*22	
11		A160-001090	COVER,CYLINDER	1		C
12		V805-000000	BOLT, TORX 5	1	TT-5*16 DG 10.9	C
13		V805-000150	BOLT, TORX 5	1	TB-5*16 10.9	C
14		X548-000330	LABEL,ECHO	1	ECHO+SRM-237TES	
15		X505-007710	LABEL,CAUTION	1		D
16		X524-001901	LABEL	1		D

Class : Consumable class

A:Fast moving parts B:Semi-fast moving parts C:Slow moving parts D:Order only as needed

CRANKCASE



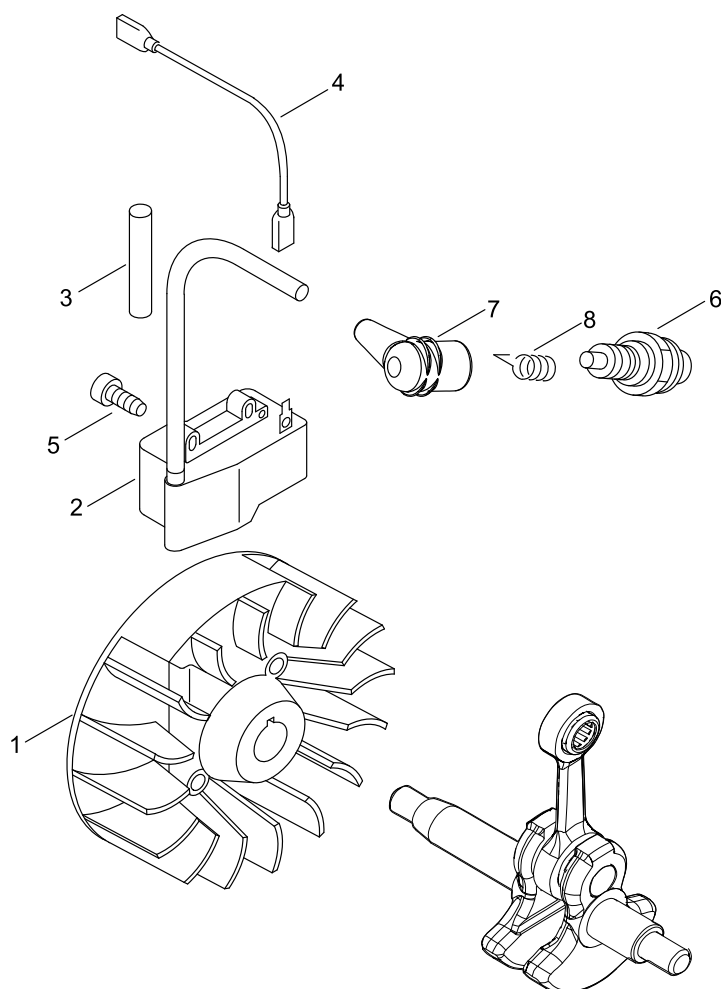
CRANKCASE

Key No.	LV (+)	Parts Number	Parts Description	Qty	Standard	Class
1		P100-001870	CRANKCASE SET	1		
2	+	94035-36201	BEARING, BALL	2	6201	
3	+	100212-42031	OILSEAL	2	ISCD 12*22*4.5	C
4	+	100242-42030	GASKET, CRANKCASE	1		B
5	+	900162-05028	BOLT HSH	3	5*28	
6		156635-43130	LEAD, GROUND	1		C
7		159116-21231	CLAMP	1		C
8		V805-000130	BOLT, TORX 5	1	TB-5*10 10.9	C

Class : Consumable class

A:Fast moving parts B:Semi-fast moving parts C:Slow moving parts D:Order only as needed

MAGNETO



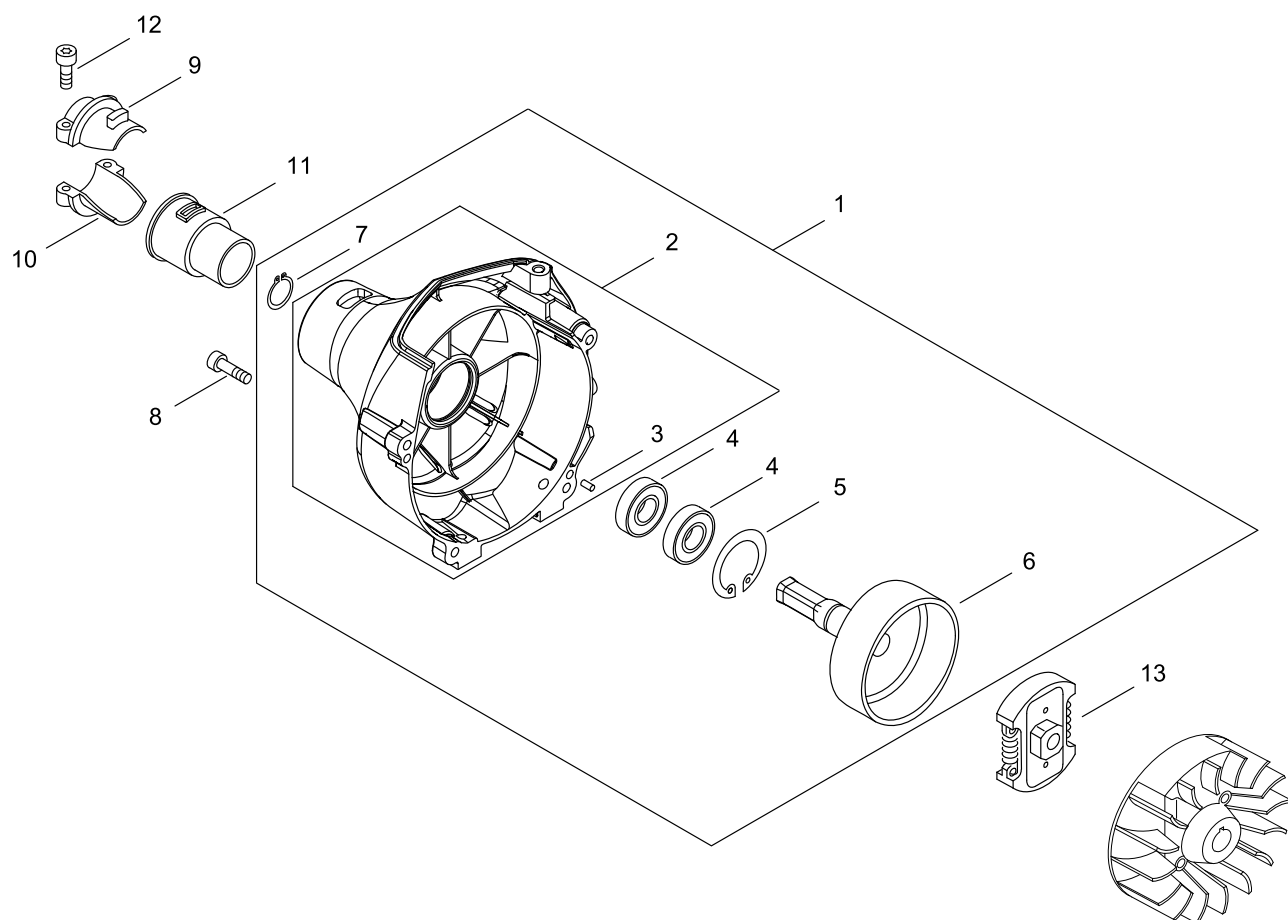
MAGNETO

Key No.	LV (+)	Parts Number	Parts Description	Qty	Standard	Class
1		A409-000160	ROTOR,MAGNETO	1		C
2		A411-000131	COIL,IGNITION	1	ID#C9148 GT/PE	C
3		V475-007200	TUBE	1	7*L55	C
4		V485-001120	LEAD	1	L210 #187 CB104	C
5		V804-000070	BOLT, TORX 4	2	TB-4*20 12.9	C
6		A425-000000	SPARKPLUG	1	BPMR8Y	A
7		A427-000013	CAP,SPARK PLUG	1		C
8		A426-000010	TERMINAL,SPARKPLUG	1		C

Class : Consumable class

A:Fast moving parts B:Semi-fast moving parts C:Slow moving parts D:Order only as needed

CLUTCH



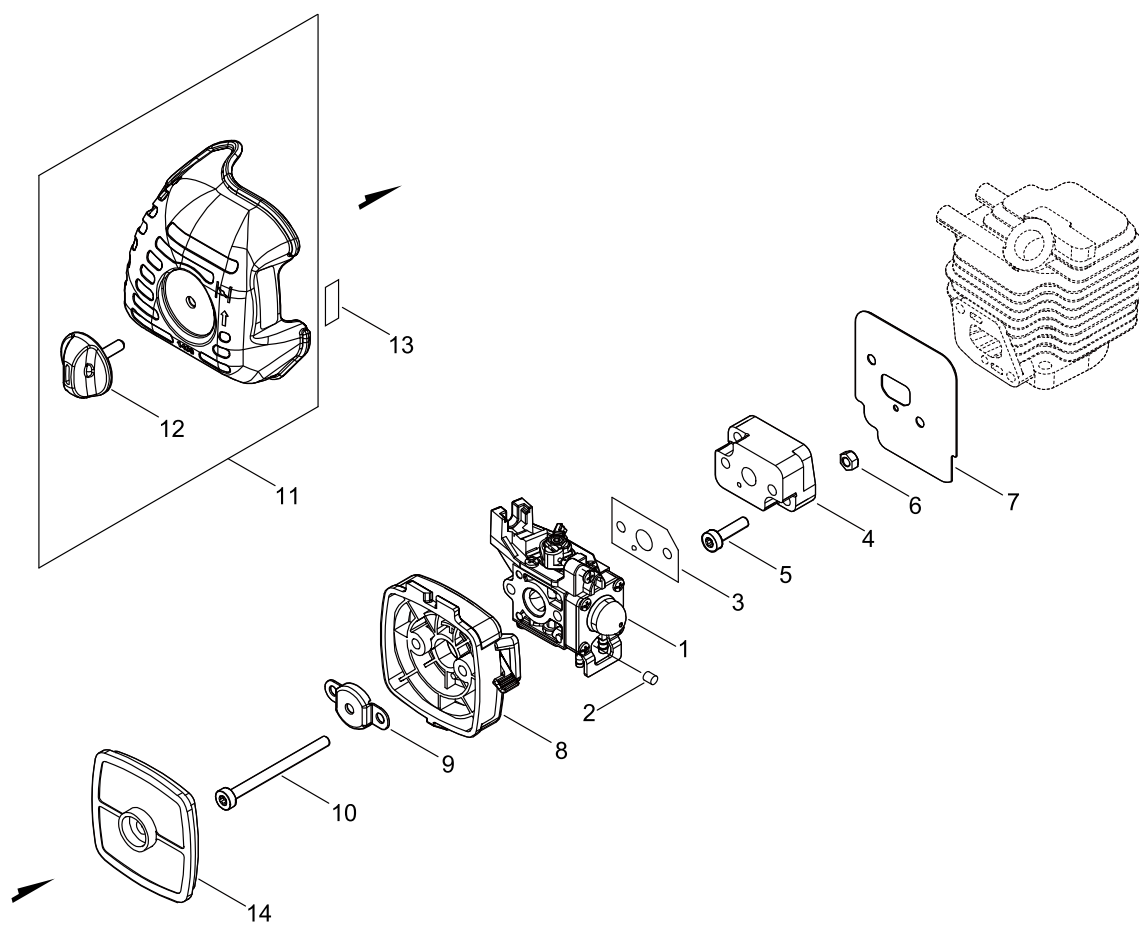
CLUTCH

Key No.	LV (+)	Parts Number	Parts Description	Qty	Standard	Class
1		P021-016171	COVER,FAN ASSY	1		
2	+	A172-000861	COVER,FAN	1		C
3	++	900330-40080	ROLLER	2	4*8	
4	+	900807-06001	BEARING, BALL	2	6001LB	
5	+	900702-00028	RETAINING RING	1	CR-28	
6	+	A556-000530	DRUM, CLUTCH	1		B
7	+	900701-00012	RETAINING RING	1	CS-12	
8		V804-000060	BOLT, TORX 4	4	TB-4*16 10.9	C
9		610922-27432	HOLDER	1		C
10		610923-55230	HOLDER	1		C
11		610910-55230	CUSHION	1		B
12		V805-000160	BOLT, TORX 5	2	TB-5*20 10.9	C
13		A056-000820	CLUTCH ASY	1	22 C0.5 D50 RESI	

Class : Consumable class

A:Fast moving parts B:Semi-fast moving parts C:Slow moving parts D:Order only as needed

AIR CLEANER, CARBURETOR



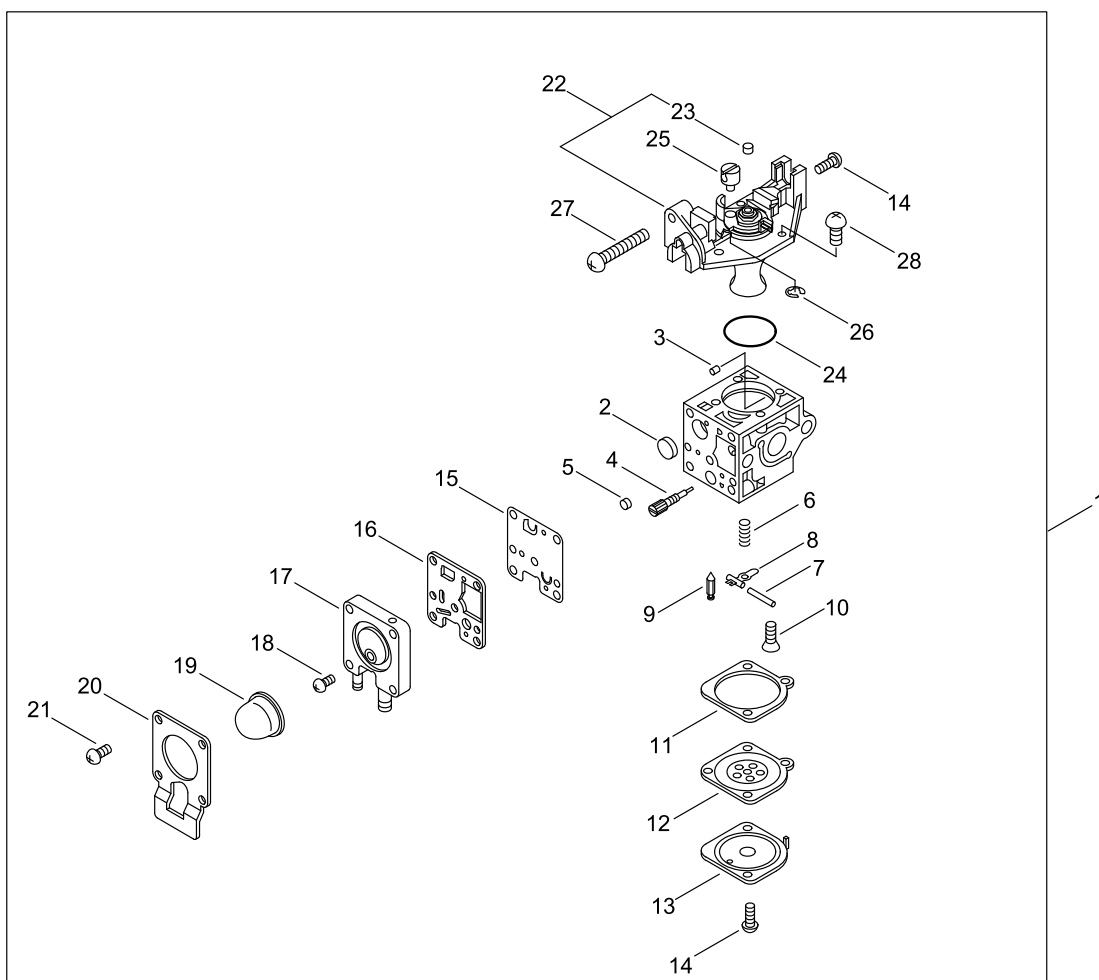
AIR CLEANER, CARBURETOR

Key No.	LV (+)	Parts Number	Parts Description	Qty	Standard	Class
1		A021-005101	CARBURETOR,DIAPHRAGM	1	RB-K113 Z011/07D	B
2		A259-000010	CAP,LIMITER	1		B
3		V103-001390	GASKET,INTAKE	1		A
4		130017-44331	INSULATOR	1		C
5		V805-000160	BOLT, TORX 5	2	TB-5*20 10.9	C
6		900500-00005	NUT	2	5	
7		V103-001360	GASKET,INTAKE	1		A
8		P021-015571	CASE, AIR CLEANER	1		
9		129011-52730	PLATE, PREVENT	1		C
10		V805-000100	BOLT, TORX 5	2	TB-5*65 10.9	C
11		P100-002260	LID,CLEANER ASY	1		
12	+	V299-000250	KNOB,FASTENER	1		C
13		890332-52730	LABEL, CHOKE	1		D
14		A226-001410	ELEMENT,AIR FILTER	1		A

Class : Consumable class

A:Fast moving parts B:Semi-fast moving parts C:Slow moving parts D:Order only as needed

CARBURETOR



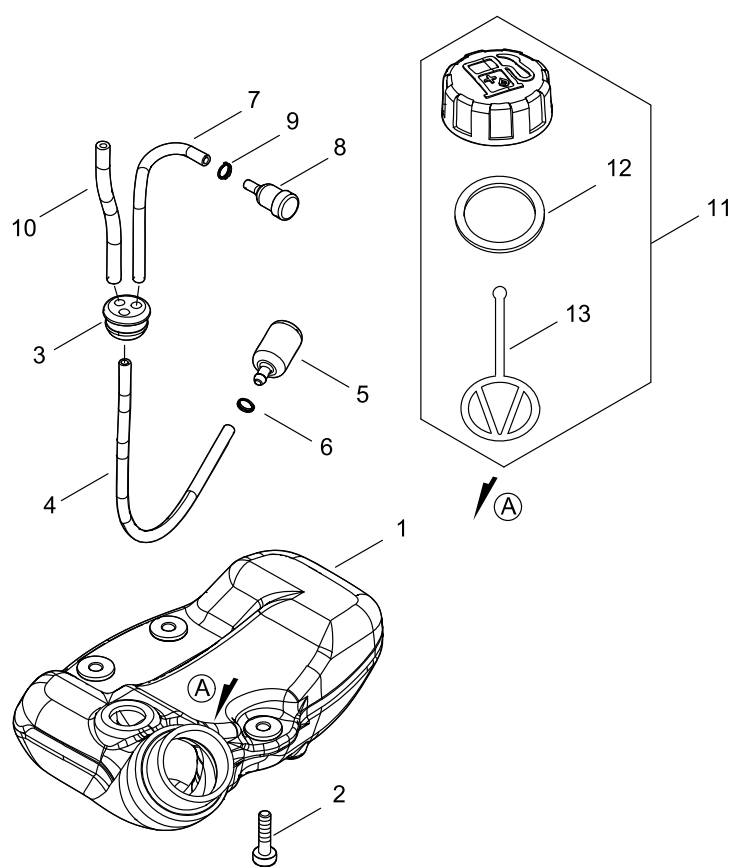
CARBURETOR

Key No.	LV (+)	Parts Number	Parts Description	Qty	Standard	Class
1		A021-005101	CARBURETOR,DIAPHRAGM	1	RB-K113 Z011/07D	B
2	+	P005-000010	STRAINER	1		
3	+	P005-001000	ROLLER, GUIDE	1		D
4	+	P005-001260	SCREW,MAINN MIXTURE	1		
5	+	P005-001250	RETAINER,PLUG BALL	1		
6	+	P005-002430	SPRING, MET. LEVER	1		D
7	+	125338-13930	PIN, METERING ARM	1		
8	+	125323-08260	ARM, VALVE	1		
9	+	125337-08260	VALVE, INLET NEEDLE	1		D
10	+	125339-42030	SCREW	1		
11	+	P005-000200	GASKET, METERING	1		A
12	+	P005-003760	DIAPHRAGM ,METERING	1		
13	+	125342-52130	COVER, DIAPHRAGM	1		D
14	+	125344-52130	SCREW	3		D
15	+	P005-000510	DIAPHRAGM, PUMP	1		A
16	+	P005-000520	GASKET, PUMP	1		A
17	+	P005-004240	BASE, ASY PRIMER	1		
18	+	P005-000270	SCREW	1		
19	+	P005-003110	PUMP, PRIMER	1		
20	+	P005-000250	RETAINER	1		
21	+	P005-001900	SCREW	4		D
22	+	P005-002460	COVER ASY, ROTOR	1		D
23	++	P005-001270	PLUG, AJUST SCREW	1		
24	+	P005-004260	RING,O	1		
25	+	P005-001240	POST	1		
26	+	P005-000190	E-RING	1		D
27	+	P005-000100	SCREW,THROTTLEADJUST	1		
28	+	125344-13931	SCREW	3		D

Class : Consumable class

A:Fast moving parts B:Semi-fast moving parts C:Slow moving parts D:Order only as needed

FUEL TANK



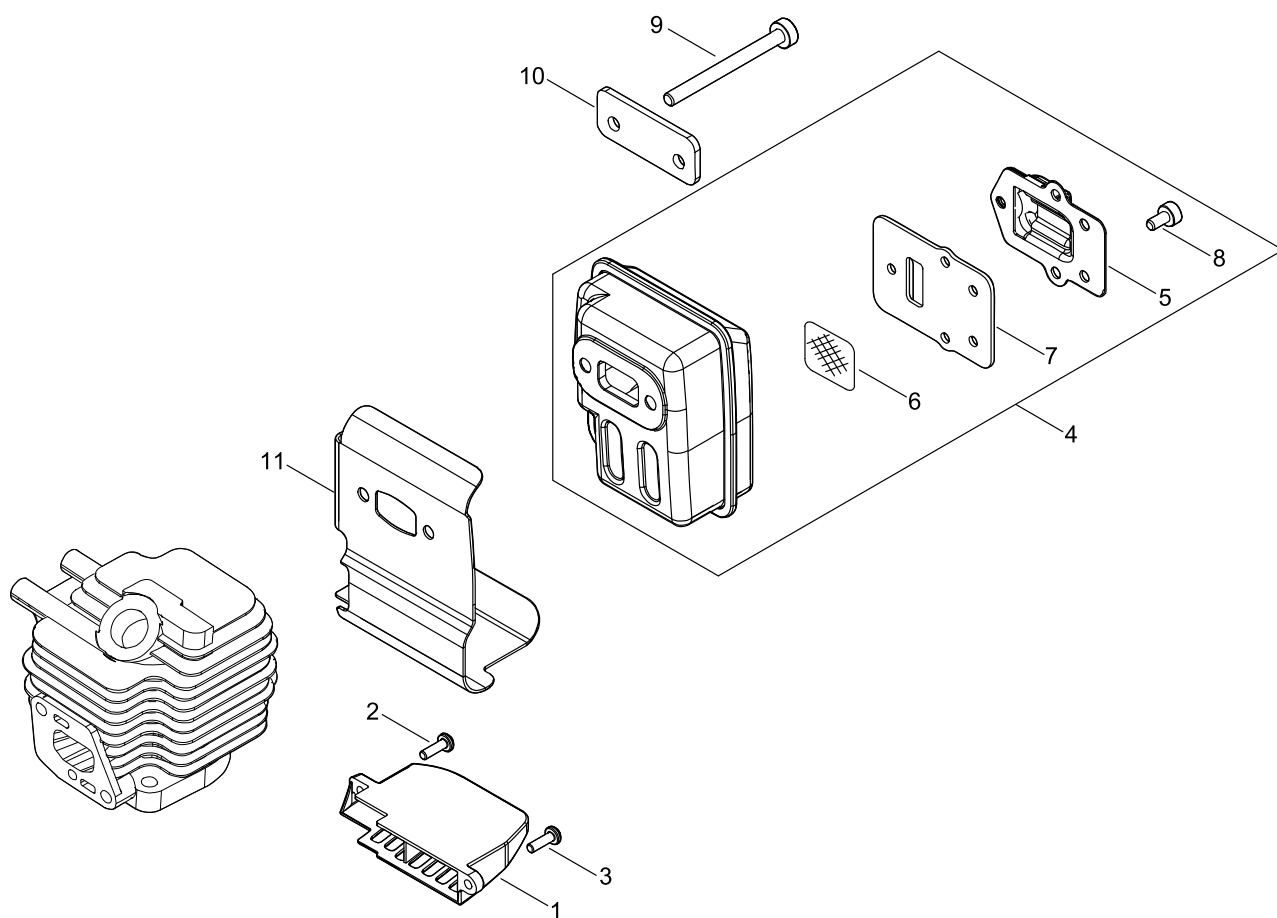
FUEL TANK

Key No.	LV (+)	Parts Number	Parts Description	Qty	Standard	Class
1		A350-000801	TANK, FUEL	1		C
2		V805-000160	BOLT, TORX 5	3	TB-5*20 10.9	C
3		132115-46730	GROMMET, FUEL	1		C
4		V471-001231	PIPE	1	3*5*210	C
5		A369-000480	STRAINER, FUEL	1	125-959	A
6		V490-001240	CLIP	1		C
7		V471-001211	PIPE	1	3*5*90	C
8		A356-000031	VALVE,CHECK	1		B
9		V490-001240	CLIP	1		C
10		132012-56030	PIPE	1	3*6*80 YL	C
11		P021-012211	CAP,FUEL ASY	1		
12	+	V107-000190	GASKET,FUEL CAP	1	37.9* T 2.2	A
13	+	A365-000060	CONNECTOR,CAP	1	L=123	B

Class : Consumable class

A:Fast moving parts B:Semi-fast moving parts C:Slow moving parts D:Order only as needed

MUFFLER



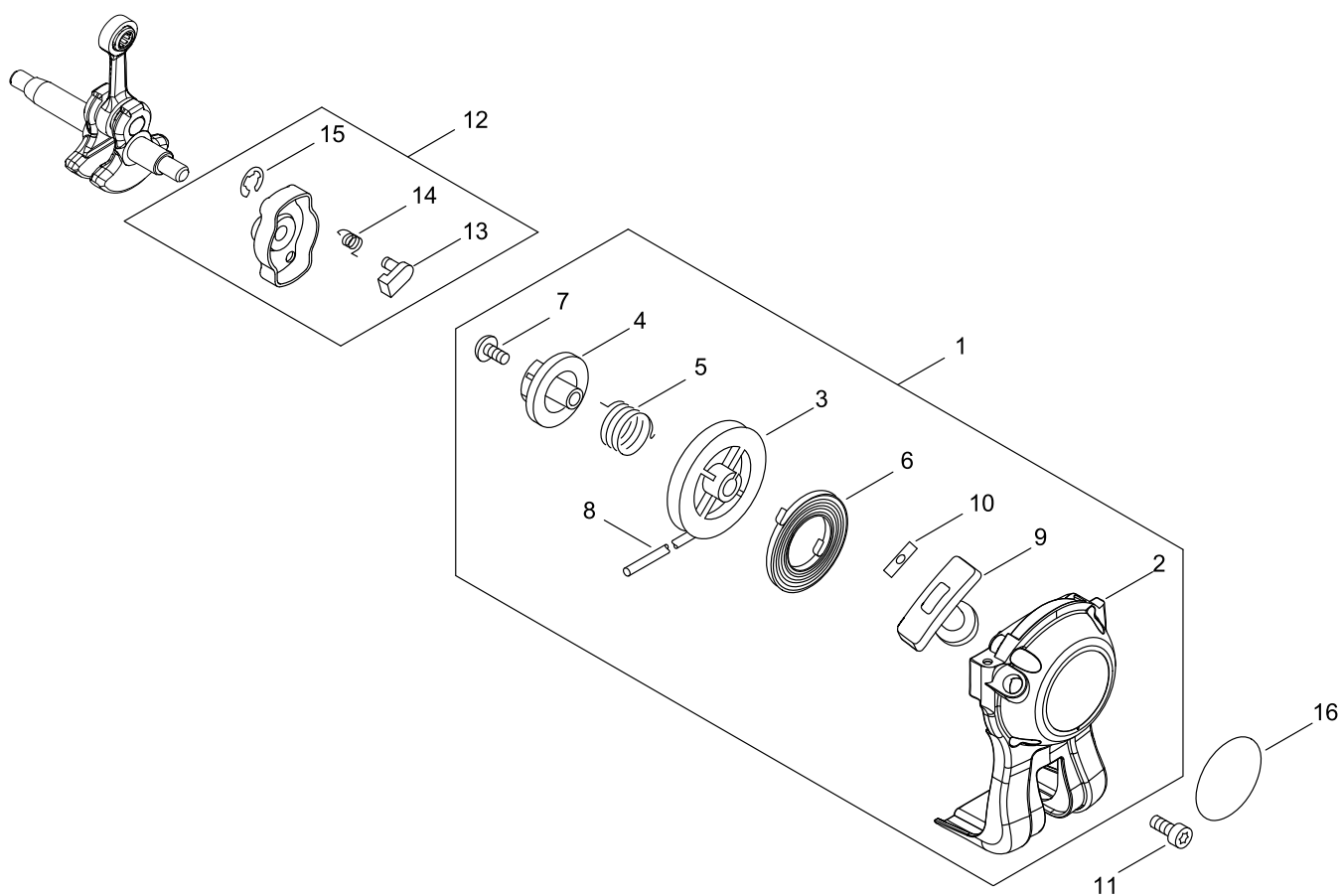
MUFFLER

Key No.	LV (+)	Parts Number	Parts Description	Qty	Standard	Class
1		A320-000480	COVER,MUFFLER	1		C
2		V805-000000	BOLT, TORX 5	1	TT-5*16 DG 10.9	C
3		V805-000150	BOLT, TORX 5	1	TB-5*16 10.9	C
4		P021-047652	MUFFLER ASY	1		
5	+	A313-000600	GUIDE,EXH	1		C
6	+	145862-40630	SCREEN, MUFFLER	1		B
7	+	V104-001761	GASKET,EXHAUST	1		A
8	+	V804-000030	BOLT, TORX 4	5	TB-4*8 10.9	C
9		V805-000190	BOLT, TORX 5	2	TB-5*55 12.9	C
10		V150-000371	PLATE,EYE	1		C
11		V104-000850	GASKET,EXHAUST	1	T1.0	A

Class : Consumable class

A:Fast moving parts B:Semi-fast moving parts C:Slow moving parts D:Order only as needed

RECOIL STARTER, PULLY



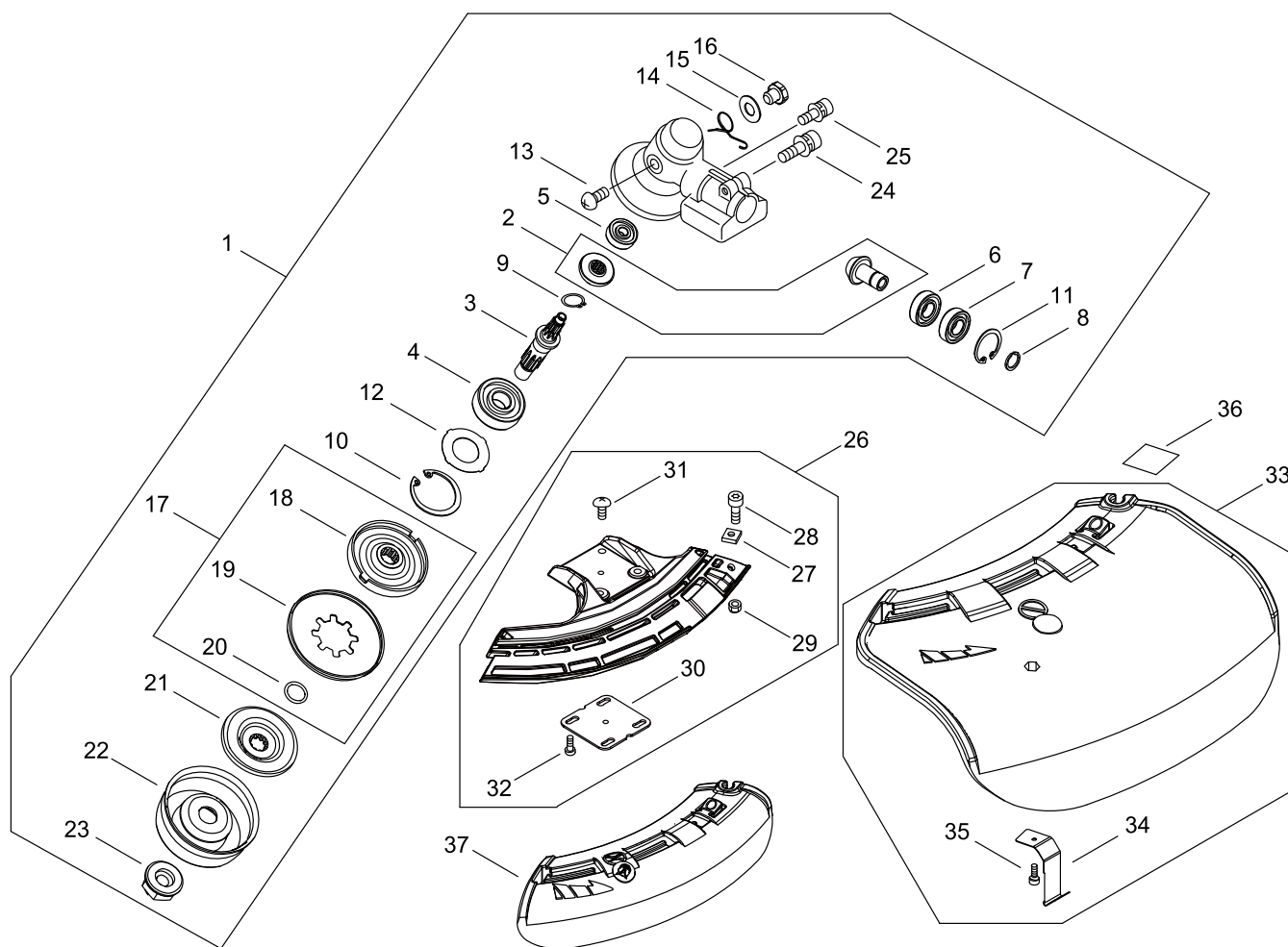
RECOIL STARTER, PULLY

Key No.	LV (+)	Parts Number	Parts Description	Qty	Standard	Class
1		A051-001312	STARTER,RECOIL ASY	1		B
2	+	P022-036970	CASE,STARTER	1		
3	+	P022-034040	DRUM, STARTER	1		
4	+	P022-034030	PLATE, CAM	1		
5	+	P022-008270	SPRING,DAMPER	1		
6	+	P022-019680	SPRING, SPIRAL	1		
7	+	177236-61830	SCREW	1		
8	+	P022-019990	ROPE, STARTER	1		
9	+	177228-27030	GRIP, STARTER	1		C
10	+	P022-037670	STOPPER, ROPE	1		
11		V804-000060	BOLT, TORX 4	4	TB-4*16 10.9	C
12		A052-000180	PULLEY,ASM STARTER	1		C
13	+	P022-006850	PAWL, STARTER	2		
14	+	P022-006510	SPRING, RETURN	2		
15	+	P022-002100	E-RING	2	4	
16		X502-000890	LABEL,ECHO	1		D

Class : Consumable class

A:Fast moving parts B:Semi-fast moving parts C:Slow moving parts D:Order only as needed

GEAR CASE, SHIELD



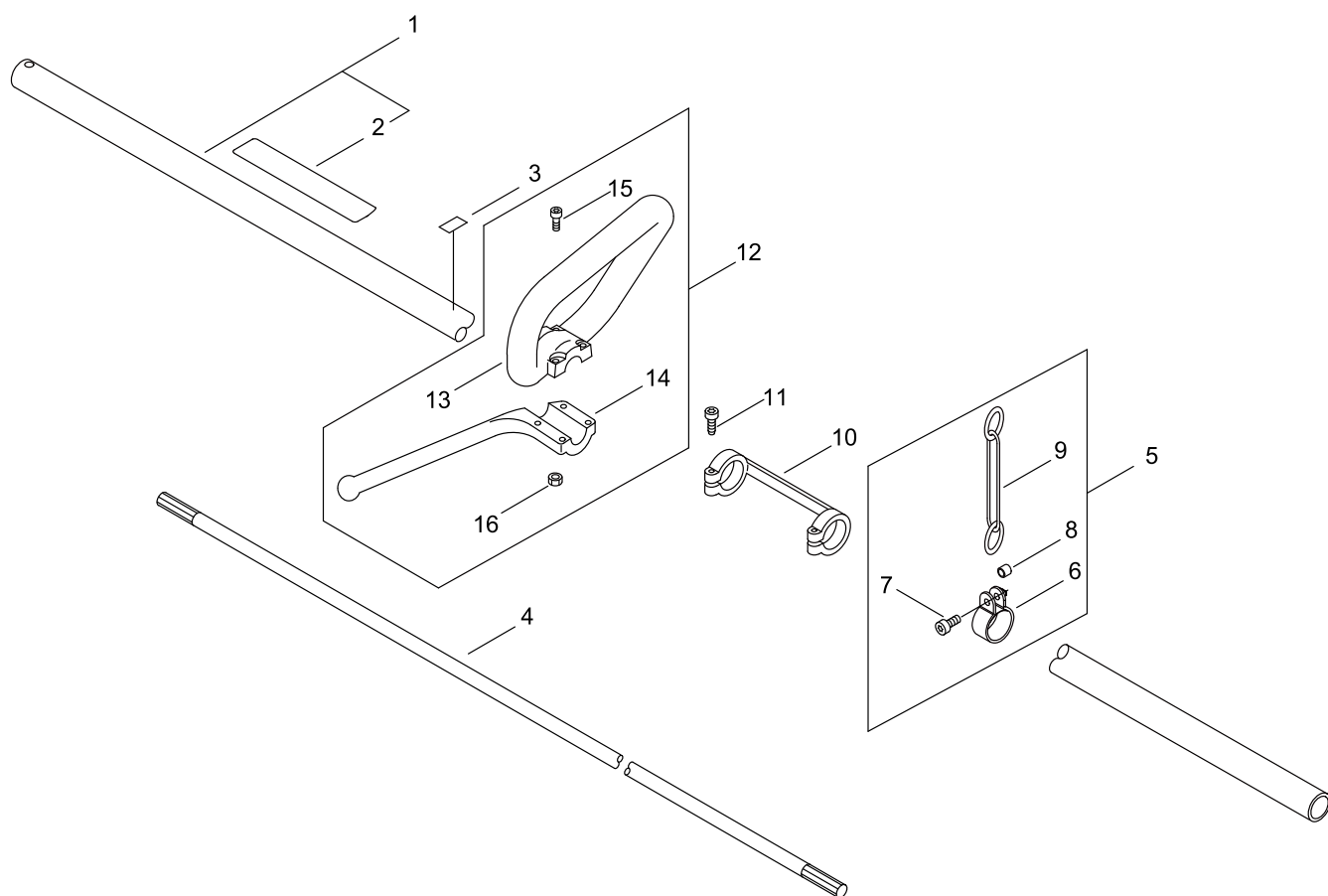
GEAR CASE, SHIELD

Key No.	LV (+)	Parts Number	Parts Description	Qty	Standard	Class
1		P021-049070	GEAR CASE ASY	1		
2	+	V000-000230	GEAR SET, BEVEL	1	EU,1.62:1 SP6	D
3	+	C534-001080	SHAFT, GEAR	1		D
4	+	900812-06201	BEARING, BALL	1	6201LLU(DDU)	
5	+	94110-00629	BEARING, BALL	1	629	
6	+	94110-00609	BEARING, BALL	1	609	
7	+	94111-00609	BEARING, BALL	1	609Z	
8	+	900701-00009	RETAINING RING	1	CS-9	
9	+	900706-00012	RETAINING RING	1	WR-12	
10	+	900702-00032	RETAINING RING	1	CR-32	
11	+	900702-00025	RETAINING RING	1	CR-25	
12	+	V340-000180	WASHER	1		C
13	+	900220-04006	SCREW	1	4*6	
14	+	V452-001310	SPRING,TORSION	1		B
15	+	900603-50008	WASHER	1	8.5*18*0.8T	C
16	+	610434-50031	BOLT 8* 8	1	M8*8	C
17	+	610313-52932	FIXTURE,BLADE	1		C
18	++	610313-52132	FIXTURE,BLADE	1		C
19	++	610352-56830	PLATE, CUP	1		C
20	++	900720-00012	O-RING	1	P-12	
21	+	610314-52130	PLATE, ADAPTER (L)	1		C
22	+	699229-56830	PLATE, COVER	1		C
23	+	610320-52130	NUT 10	1		C
24	+	V806-000020	BOLT, TORX 6	1	TB-6*25 10.9	C
25	+	V805-000140	BOLT, TORX 5	1	TB-5*12 10.9	C
26		P100-010520	SHIELD ASY	1		B
27	+	900565-00005	NUT, SQUARE	1	5	
28	+	V805-000170	BOLT, TORX 5	1	TB-5*25 10.9	C
29	+	900562-00005	NUT, LOCK	1	5	
30	+	C552-000200	PLATE, SHIELD	1		D
31	+	91316-04010	SCREW	1	4*10	
32	+	V805-000260	BOLT, TORX 5	4	TB5*25 10.9	C
33		P021-042900	SHIELD ASY, BLADE	1		
34	+	C554-000030	KNIFE, CORD	1	17INCH	B
35	+	V805-000150	BOLT, TORX 5	1	TB-5*16 10.9	C
36		X530-000580	LABEL,EYE CATCHER	1	HIGH TORQUE	D
37		C550-000541	SHIELD, BLADE	1		B

Class : Consumable class

A:Fast moving parts B:Semi-fast moving parts C:Slow moving parts D:Order only as needed

MAIN PIPE, HANDLE



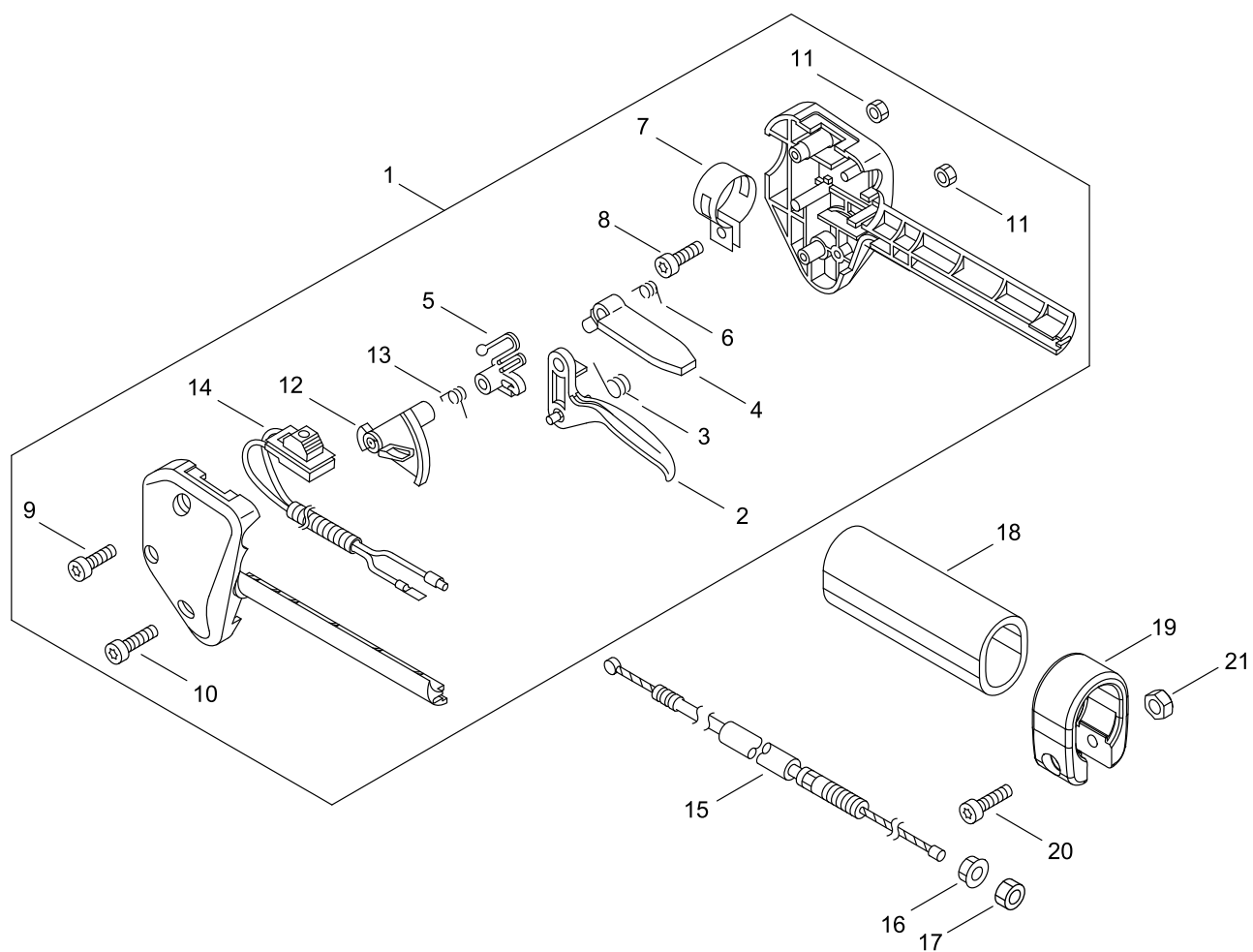
MAIN PIPE, HANDLE

Key No.	LV (+)	Parts Number	Parts Description	Qty	Standard	Class
1		P021-043710	MAIN PIPE ASY	1	SRM-2305/U(26)	
2	+	890617-43130	LABEL,CAUTION	1		D
3		890152-04930	LABEL, CAUTION	1		D
4		610018-27830	SHAFT, DRIVE	1		C
5		P100-007130	HOOK ASY	1		
6	+	301207-08930	HOOK	1		C
7	+	V805-000150	BOLT, TORX 5	1	TB-5*16 10.9	C
8	+	699012-03330	SPACER	1		C
9	+	301305-24330	LINK	1		C
10		610280-54131	COLLAR	1		C
11		V804-000020	BOLT, TORX 4	2	TT-4*20 DG 10.9	C
12		P021-016180	FRONT HANDLE ASY	1		
13	+	351214-40830	HANDLE, FRONT	1		C
14	+	351643-51730	BRACET, HANDLE	1		C
15	+	V805-000050	BOLT, TORX 5	4	TB-5*30 10.9	C
16	+	900500-00005	NUT	4	5	

Class : Consumable class

A:Fast moving parts B:Semi-fast moving parts C:Slow moving parts D:Order only as needed

THROTTLE



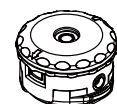
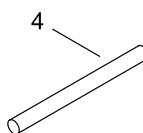
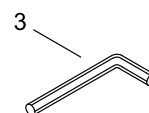
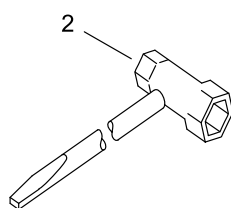
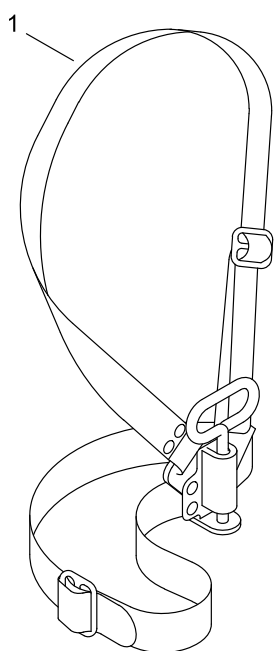
THROTTLE

Key No.	LV (+)	Parts Number	Parts Description	Qty	Standard	Class
1		P100-007140	THROTTLE ASY	1		
2	+	C450-000110	TRIGGER,THROTTLE	1		C
3	+	178043-42230	SPRING, THR. RETURN	1		B
4	+	178090-52632	LOCKOUT, T. CONTROL	1		C
5	+	C461-000000	LATCH,THROTTLE	1		C
6	+	178013-52630	SPRING, THR. LOCK	1		B
7	+	V495-003610	BAND	1		C
8	+	V805-000140	BOLT, TORX 5	1	TB-5*12 10.9	C
9	+	V805-000060	BOLT, TORX 5	1	TB-5*35 10.9	C
10	+	V805-000170	BOLT, TORX 5	1	TB-5*25 10.9	C
11	+	900500-00005	NUT	2	5	
12	+	C461-000010	LATCH,THROTTLE	1		C
13	+	V452-000120	SPRING,TORSION	1		B
14	+	A440-001240	SWITCH, ON OFF	1		C
15		V430-002290	CABLE,BOWDEN	1	330+61	B
16		900518-00006	NUT, FLANGE	1	6	
17		900502-00006	NUT	1	6	
18		C403-000140	GRIP, HANDLE	1	L129.5*28	C
19		610272-52130	BAND	1		C
20		V805-000170	BOLT, TORX 5	1	TB-5*25 10.9	C
21		900500-00005	NUT	1	5	

Class : Consumable class

A:Fast moving parts B:Semi-fast moving parts C:Slow moving parts D:Order only as needed

ACCESSORIES



ACCESSORIES

Key No.	LV (+)	Parts Number	Parts Description	Qty	Standard	Class
1		301001-46732	HARNESS, SHOULDER	1	L1910,L1550	B
2		X602-000020	TOOL,WRENCH	1	17*19 L200	D
3		X605-000170	TOOL,L WRENCH	1		D
4		X606-000080	TOOL,BAR	1	5*120	D

Class : Consumable class

A:Fast moving parts B:Semi-fast moving parts C:Slow moving parts D:Order only as needed

NUMERICAL PARTS INDEX

Part No	Part description	Page	Part No	Part description	Page	Part No	Part description	Page
100013-11520	PIN, PISTON	2	890332-52730	LABEL, CHOKE	10	A365-000060	CONNECTOR,CAP	14
100014-11520	SPACER, PISTON PIN	2	890617-43130	LABEL,CAUTION	22	A369-000480	STRAINER, FUEL	14
100015-04630	CIRCLIP, PISTON PIN	2	900162-05022	BOLT HSH	2	A409-000160	ROTOR,MAGNETO	6
100212-42031	OILSEAL	4	900162-05028	BOLT HSH	4	A411-000131	COIL,IGNITION	6
100242-42030	GASKET, CRANKCASE	4	900220-04006	SCREW	20	A425-000000	SPARKPLUG	6
101010-44332	GASKET, CYL. BASE	2	900330-40080	ROLLER	8	A426-000010	TERMINAL,SPARKPLUG	6
125323-08260	ARM, VALVE	12	900500-00005	NUT	10	A427-000013	CAP,SPARK PLUG	6
125337-08260	VALVE, INLET NEEDLE	12	900500-00005	NUT	22	A440-001240	SWITCH, ON OFF	24
125338-13930	PIN, METERING ARM	12	900500-00005	NUT	24	A556-000530	DRUM, CLUTCH	8
125339-42030	SCREW	12	900502-00006	NUT	24	C403-000140	GRIP, HANDLE	24
125342-52130	COVER, DIAPHRAGM	12	900518-00006	NUT, FLANGE	24	C450-000110	TRIGGER,THROTTLE	24
125344-13931	SCREW	12	900562-00005	NUT, LOCK	20	C461-000000	LATCH,THROTTLE	24
125344-52130	SCREW	12	900565-00005	NUT, SQUARE	20	C461-000010	LATCH,THROTTLE	24
129011-52730	PLATE, PREVENT	10	900603-50008	WASHER	20	C534-001080	SHAFT, GEAR	20
130017-44331	INSULATOR	10	900701-00009	RETAINING RING	20	C550-000541	SHIELD, BLADE	20
132012-56030	PIPE	14	900701-00012	RETAINING RING	8	C552-000200	PLATE, SHIELD	20
132115-46730	GROMMET, FUEL	14	900702-00025	RETAINING RING	20	C554-000030	KNIFE, CORD	20
145862-40630	SCREEN, MUFFLER	16	900702-00028	RETAINING RING	8	P005-000010	STRAINER	12
156635-43130	LEAD, GROUND	4	900702-00032	RETAINING RING	20	P005-000100	SCREW, THROTTLEADJUST	12
159116-21231	CLAMP	4	900706-00012	RETAINING RING	20	P005-000190	E-RING	12
177228-27030	GRIP, STARTER	18	900720-00012	O-RING	20	P005-000200	GASKET, METERING	12
177236-61830	SCREW	18	900807-06001	BEARING, BALL	8	P005-000250	RETAINER	12
178013-52630	SPRING, THR. LOCK	24	900812-06201	BEARING, BALL	20	P005-000270	SCREW	12
178043-42230	SPRING, THR. RETURN	24	91316-04010	SCREW	20	P005-000510	DIAPHRAGM, PUMP	12
178090-52632	LOCKOUT, T. CONTROL	24	94035-36201	BEARING, BALL	4	P005-000520	GASKET, PUMP	12
301001-46732	HARNES, SHOULDER	26	94110-00609	BEARING, BALL	20	P005-001000	ROLLER, GUIDE	12
301207-08930	HOOK	22	94110-00629	BEARING, BALL	20	P005-001240	POST	12
301305-24330	LINK	22	94111-00609	BEARING, BALL	20	P005-001250	RETAINER,PLUG BALL	12
351214-40830	HANDLE, FRONT	22	A011-001410	CRANKSHAFT,ASY	2	P005-001260	SCREW,MAINN MIXTURE	12
351643-51730	BRACET, HANDLE	22	A021-005101	CARBURETOR, DIAPHRAGM	10	P005-001270	PLUG, AJUST SCREW	12
610018-27830	SHAFT, DRIVE	22	A021-005101	CARBURETOR, DIAPHRAGM	12	P005-001900	SCREW	12
610272-52130	BAND	24	A051-001312	STARTER,RECOIL ASY	18	P005-002430	SPRING, MET. LEVER	12
610280-54131	COLLAR	22	A052-000180	PULLEY,ASM STARTER	18	P005-002460	COVER ASY, ROTOR	12
610313-52132	FIXTURE,BLADE	20	A056-000820	CLUTCH ASY	8	P005-003110	PUMP, PRIMER	12
610313-52932	FIXTURE,BLADE	20	A101-000090	RING,PISTON	2	P005-003760	DIAPHRAGM ,METERING	12
610314-52130	PLATE, ADAPTER (L)	20	A130-002100	CYLINDER	2	P005-004240	BASE, ASY PRIMER	12
610320-52130	NUT 10	20	A160-001090	COVER,CYLINDER	2	P005-004260	RING,O	12
610352-56830	PLATE, CUP	20	A172-000861	COVER,FAN	8	P021-007712	PISTON KIT	2
610434-50031	BOLT 8* 8	20	A226-001410	ELEMENT,AIR FILTER	10	P021-012211	CAP,FUEL ASY	14
610910-55230	CUSHION	8	A259-000010	CAP,LIMITER	10	P021-015571	CASE, AIR CLEANER	10
610922-27432	HOLDER	8	A313-000600	GUIDE,EXH	16	P021-016171	COVER,FAN ASSY	8
610923-55230	HOLDER	8	A320-000480	COVER,MUFFLER	16	P021-016180	FRONT HANDLE ASY	22
699012-03330	SPACER	22	A350-000801	TANK, FUEL	14	P021-042900	SHIELD ASY, BLADE	20
699229-56830	PLATE, COVER	20	A356-000031	VALVE,CHECK	14	P021-043710	MAIN PIPE ASY	22
890152-04930	LABEL, CAUTION	22						

NUMERICAL PARTS INDEX

Part No	Part description	Page	Part No	Part description	Page
P021-047652	MUFFLER ASY	16	V805-000100	BOLT, TORX 5	10
P021-049070	GEAR CASE ASY	20	V805-000130	BOLT, TORX 5	4
P022-002100	E-RING	18	V805-000140	BOLT, TORX 5	20
P022-006510	SPRING, RETURN	18	V805-000140	BOLT, TORX 5	24
P022-006850	PAWL, STARTER	18	V805-000150	BOLT, TORX 5	2
P022-008270	SPRING,DAMPER	18	V805-000150	BOLT, TORX 5	16
P022-019680	SPRING, SPIRAL	18	V805-000150	BOLT, TORX 5	20
P022-019990	ROPE, STARTER	18	V805-000150	BOLT, TORX 5	22
P022-034030	PLATE, CAM	18	V805-000160	BOLT, TORX 5	8
P022-034040	DRUM, STARTER	18	V805-000160	BOLT, TORX 5	10
P022-036970	CASE,STARTER	18	V805-000160	BOLT, TORX 5	14
P022-037670	STOPPER, ROPE	18	V805-000170	BOLT, TORX 5	20
P100-001870	CRANKCASE SET	4	V805-000170	BOLT, TORX 5	24
P100-002260	LID,CLEANER ASY	10	V805-000190	BOLT, TORX 5	16
P100-007130	HOOK ASY	22	V805-000260	BOLT, TORX 5	20
P100-007140	THROTTLE ASY	24	V806-000020	BOLT, TORX 6	20
P100-010520	SHIELD ASY	20	X502-000890	LABEL,ECHO	18
V000-000230	GEAR SET, BEVEL	20	X505-007710	LABEL,CAUTION	2
V103-001360	GASKET,INTAKE	10	X524-001901	LABEL	2
V103-001390	GASKET,INTAKE	10	X530-000580	LABEL,EYE CATCHER	20
V104-000850	GASKET,EXHAUST	16	X548-000330	LABEL,ECHO	2
V104-001761	GASKET,EXHAUST	16	X602-000020	TOOL,WRENCH	26
V107-000190	GASKET,FUEL CAP	14	X605-000170	TOOL,L WRENCH	26
V150-000371	PLATE,EYE	16	X606-000080	TOOL,BAR	26
V299-000250	KNOB,FASTENER	10			
V340-000180	WASHER	20			
V430-002290	CABLE,BOWDEN	24			
V452-000120	SPRING,TORSION	24			
V452-001310	SPRING,TORSION	20			
V471-001211	PIPE	14			
V471-001231	PIPE	14			
V475-007200	TUBE	6			
V485-001120	LEAD	6			
V490-001240	CLIP	14			
V495-003610	BAND	24			
V553-000060	BEARING,NEEDLE 8	2			
V804-000020	BOLT, TORX 4	22			
V804-000030	BOLT, TORX 4	16			
V804-000060	BOLT, TORX 4	8			
V804-000060	BOLT, TORX 4	18			
V804-000070	BOLT, TORX 4	6			
V805-000000	BOLT, TORX 5	2			
V805-000000	BOLT, TORX 5	16			
V805-000050	BOLT, TORX 5	22			
V805-000060	BOLT, TORX 5	24			