

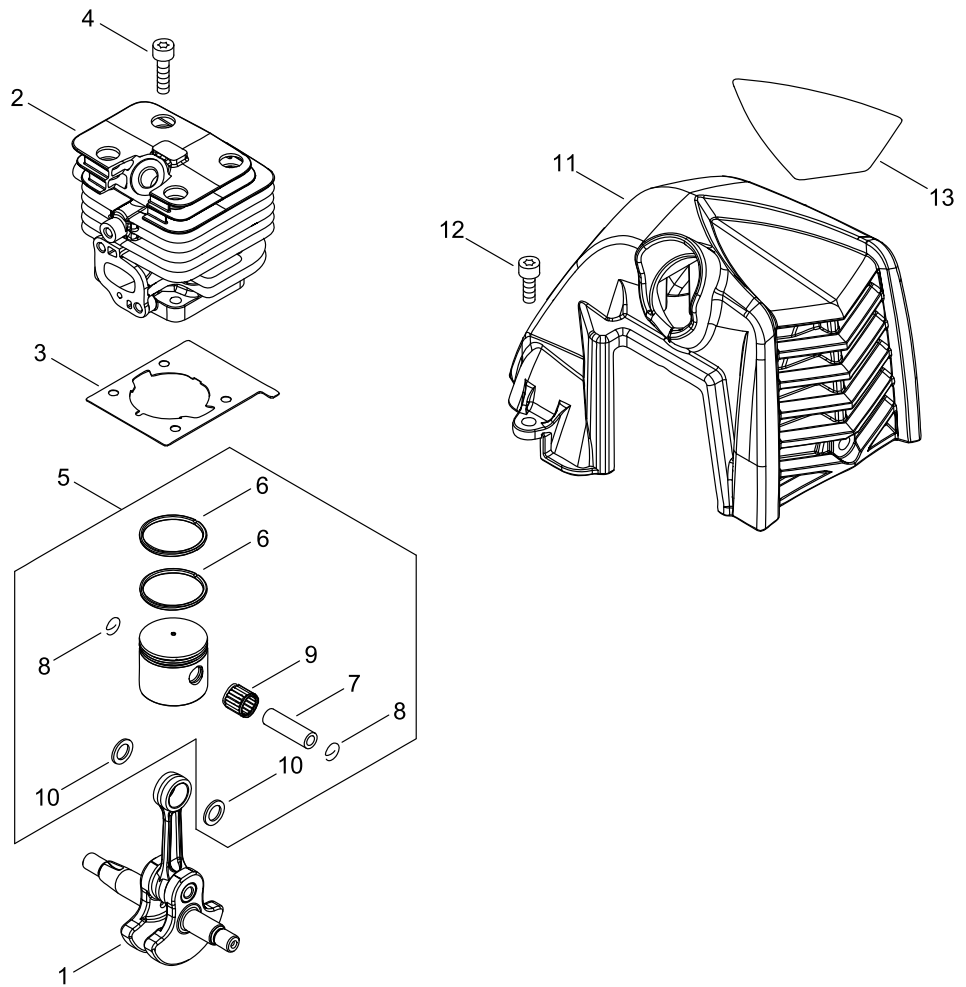
PT262S

Published:07/10/2018

TABLE OF CONTENTS

CYLINDER, PISTON, CRANKSHAFT.....	1
CRANKCASE	3
MAGNETO.....	5
CLUTCH.....	7
AIR CLEANER, CARBURETOR.....	9
CARBURETOR.....	11
FUEL TANK.....	13
MUFFLER	15
RECOIL STARTER, PULLY	17
GEAR CASE.....	19
MAIN PIPE	23
THROTTLE	25
ACCESSORIES	27
OILER.....	29

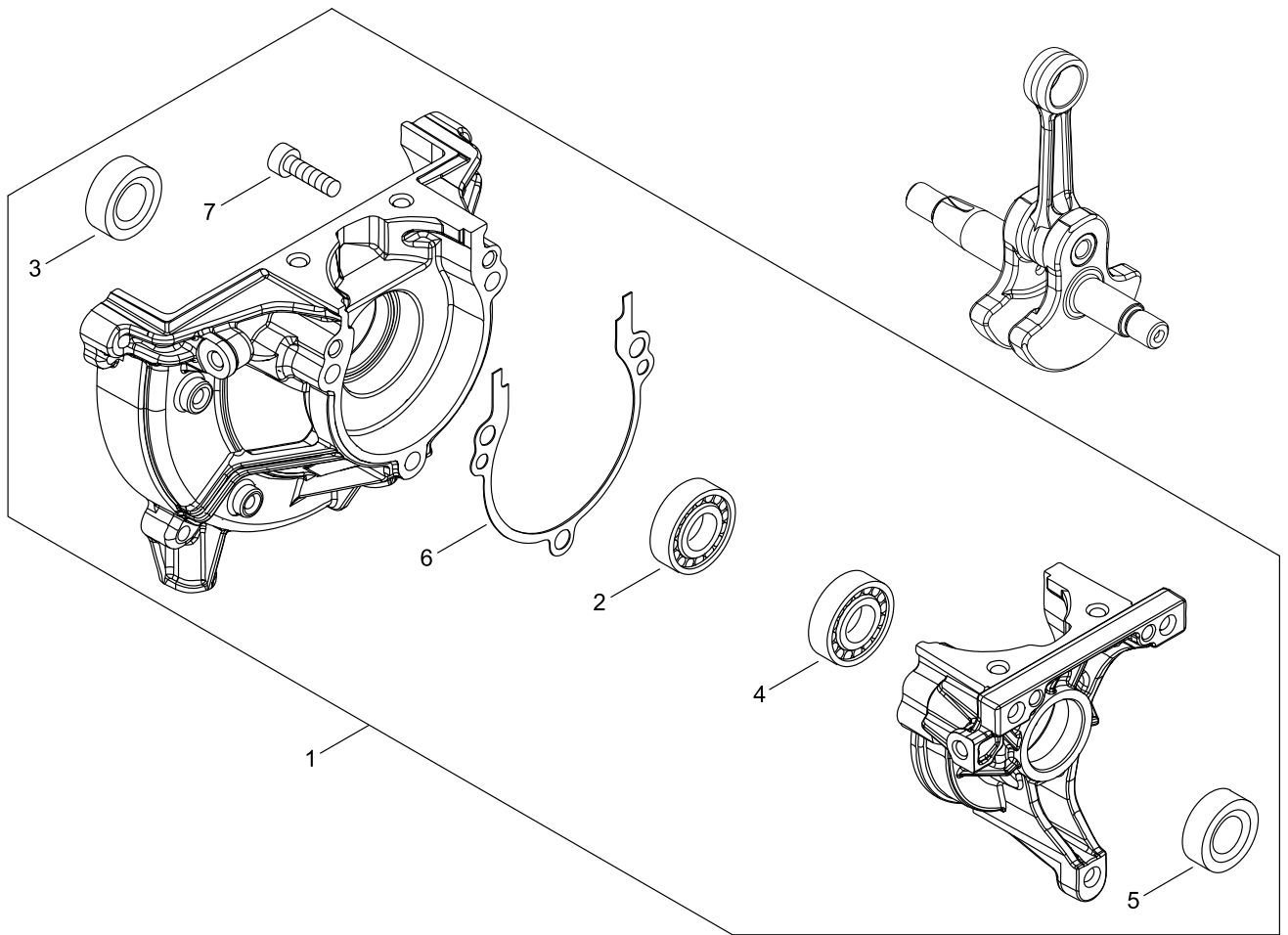
CYLINDER, PISTON, CRANKSHAFT



CYLINDER, PISTON, CRANKSHAFT

KEY NO	LV(+)	Part No	Description	Qty	Standard	Comment
1		A011-001460	CRANKSHAFT,ASY	1		
2		A130-002330	CYLINDER	1		
3		V100-000840	GASKET,CYL	1		
4		V805-000210	BOLT, TORX 5	4	TB-5*20 12.9	
5		P021-050840	PISTON KIT	1		
6	+	A101-000010	RING,PISTON	2		
7	+	100013-35430	PIN, PISTON	1	6*9*27.8	
8	+	100015-03931	CIRCLIP, PISTON PIN	2		
9	+	V554-000020	BEARING,NEEDLE 9	1	KTV-91212EG14-B2	
10	+	100014-53630	SPACER, PISTON PIN	2		
11		A160-003290	COVER,CYLINDER	1		
12		V835-000010	BOLT, TORX 5	2	TB-5*12 10.9	
13		X562-001140	LABEL,SHINDAIWA	1	SHINDAIWA+PT262S	

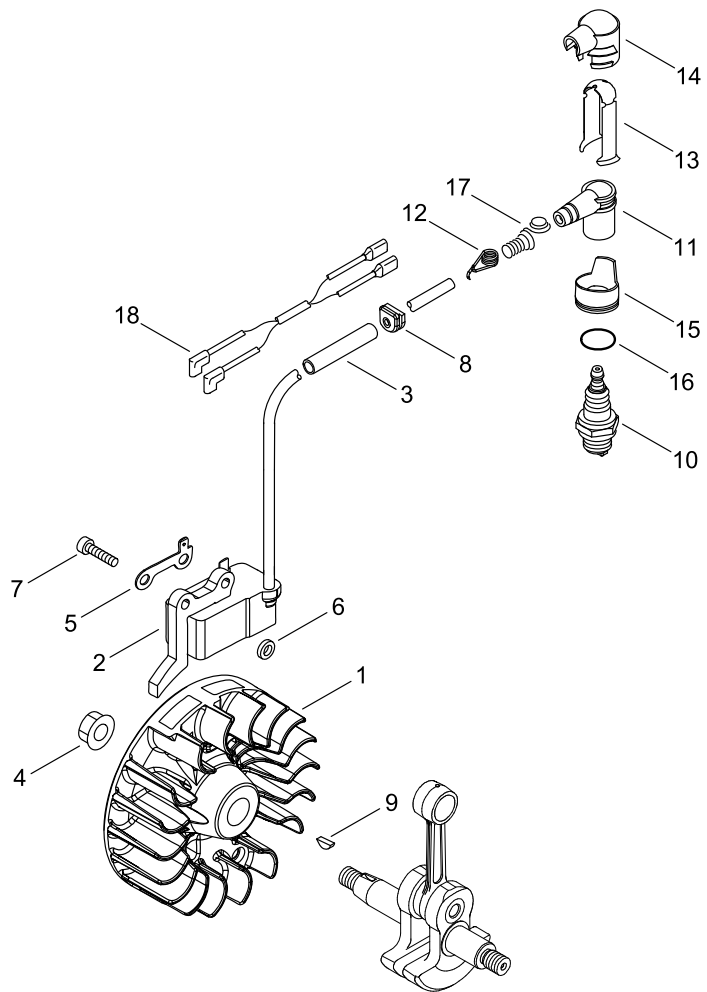
CRANKCASE



CRANKCASE

KEY NO	LV(+)	Part No	Description	Qty	Standard	Comment
1		P021-050850	CRANKCASE KIT	1		
2	+	900800-36001	BEARING, BALL 6001	1	6001/C3	
3	+	100212-42031	OILSEAL	1	ISCD 12*22*4.5	
4	+	900810-36000	BEARING, BALL	1	6000	
5	+	V503-000040	SEAL,OIL 10	1	ISCD 10*20*5F	
6	+	V102-000300	GASKET,CRANKCASE	1		
7	+	V805-000220	BOLT, TORX 5	3	TB-5*25 12.9	

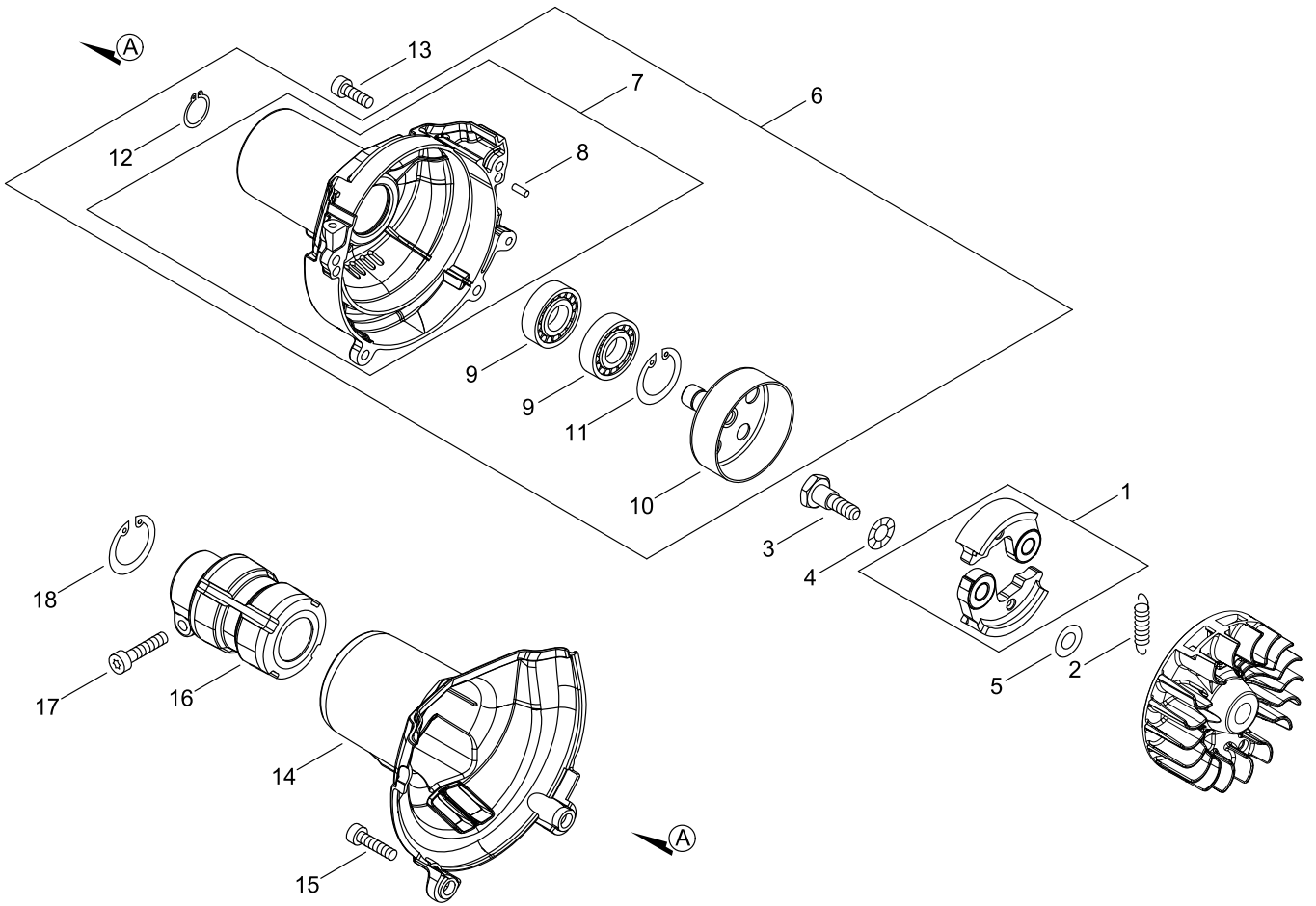
MAGNETO



MAGNETO

KEY NO	LV(+)	Part No	Description	Qty	Standard	Comment
1		A409-001320	ROTOR, MAGNETO	1		
2		A411-001790	COIL, IGNITION	1	ID#A10073A	
3		V475-007540	TUBE	1		
4		900515-00008	NUT, FLANGE 8	1	8	
5		C152-001030	CONNECTOR	1		
6		V323-000070	WASHER,CIRCULAR 5	2	5.2*10*3	
7		V805-000210	BOLT, TORX 5	2	TB-5*20 12.9	
8		156110-04920	BUSHING	1		
9		100142-12330	KEY, WOODRUFF	1		
10		A425-000060	SPARKPLUG	1	CMR7H	
11		A427-000090	PLUG CAP	1		
12		A426-000010	TERMINAL,SPARKPLUG	1		
13		V151-000170	PLATE,CUP	1		
14		A429-000110	PLUG CAP COVER	1		
15		J473-000120	PIECE,COVER	1		
16		900720-00022	O-RING 22	1	P-22	
17		A430-000010	WIRE,SHIELD	1		
18		V485-002880	LEAD	1		

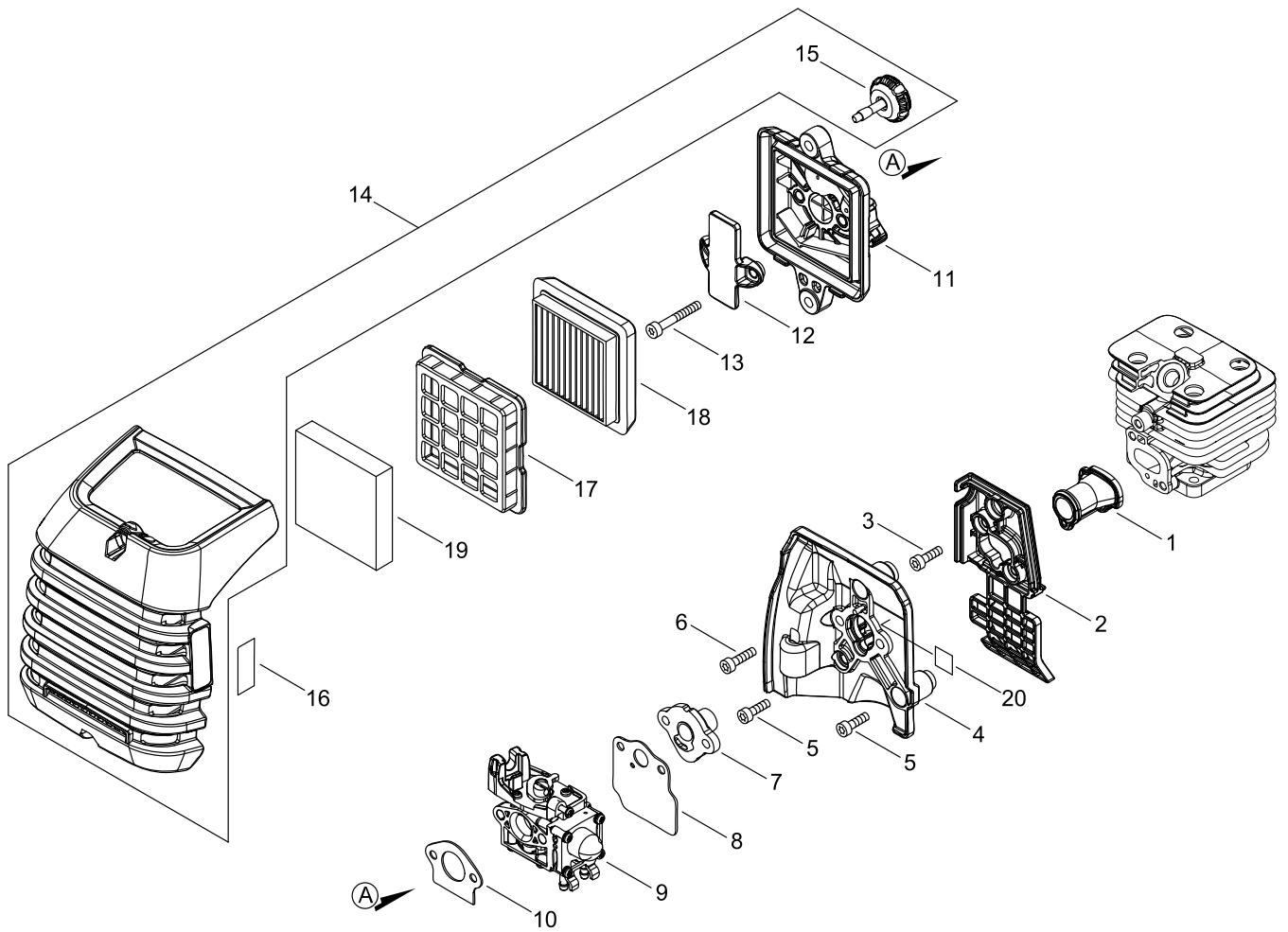
CLUTCH



CLUTCH

KEY NO	LV(+)	Part No	Description	Qty	Standard	Comment
1		P100-002270	ARM,CLUTCH SET	1		
2		V451-001390	SPRING,TENSION	1	172N/34MM	
3		175046-56030	SHAFT, CLUTCH	2		
4		175049-56030	WASHER	2	8.5*16*0.5	
5		175048-05530	WASHER (I)	2	6.2*19*1.0	
6		P100-006230	FAN COVER ASY	1		
7	+	A172-003281	COVER,FAN	1		
8	++	900330-40080	PIN F 4*8	2	4*8	
9	+	94009-06902	BEARING, BALL	2	BB6902LLB/2AS	
10	+	A556-001780	DRUM, CLUTCH	1	Φ58/□7.85	
11	+	900702-00028	CIRCLIP 28	1	CR-28	
12	+	900701-00015	CIRCLIP 15	1	CS-15	
13		V805-000150	BOLT, TORX 5	2	TB-5*16 10.9	
14		A413-000090	BOOT	1		
15		V805-000160	BOLT, TORX 5	2	TB-5*20 10.9	
16		A575-000690	FIXTURE, MAIN PIPE	1		
17		V805-000170	BOLT, TORX 5	1	TB-5*25 10.9	
18		900702-00042	CIRCLIP 42	1	CR-42	

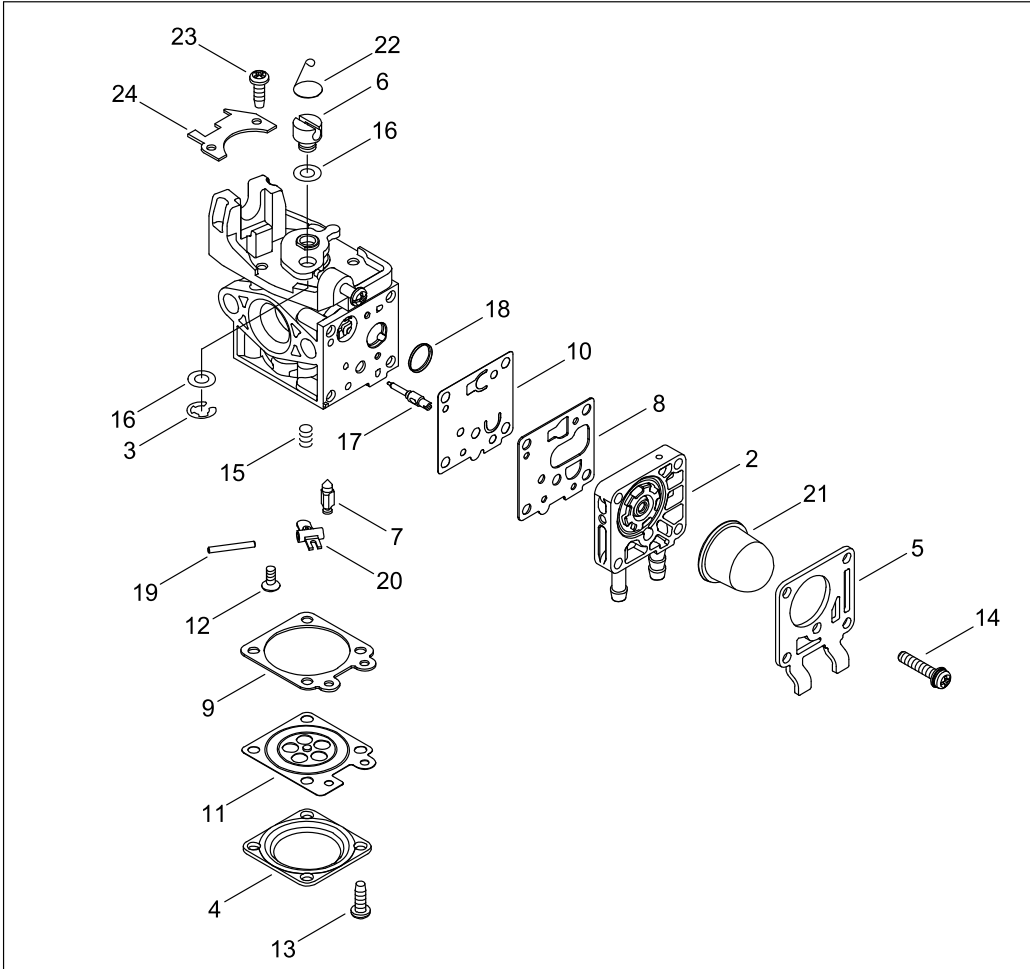
AIR CLEANER, CARBURETOR



AIR CLEANER, CARBURETOR

KEY NO	LV(+)	Part No	Description	Qty	Standard	Comment
1		A202-000300	BELLOWS, INTAKE	1		
2		A206-000040	HOLDER, BELLOWS	1		
3		V253-001020	SCREW,5	2	TB2411 10MM	
4		A209-001010	PLATE, INSULATOR	1		
5		V805-000150	BOLT, TORX 5	2	TB-5*16 10.9	
6		V855-000000	BOLT, TORX 5	1	TB-5*20	
7		A209-001000	PLATE, INSULATOR	1		
8		V103-001890	GASKET,INTAKE	1		
9		A021-004600	CARBURETOR, DIAPHRAGM	1	WYG-9	
10		V103-001900	GASKET,INTAKE	1		
11		P021-051160	CLEANER CASE ASY	1		
12		A244-000370	PLATE,PREVENT	1		
13		V805-000340	BOLT, TORX 5	2	TB-5*60 10.9	
14		P100-003600	LID,CLEANER ASY	1		
15	+	V299-000640	KNOB,FASTENER	2		
16		X506-000170	LABEL,CHOKE	1	SYMBOLS + T	
17		A227-000050	PLATE, ELEMENT	1		
18		A226-002030	ELEMENT, AIR FILTER	1		
19		A226-002040	ELEMENT, AIR FILTER	1	HP-70	
20		X524-001901	LABEL	1		

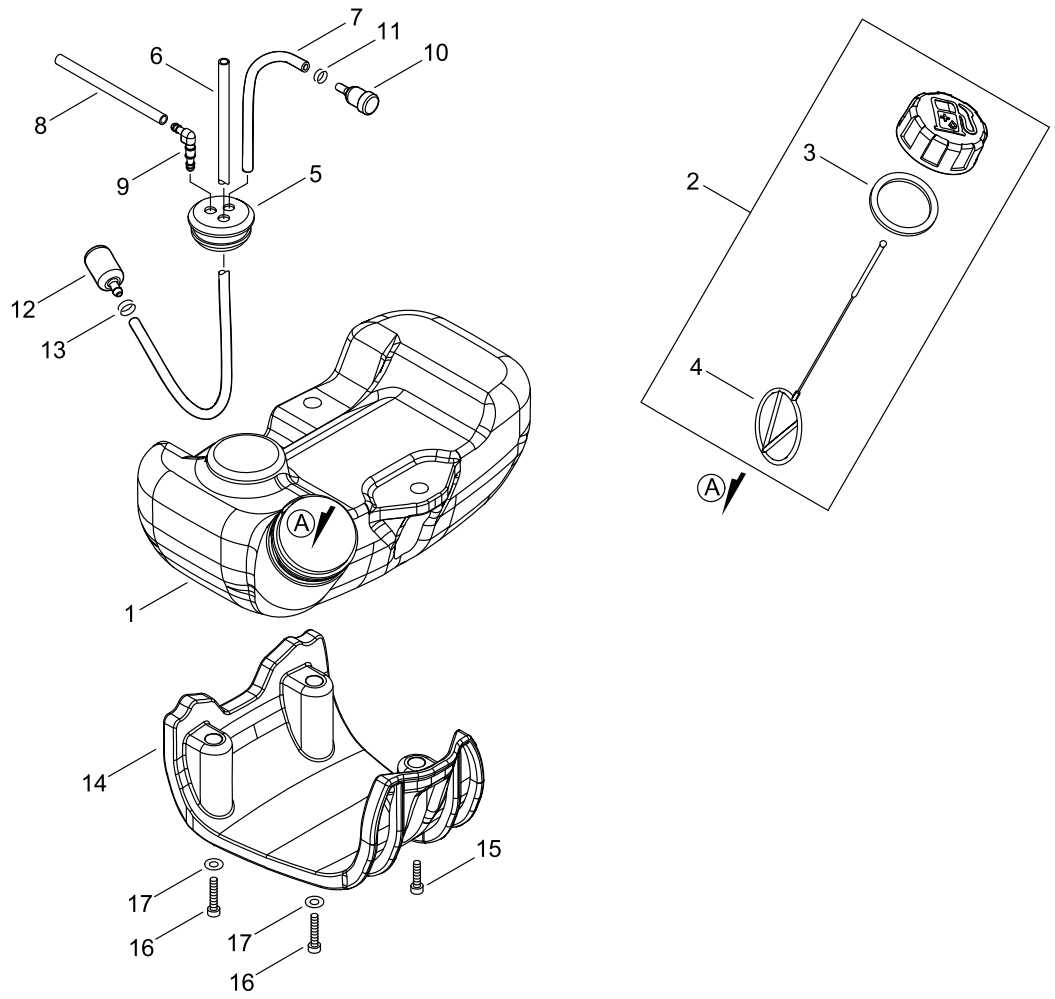
CARBURETOR



CARBURETOR

KEY NO	LV(+)	Part No	Description	Qty	Standard	Comment
1		A021-004600	CARBURETOR, DIAPHRAGM	1	WYG-9	
2	+	P003-005300	BODY ASSEMBLY, PUMP	1		
3	+	123173-07930	CLIP	1		
4	+	123142-03930	COVER, M. DIAPHRAGM	1		
5	+	P003-004510	COVER, FUEL PUMP	1		
6	+	P003-005850	SWIVEL	1		
7	+	123137-19830	VALVE, INLET NEEDLE	1		
8	+	P003-004530	GASKET, FUEL PUMP	1		
9	+	123140-27230	GASKET,M. DIAPHRAGM	1		
10	+	P003-004540	DIAPHRAGM, FUEL PUMP	1		
11	+	P003-001670	DIAPHRAGM, METERING	1		
12	+	P003-005860	SCREW	1		
13	+	P003-004560	SCREW	4		
14	+	P003-004570	SCREW	4		
15	+	P003-005870	SPRING	1		
16	+	P003-001710	WASHER	2		
17	+	P003-005880	NEEDLE	1		
18	+	123126-10631	SCREEN, INLET	1		
19	+	123138-03930	PIN, METERING LEVER	1		
20	+	P003-001630	LEVER, METERING	1		
21	+	123181-09560	PUMP, PRIMER	1		
22	+	P003-005890	CLIP	1		
23	+	123114-40630	SCREW	3		
24	+	P003-005900	PLATE	1		

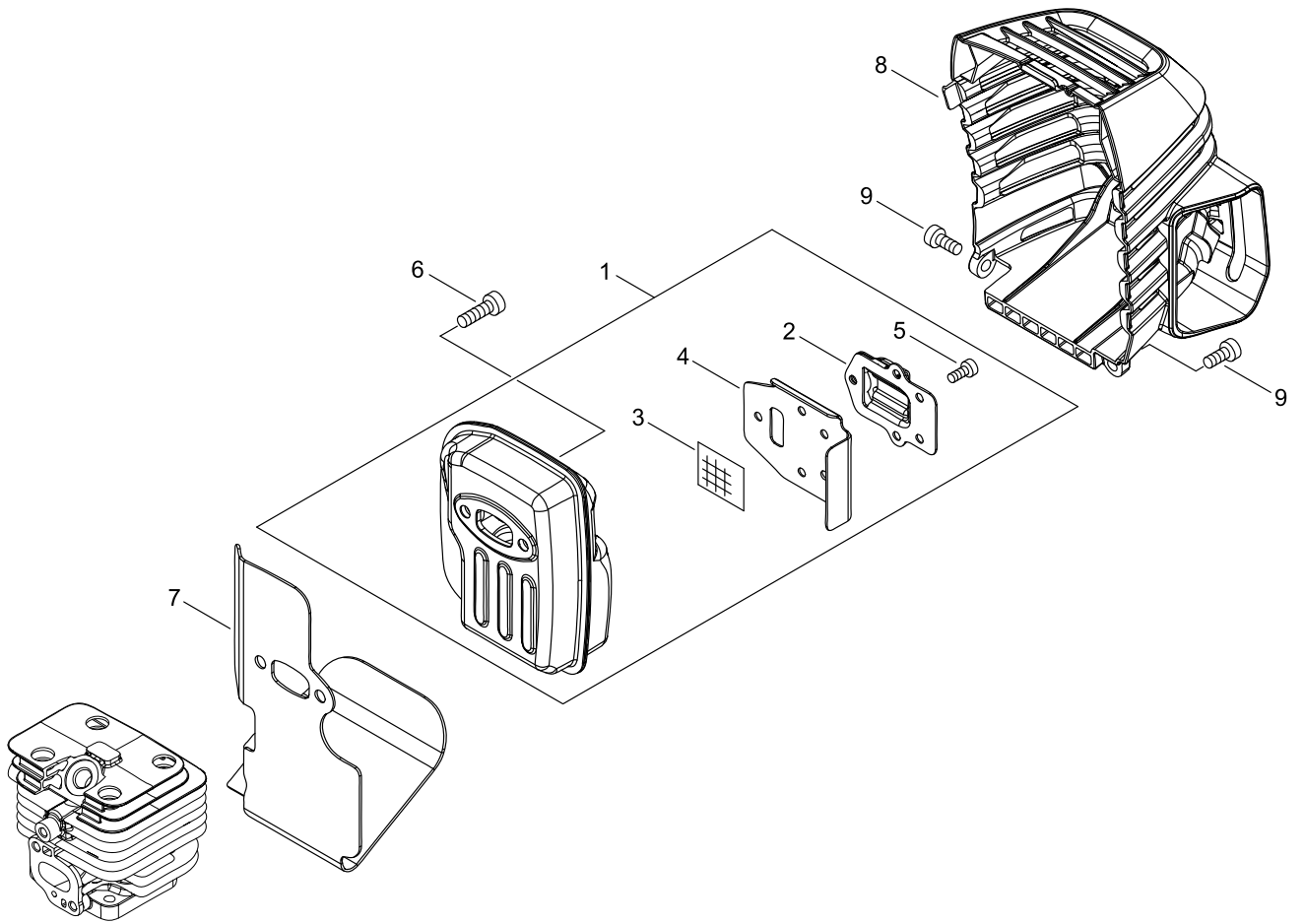
FUEL TANK



FUEL TANK

KEY NO	LV(+)	Part No	Description	Qty	Standard	Comment
1		A350-002350	TANK, FUEL	1		
2		P021-035680	FUEL CAP ASY	1	T242	
3	+	131016-55830	GASKET, FUEL CAP	1		
4	+	A365-000060	CONNECTOR,CAP	1	L=123	
5		132115-55930	GROMMET, FUEL	1		
6		V471-001230	PIPE	1	3*5*210 NBR	
7		132010-06530	PIPE 3*6* 85	1	3*6* 85	
8		132012-56030	PIPE	1	3*6*80 YL	
9		V186-000500	JOINT,PIPE	1		
10		A356-000031	VALVE,CHECK	1		
11		V490-001230	CLIP	1		
12		A369-000470	STRAINER, FUEL	1		
13		V490-001240	CLIP	1		
14		A175-000040	STAND	1		
15		V805-000160	BOLT, TORX 5	1	TB-5*20 10.9	
16		V805-000170	BOLT, TORX 5	2	TB-5*25 10.9	
17		900602-00005	WASHER 5	2	5.3*10*1	

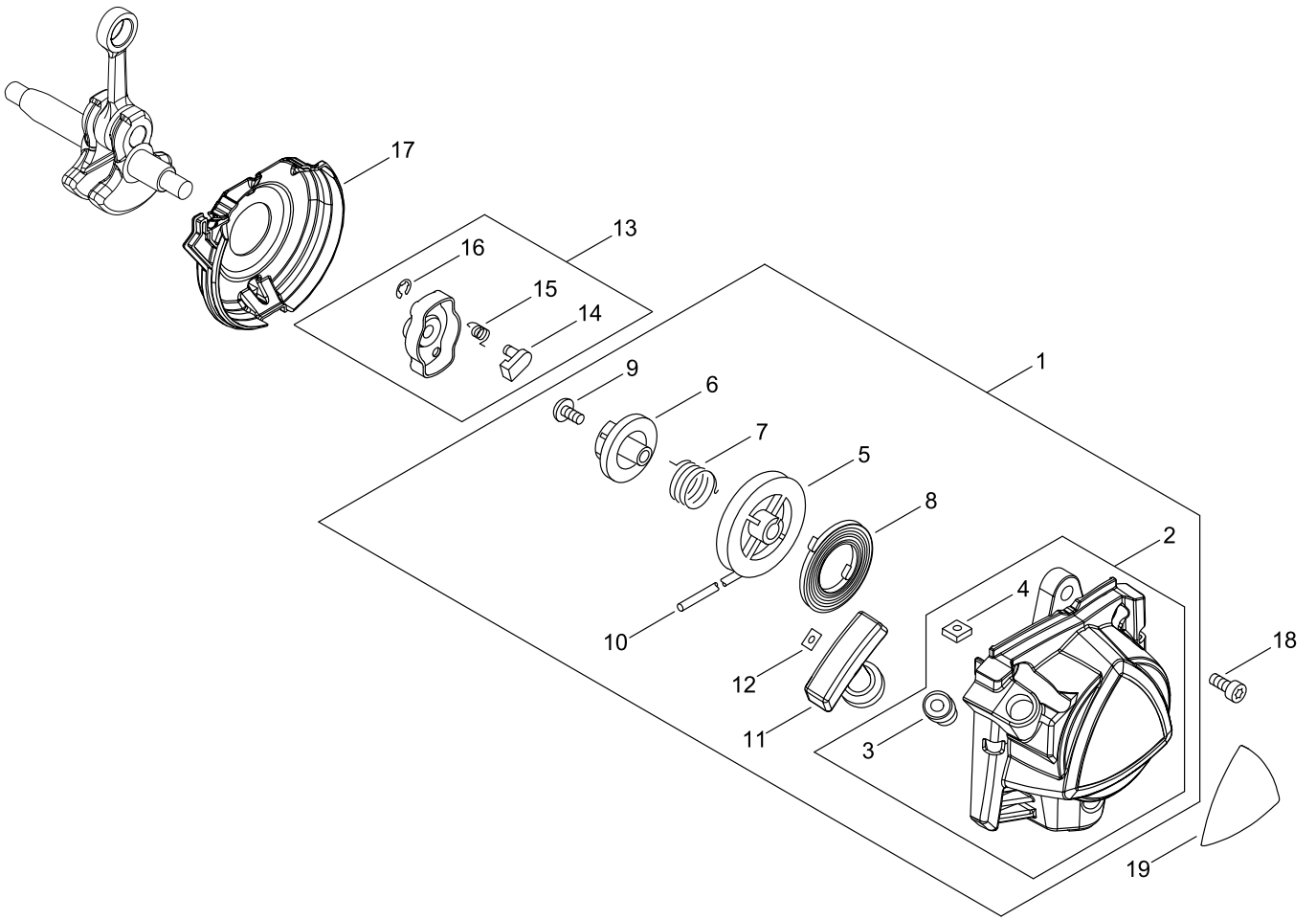
MUFFLER



MUFFLER

KEY NO	LV(+)	Part No	Description	Qty	Standard	Comment
1		P100-004020	MUFFLER ASY	1		
2	+	A313-002060	GUIDE, EXHAUST	1		
3	+	145862-40630	SCREEN, MUFFLER	1		
4	+	V104-002300	GASKET,EXHAUST	1		
5	+	V804-000030	BOLT, TORX 4	5	TB-4*8 10.9	
6		V805-000250	BOLT, TORX 5	2	TB-5*16 12.9	
7		V104-002310	GASKET,EXHAUST	1		
8		A320-001200	COVER,MUFFLER	1		
9		V835-000010	BOLT, TORX 5	2	TB-5*12 10.9	

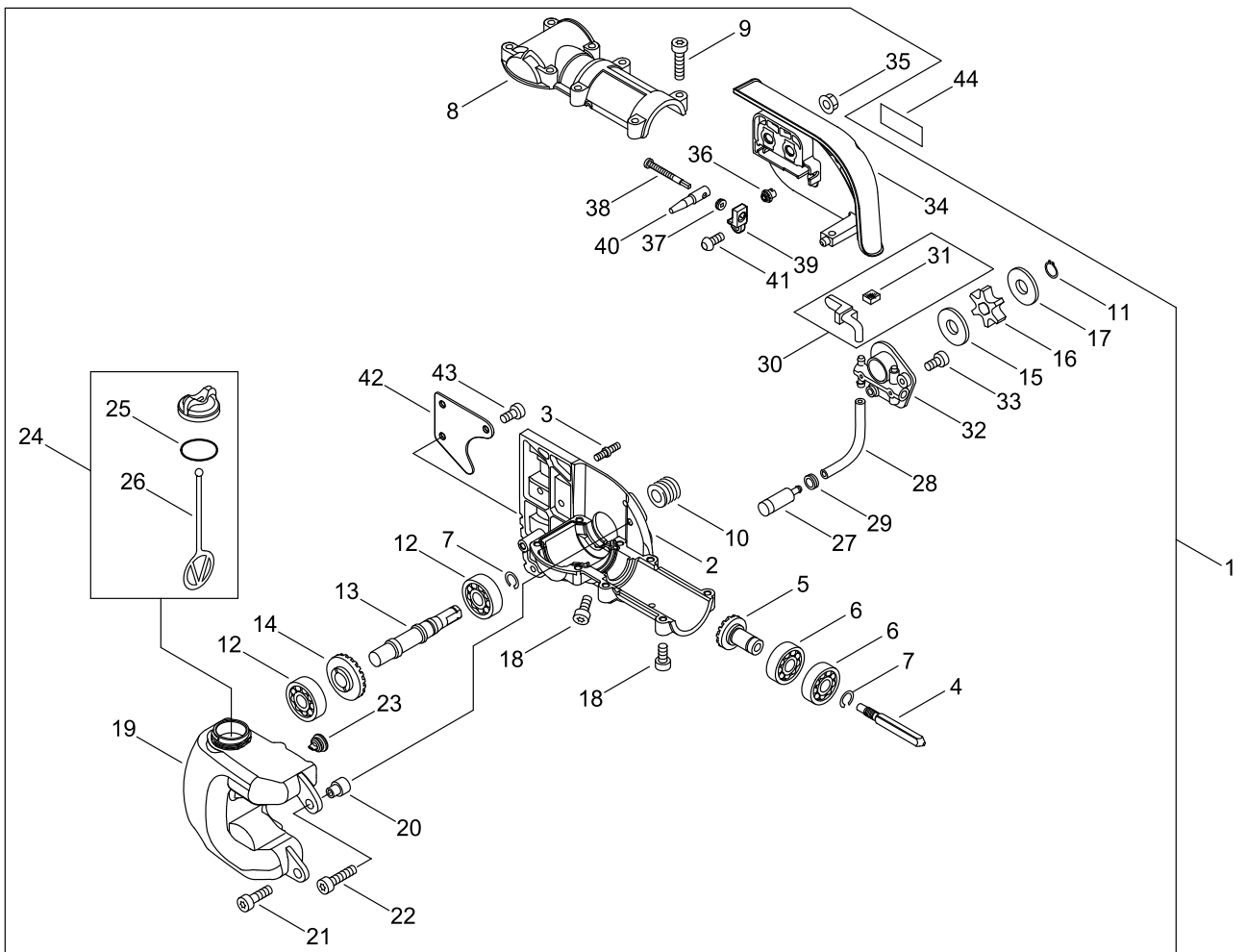
RECOIL STARTER, PULLY



RECOIL STARTER, PULLY

KEY NO	LV(+)	Part No	Description	Qty	Standard	Comment
1		A051-003220	STARTER,RECOIL ASY	1		
2	+	P022-043670	STATER CASE	1		
3	++	P022-045770	GUIDE, ROPE	1		
4	++	P022-022010	NUT	2		
5	+	P022-033320	DRUM, STARTER	1		
6	+	P022-033310	PLATE, CAM	1		
7	+	P022-008270	SPRING,DAMPER	1		
8	+	177220-40630	SPRING, REWIND	1		
9	+	177236-61830	SCREW	1		
10	+	P022-022110	ROPE, STARTER	1		
11	+	177228-27030	GRIP, STARTER	1		
12	+	P022-037670	STOPPER, ROPE	1		
13		A052-000180	PULLEY,ASM STARTER	1		
14	+	P022-006850	PAWL, STARTER	2		
15	+	P022-006510	SPRING, RETURN	2		
16	+	P022-002100	E-RING	2	4	
17		A127-000470	COVER,DUST	1		
18		V805-000140	BOLT, TORX 5	3	TB-5*12 10.9	
19		X562-001130	LABEL,SHINDAIWA	1	SHINDAIWA+ PT262S	

GEAR CASE



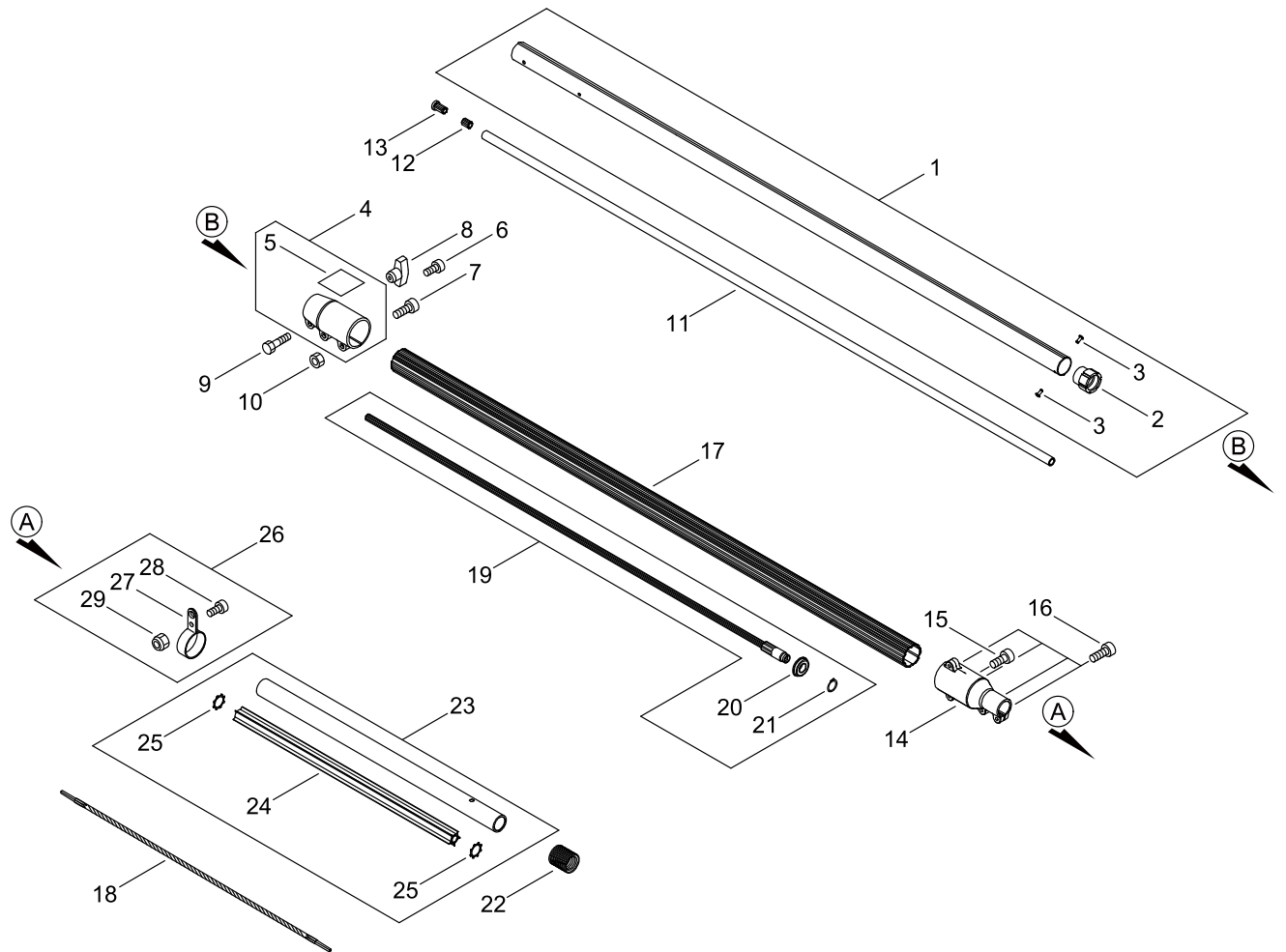
GEAR CASE

KEY NO	LV(+)	Part No	Description	Qty	Standard	Comment
1		P100-006250	CASE ASY, GEAR	1		
2	+	C531-000430	CASE,GEAR	1	LOWER	
3	+	V224-000040	BOLT,STUD 6	2	15MM*19MM M6	
4	+	610025-22361	CONNECTOR, SHAFT	1		
5	+	V651-000210	GEAR,BEVEL	1	MG 0600.2259	
6	+	94052-06001	BEARING BALL	2	PEER LLU,DDU 2RS	
7	+	900706-00012	CIRCLIP 12	2	WR-12	
8	+	C531-000030	CASE,GEAR	1		
9	+	V805-000170	BOLT, TORX 5	8	TB-5*25 10.9	
10	+	437063-38330	GEAR, WORM	1		
11	+	V583-000090	RING	1	EXTERNAL RING	
12	+	94052-06001	BEARING BALL	2	PEER LLU,DDU 2RS	
13	+	C534-000430	SHAFT, GEAR	1		
14	+	V651-000201	GEAR,BEVEL	1	MG 0600.2259	
15	+	175014-39131	WASHER, CLUTCH	1	10.2*24.5*1.2	
16	+	C580-000070	SPROCKET,DRIVE	1		
17	+	V307-000160	WASHER,CIRCULAR 10	1	10.2*29.5*T=1.2	
18	+	V805-000130	BOLT, TORX 5	2	TB-5*10 10.9	
19	+	P100-006460	TANK, OIL	1		
20	+	V354-000010	COLLAR,6	1		
21	+	V805-000160	BOLT, TORX 5	2	TB-5*20 10.9	
22	+	V805-000170	BOLT, TORX 5	1	TB-5*25 10.9	
23	+	131314-06320	VALVE, CHECK	1		
24	+	P021-005601	CAP ASY	1		
25	++	900720-00018	O-RING 18	1	P-18	
26	++	A365-000050	CONNECTOR,CAP	1		
27	+	P100-001900	STRAINER, OIL	1		
28	+	130110-12330	PIPE, IMPULSE	1	3*6*70L	
29	+	132115-01461	GROMMET	1		
30	+	P100-003330	PIPE OIL ASY	1		
31	++	437244-39130	PAD, FORM	1		
32	+	C022-000010	OILER,ASM AUTO	1		
33	+	V805-000130	BOLT, TORX 5	2	TB-5*10 10.9	
34	+	C300-000920	GUARD, SPROCKET	1	COVER W/ SCREW	
35	+	433019-03933	NUT, FLANGE 6	2	6	
36	+	V651-000320	GEAR,BEVEL	1	14 TEETH 10MM LG	
37	+	V651-000310	GEAR,BEVEL	1	14 TEETH 3.0 SQ.	
38	+	V203-000041	BOLT,5	1		
39	+	V355-000140	COLLAR,8	1		
40	+	C309-000030	TENSIONER,CHAIN	1		
41	+	V252-000040	SCREW,4	1	4*8 PT SCREW	
42	+	C649-000140	HOOK	1	BRANCH HOOK	
43	+	V805-000130	BOLT, TORX 5	3	TB-5*10 10.9	

GEAR CASE

KEY NO	LV(+)	Part No	Description	Qty	Standard	Comment
44		X504-007820	LABEL,BRAND	1		

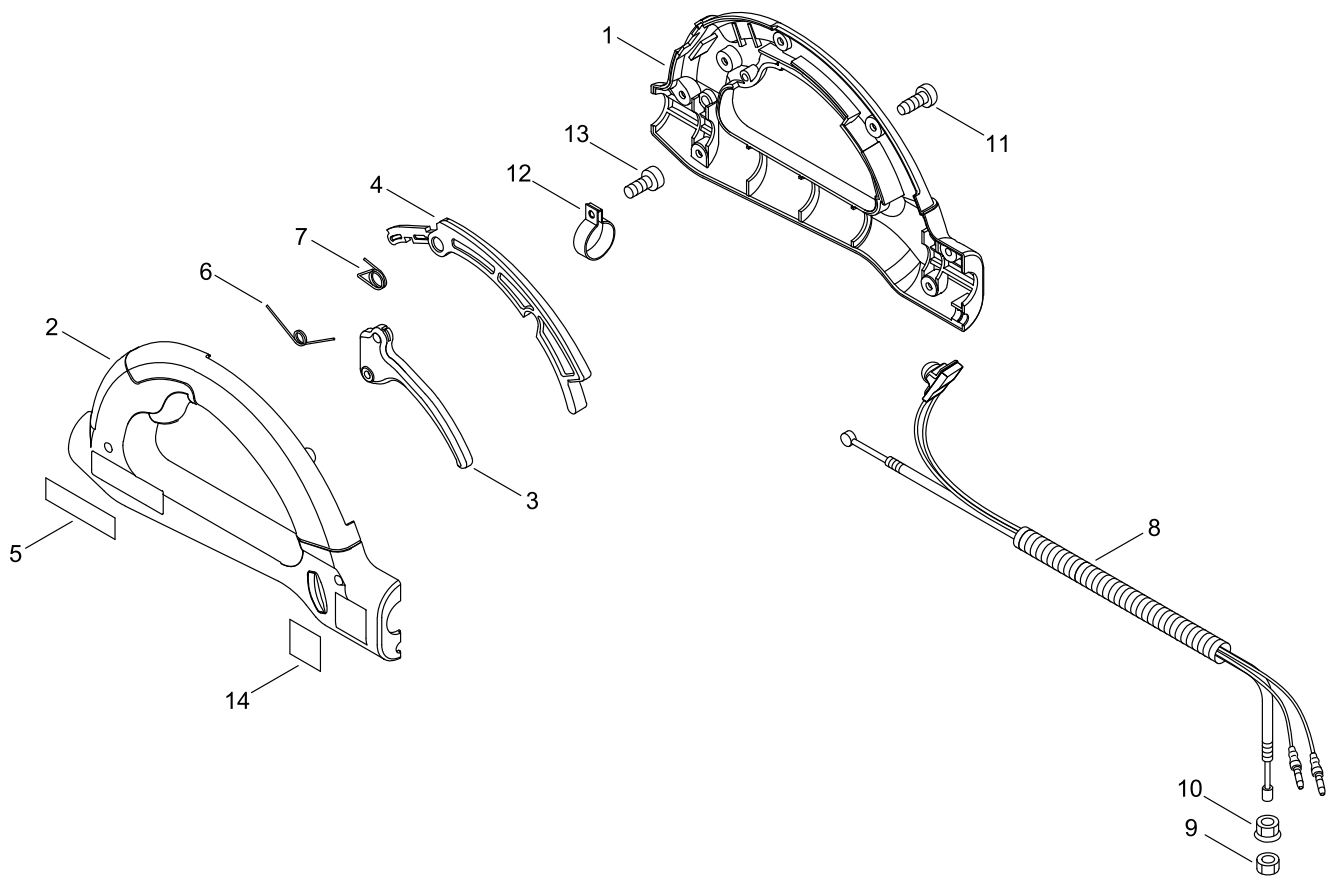
MAIN PIPE



MAIN PIPE

KEY NO	LV(+)	Part No	Description	Qty	Standard	Comment
1		C050-003130	PIPE, MAIN	1	UPPER SHAFT ASM	
2	+	C503-000080	HOLDER, BEARING	1	HOLDER ASSEMBLY	
3	+	890011-22360	RIVET	2		
4		P100-006500	COUPLING,MAIN PIPE	1		
5	+	X505-002372	LABEL,CAUTION	1	15M-50FT PRUNER	
6		V805-000140	BOLT, TORX 5	1	TB-5*12 10.9	
7		V805-000160	BOLT, TORX 5	2	TB-5*20 10.9	
8		V299-000660	KNOB,FASTENER	1	M6X1 WING ASS"Y	
9		900100-06025	BOLT 6*25	1	6*25	
10		900500-00005	NUT 5	2	5	
11		C504-000360	SHAFT, DRIVE	1	OUTER DRIVESHAFT	
12		C509-000090	SOCKET,SHAFT	1	DRIVE SIDE	
13		C509-000080	SOCKET, SHAFT	1	12.2*16.5*25.4	
14		C510-000320	COUPLING, MAIN PIPE	1	MACHINING	
15		V805-000150	BOLT, TORX 5	1	TB-5*16 10.9	
16		V805-000160	BOLT, TORX 5	4	TB-5*20 10.9	
17		C500-000790	PIPE,MAIN	1	39MM ID * 1416.1	
18		C506-000520	SHAFT, FLEXIBLE	1	NO CAPS	
19		C504-001320	SHAFT, DRIVE	1	3/8" SHAFT ASM	
20	+	94052-36002	BEARING, BALL	1	PEER LLU,DDU	
21	+	100229-22460	RING	1		
22		V475-004000	TUBE	1	25MM*32MM*35MM	
23		C500-000830	PIPE, MAIN	1	450MM MACHINED	
24	+	C507-000180	LINER, FLEXIBLE	1	.435 I.D.	
25	+	V583-000110	RING	2	.625ID * .875OD	
26		P021-049240	HANGER ASY	1		
27	+	300610-22061	BRACKET, HARNESS	1	24.69/24.84 I.D.	
28	+	V805-000130	BOLT, TORX 5	1	TB-5*10 10.9	
29	+	V263-000080	NUT,5	1	M5*0.8 LOCK NUT	

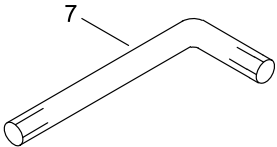
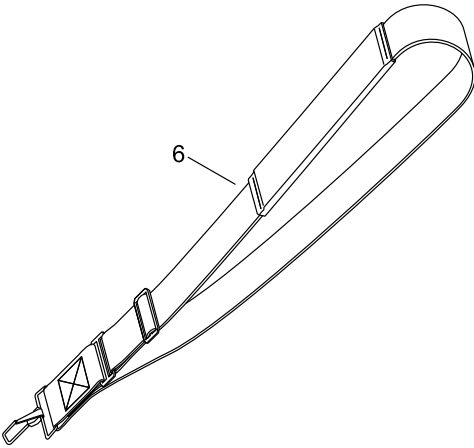
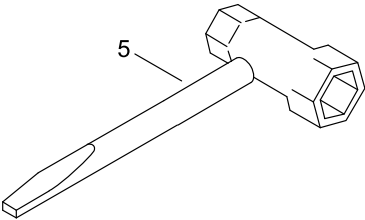
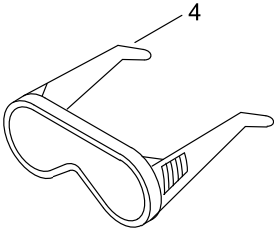
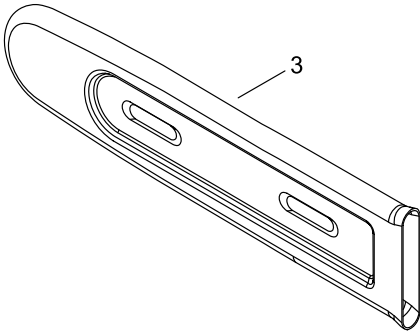
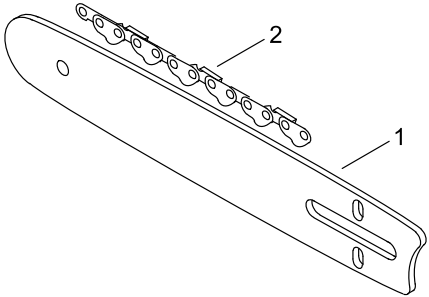
THROTTLE



THROTTLE

KEY NO	LV(+)	Part No	Description	Qty	Standard	Comment
1		C041-000001	HANDLE,ASM REAR	1	OVERMOLD - RIGHT	
2		C041-000011	HANDLE,ASM REAR	1	OVERMOLD - LEFT	
3		C450-000820	TRIGGER,THROTTLE	1	PPT HANDLE	
4		C460-000460	LOCKOUT,THROTTLE	1	PPT HANDLE	
5		X504-007830	LABEL,BRAND	2		
6		V452-000330	SPRING,TORSION	1	30MM*8 DIA.*30MM	
7		V452-000340	SPRING,TORSION	1	10.5MM I.D.	
8		P100-006240	CABLE ASY, CONTROL	1		
9		900502-00006	NUT 6 (3N)	1	3N6	
10		900518-00006	NUT, FLANGE	1	6	
11		V805-000000	BOLT, TORX 5	7	TT-5*16 DG 10.9	
12		V495-003020	BAND	2		
13		V805-000150	BOLT, TORX 5	2	TB-5*16 10.9	
14		X505-002362	LABEL,CAUTION	1	4-ISO SYMBOLS	

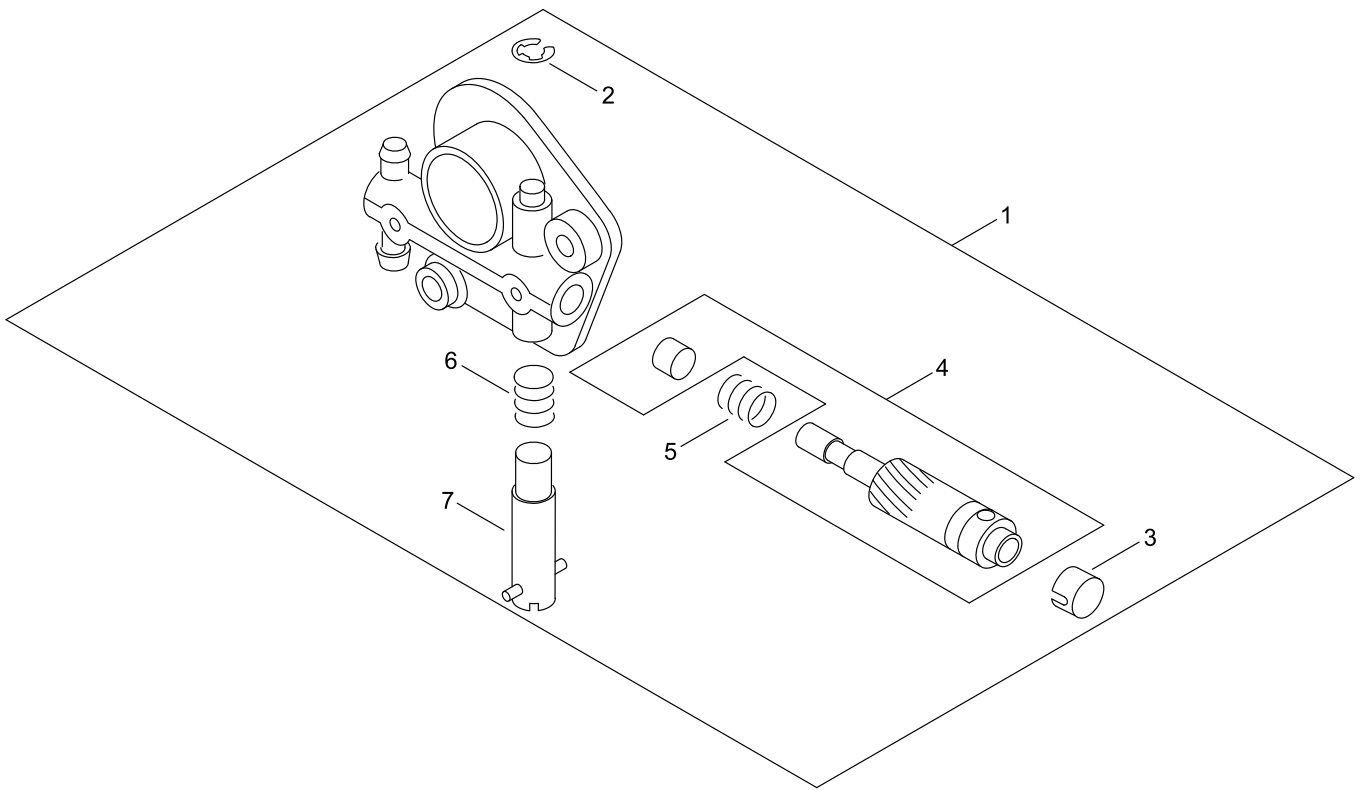
ACCESSORIES



ACCESSORIES

KEY NO	LV(+)	Part No	Description	Qty	Standard	Comment
1		X122-000330	BAR,GUIDE 30	1		
2		X222-000110	CHAIN,SAW	1	91VXL-44E	
3		X490-000290	CHAIN COVER	1		
4		X690-000080	GOGGLE	1	SI CHINA, Z87.1	
5		X601-000030	TOOL,BOX SPANNER	1	10X16 L135 USM	
6		301000-22060	HARNESS ASY, SHOULDER	1		
7		X605-000060	TOOL,L WRENCH	1	80*30 T27 2- ENDS	

OILER



OILER

KEY NO	LV(+)	Part No	Description	Qty	Standard	Comment
1		C022-000010	OILER,ASM AUTO	1		
2	+	125327-15130	CLIP	1		
3	+	P022-010640	CAP, OIL PUMP	1		
4	+	P022-010650	PLUNGER	1		
5	+	P022-010660	SPRING	1		
6	+	P022-010670	SPRING	1		
7	+	P022-010680	SCREW ASS'Y, ADJUST	1		

NUMERICAL PARTS INDEX

Part No	Part description	Page	Part No	Part description	Page	Part No	Part description	Page
100013-3-5430	PIN, PISTON	2	175014-3-9131	WASHER, CLUTCH	20	900706-0-0012	CIRCLIP 12	20
100014-5-3630	SPACER, PISTON PIN	2	175046-5-6030	SHAFT, CLUTCH	8	900720-0-0018	O-RING 18	20
100015-0-3931	CIRCLIP, PISTON PIN	2	175048-0-5530	WASHER (I)	8	900720-0-0022	O-RING 22	6
100142-1-2330	KEY, WOODRUFF	6	175049-5-6030	WASHER	8	900800-3-6001	BEARING, BALL 6001	4
100212-4-2031	OILSEAL	4	177220-4-0630	SPRING, REWIND	18	900810-3-6000	BEARING, BALL	4
100229-2-2460	RING	24	177228-2-7030	GRIP, STARTER	18	94009-06-902	BEARING, BALL	8
123114-4-0630	SCREW	12	177236-6-1830	SCREW	18	94052-06-001	BEARING BALL	20
123126-1-0631	SCREEN, INLET	12	300610-2-2061	BRACKET, HARNESS	24	94052-36-002	BEARING, BALL	24
123137-1-9830	VALVE, INLET NEEDLE	12	301000-2-2060	HARNESS ASY, SHOULDER	28	A011-00-1460	CRANKSHAFT,ASY	2
123138-0-3930	PIN, METERING LEVER	12	433019-0-3933	NUT, FLANGE 6	20	A021-00-4600	CARBURETOR, DIAPHRAGM	10
123140-2-7230	GASKET,M. DIAPHRAGM	12	437063-3-8330	GEAR, WORM	20	A021-00-4600	CARBURETOR, DIAPHRAGM	12
123142-0-3930	COVER, M. DIAPHRAGM	12	437244-3-9130	PAD, FORM	20	A051-00-3220	STARTER,RECOIL ASY	18
123173-0-7930	CLIP	12	610025-2-2361	CONNECTOR, SHAFT	20	A052-00-0180	PULLEY,ASM STARTER	18
123181-0-9560	PUMP, PRIMER	12	890011-2-2360	RIVET	24	A101-00-0010	RING,PISTON	2
125327-1-5130	CLIP	30	900100-0-6025	BOLT 6*25	24	A127-00-0470	COVER,DUST	18
130110-1-2330	PIPE, IMPULSE	20	900330-4-0080	PIN F 4*8	8	A130-00-2330	CYLINDER	2
131016-5-5830	GASKET, FUEL CAP	14	900500-0-0005	NUT 5	24	A160-00-3290	COVER,CYLINDER	2
131314-0-6320	VALVE, CHECK	20	900502-0-0006	NUT 6 (3N)	26	A172-00-3281	COVER,FAN	8
132010-0-6530	PIPE 3*6* 85	14	900515-0-0008	NUT, FLANGE 8	6	A175-00-0040	STAND	14
132012-5-6030	PIPE	14	900518-0-0006	NUT, FLANGE	26	A202-00-0300	BELLOWS, INTAKE	10
132115-0-1461	GROMMET	20	900602-0-0005	WASHER 5	14	A206-00-0040	HOLDER, BELLOWS	10
132115-5-5930	GROMMET, FUEL	14	900701-0-0015	CIRCLIP 15	8	A209-00-1000	PLATE, INSULATOR	10
145862-4-0630	SCREEN, MUFFLER	16	900702-0-0028	CIRCLIP 28	8	A209-00-1010	PLATE, INSULATOR	10
156110-0-4920	BUSHING	6	900702-0-0042	CIRCLIP 42	8	A226-00-2030	ELEMENT, AIR FILTER	10

NUMERICAL PARTS INDEX

Part No	Part description	Page	Part No	Part description	Page	Part No	Part description	Page
A226-00-2040	ELEMENT, AIR FILTER	10	C050-00-3130	PIPE, MAIN	24	P003-00-1710	WASHER	12
A227-00-0050	PLATE, ELEMENT	10	C152-00-1030	CONNECTOR	6	P003-00-4510	COVER, FUEL PUMP	12
A244-00-0370	PLATE,PREVENT	10	C300-00-0920	GUARD, SPROCKET	20	P003-00-4530	GASKET, FUEL PUMP	12
A313-00-2060	GUIDE, EXHAUST	16	C309-00-0030	TENSIONER,CHAIN	20	P003-00-4540	DIAPHRAGM, FUEL PUMP	12
A320-00-1200	COVER,MUFFLER	16	C450-00-0820	TRIGGER, THROTTLE	26	P003-00-4560	SCREW	12
A350-00-2350	TANK, FUEL	14	C460-00-0460	LOCKOUT, THROTTLE	26	P003-00-4570	SCREW	12
A356-00-0031	VALVE,CHECK	14	C500-00-0790	PIPE,MAIN	24	P003-00-5300	BODY ASSEMBLY, PUMP	12
A365-00-0050	CONNECTOR,CAP	20	C500-00-0830	PIPE, MAIN	24	P003-00-5850	SWIVEL	12
A365-00-0060	CONNECTOR,CAP	14	C503-00-0080	HOLDER, BEARING	24	P003-00-5860	SCREW	12
A369-00-0470	STRAINER, FUEL	14	C504-00-0360	SHAFT, DRIVE	24	P003-00-5870	SPRING	12
A409-00-1320	ROTOR, MAGNETO	6	C504-00-1320	SHAFT, DRIVE	24	P003-00-5880	NEEDLE	12
A411-00-1790	COIL, IGNITION	6	C506-00-0520	SHAFT, FLEXIBLE	24	P003-00-5890	CLIP	12
A413-00-0090	BOOT	8	C507-00-0180	LINER, FLEXIBLE	24	P003-00-5900	PLATE	12
A425-00-0060	SPARKPLUG	6	C509-00-0080	SOCKET, SHAFT	24	P021-00-5601	CAP ASY	20
A426-00-0010	TERMINAL, SPARKPLUG	6	C509-00-0090	SOCKET,SHAFT	24	P021-03-5680	FUEL CAP ASY	14
A427-00-0090	PLUG CAP	6	C510-00-0320	COUPLING, MAIN PIPE	24	P021-04-9240	HANGER ASY	24
A429-00-0110	PLUG CAP COVER	6	C531-00-0030	CASE,GEAR	20	P021-05-0840	PISTON KIT	2
A430-00-0010	WIRE,SHIELD	6	C531-00-0430	CASE,GEAR	20	P021-05-0850	CRANKCASE KIT	4
A556-00-1780	DRUM, CLUTCH	8	C534-00-0430	SHAFT, GEAR	20	P021-05-1160	CLEANER CASE ASY	10
A575-00-0690	FIXTURE, MAIN PIPE	8	C580-00-0070	SPROCKET,DRIVE	20	P022-00-2100	E-RING	18
C022-00-0010	OILER,ASM AUTO	20	C649-00-0140	HOOK	20	P022-00-6510	SPRING, RETURN	18
C022-00-0010	OILER,ASM AUTO	30	J473-00-0120	PIECE,COVER	6	P022-00-6850	PAWL, STARTER	18
C041-00-0001	HANDLE,ASM REAR	26	P003-00-1630	LEVER, METERING	12	P022-00-8270	SPRING,DAMPER	18
C041-00-0011	HANDLE,ASM REAR	26	P003-00-1670	DIAPHRAGM, METERING	12	P022-01-0640	CAP, OIL PUMP	30

NUMERICAL PARTS INDEX

Part No	Part description	Page	Part No	Part description	Page	Part No	Part description	Page
P022-01-0650	PLUNGER	30	V103-00-1900	GASKET,INTAKE	10	V490-00-1240	CLIP	14
P022-01-0660	SPRING	30	V104-00-2300	GASKET,EXHAUST	16	V495-00-3020	BAND	26
P022-01-0670	SPRING	30	V104-00-2310	GASKET,EXHAUST	16	V503-00-0040	SEAL,OIL 10	4
P022-01-0680	SCREW ASS'Y, ADJUST	30	V151-00-0170	PLATE,CUP	6	V554-00-0020	BEARING,NEEDLE 9	2
P022-02-2010	NUT	18	V186-00-0500	JOINT,PIPE	14	V583-00-0090	RING	20
P022-02-2110	ROPE, STARTER	18	V203-00-0041	BOLT,5	20	V583-00-0110	RING	24
P022-03-3310	PLATE, CAM	18	V224-00-0040	BOLT,STUD 6	20	V651-00-0201	GEAR,BEVEL	20
P022-03-3320	DRUM, STARTER	18	V252-00-0040	SCREW,4	20	V651-00-0210	GEAR,BEVEL	20
P022-03-7670	STOPPER, ROPE	18	V253-00-1020	SCREW,5	10	V651-00-0310	GEAR,BEVEL	20
P022-04-3670	STATER CASE	18	V263-00-0080	NUT,5	24	V651-00-0320	GEAR,BEVEL	20
P022-04-5770	GUIDE, ROPE	18	V299-00-0640	KNOB,FASTENER	10	V804-00-0030	BOLT, TORX 4	16
P100-00-1900	STRAINER, OIL	20	V299-00-0660	KNOB,FASTENER	24	V805-00-0000	BOLT, TORX 5	26
P100-00-2270	ARM,CLUTCH SET	8	V307-00-0160	WASHER,CIRCULAR 10	20	V805-00-0130	BOLT, TORX 5	20
P100-00-3330	PIPE OIL ASY	20	V323-00-0070	WASHER,CIRCULAR 5	6	V805-00-0130	BOLT, TORX 5	24
P100-00-3600	LID,CLEANER ASY	10	V354-00-0010	COLLAR,6	20	V805-00-0140	BOLT, TORX 5	18
P100-00-4020	MUFFLER ASY	16	V355-00-0140	COLLAR,8	20	V805-00-0140	BOLT, TORX 5	24
P100-00-6230	FAN COVER ASY	8	V451-00-1390	SPRING,TENSION	8	V805-00-0150	BOLT, TORX 5	8
P100-00-6240	CABLE ASY, CONTROL	26	V452-00-0330	SPRING,TORSION	26	V805-00-0150	BOLT, TORX 5	10
P100-00-6250	CASE ASY, GEAR	20	V452-00-0340	SPRING,TORSION	26	V805-00-0150	BOLT, TORX 5	24
P100-00-6460	TANK, OIL	20	V471-00-1230	PIPE	14	V805-00-0150	BOLT, TORX 5	26
P100-00-6500	COUPLING,MAIN PIPE	24	V475-00-4000	TUBE	24	V805-00-0160	BOLT, TORX 5	8
V100-00-0840	GASKET,CYL	2	V475-00-7540	TUBE	6	V805-00-0160	BOLT, TORX 5	14
V102-00-0300	GASKET, CRANKCASE	4	V485-00-2880	LEAD	6	V805-00-0160	BOLT, TORX 5	20
V103-00-1890	GASKET,INTAKE	10	V490-00-1230	CLIP	14	V805-00-0160	BOLT, TORX 5	24

NUMERICAL PARTS INDEX

Part No	Part description	Page	Part No	Part description	Page
V805-00-0170	BOLT, TORX 5	8	X690-00-0080	GOGGLE	28
V805-00-0170	BOLT, TORX 5	14			
V805-00-0170	BOLT, TORX 5	20			
V805-00-0210	BOLT, TORX 5	2			
V805-00-0210	BOLT, TORX 5	6			
V805-00-0220	BOLT, TORX 5	4			
V805-00-0250	BOLT, TORX 5	16			
V805-00-0340	BOLT, TORX 5	10			
V835-00-0010	BOLT, TORX 5	2			
V835-00-0010	BOLT, TORX 5	16			
V855-00-0000	BOLT, TORX 5	10			
X122-00-0330	BAR,GUIDE 30	28			
X222-00-0110	CHAIN,SAW	28			
X490-00-0290	CHAIN COVER	28			
X504-00-7820	LABEL,BRAND	22			
X504-00-7830	LABEL,BRAND	26			
X505-00-2362	LABEL,CAUTION	26			
X505-00-2372	LABEL,CAUTION	24			
X506-00-0170	LABEL,CHOKE	10			
X524-00-1901	LABEL	10			
X562-00-1130	LABEL,SHINDAIWA	18			
X562-00-1140	LABEL,SHINDAIWA	2			
X601-00-0030	TOOL,BOX SPANNER	28			
X605-00-0060	TOOL,L WRENCH	28			