

# PPT-265ES

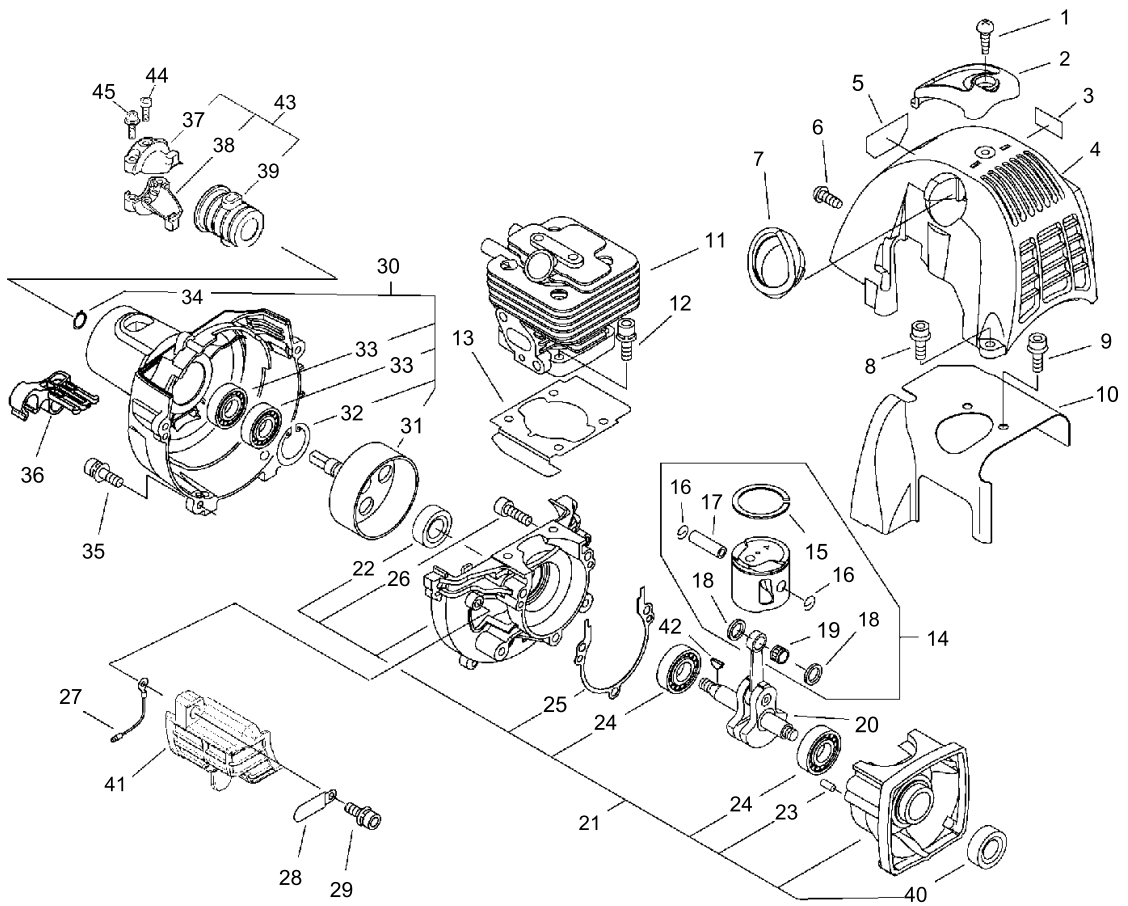
Published:12/22/2017

## TABLE OF CONTENTS

---

Cylinder, Crankcase, Piston.....	1
Starter, Magneto .....	3
Air Cleaner, Muffler .....	5
Fuel Tank.....	7
Gear Case, Guide Bar & Chain.....	9
Handle .....	13
Main Pipe(Sr/Nr 37002753 and before) .....	15
Main Pipe(Sr/Nr 37002754 and after).....	17
Carburettor .....	19
Repair Kit.....	21

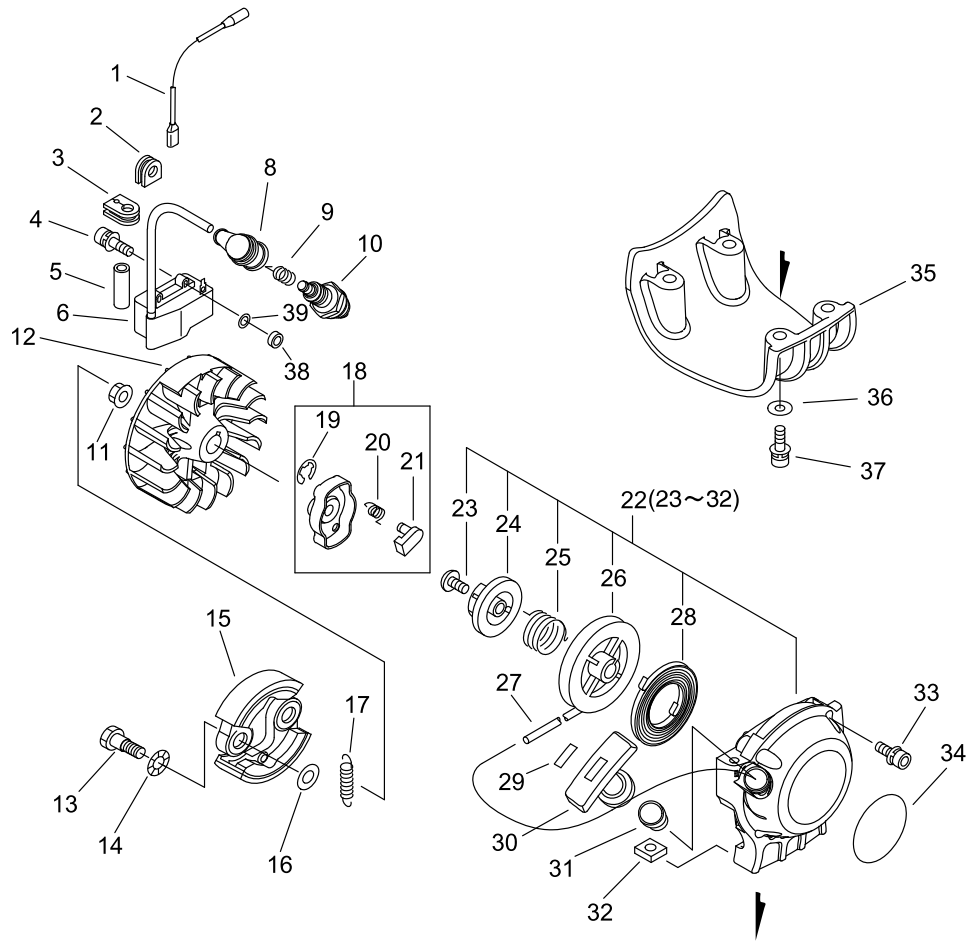
# Cylinder, Crankcase, Piston



## Cylinder, Crankcase, Piston

KEY NO	LV(+)	Part No	Description	Qty	Standard	Comment
1		900256-05016	SCREW, TAPPING	1	5*16	
2		A162-000100	GUARD, TOP	1		
3		X505-002310	LABEL, CAUTION	1	HOT CAUTION	
4		A160-000780	COVER, CYLINDER	1		
5		X547-000700	LABEL, ECHO	1	ECHO+ SRM-265ES	
6		91140-05012	BOLT	1	M5*12	
7		A162-000080	GUARD, TOP	1		
8		900106-05014	BOLT, H.S. 5*14	1	5*14	
9		900106-05008	BOLT, H.S. 5* 8	2	5*8	
10		A160-000691	COVER, CYLINDER	1		
11		A130-000761	CYLINDER	1		
12		900162-05025	BOLT, H.S. 5*25	4	5*25 W,SW	
13		V100-000210	GASKET, CYL	1	T0.5 38.1	
14		P021-009771	PISTON KIT	1		
15	+	A101-000170	RING, PISTON	1	34*1.5*1.5	
16	+	100015-03931	CIRCLIP, PISTON PIN	2		
17	+	100013-35430	PIN, PISTON	1	6*9*27.8	
18	+	100014-53630	SPACER, PISTON PIN	2		
19	+	100012-16131	BEARING, NEEDLE	1		
20		A011-000434	CRANKSHAFT, ASY	1		
21		P021-010801	CRANKCASE KIT	1		
22	+	100212-42031	OILSEAL	1	ISCD 12*22*4.5	
40	+	V505-000050	SEAL, OIL 12	1		
23	+	100215-03930	PIN, DOWEL	2		
24	+	94035-36201	BEARING BALL	2	6201X3JR2C3	
25	+	100242-42030	GASKET, CRANKCASE	1		
26	+	900162-05028	BOLT, H.S. 5*28	3	5*28 W,SW	
27		156635-43130	LEAD, GROUND	1		
28		159116-21231	CLAMP	1		
29		900162-05016	BOLT, H.S. 5*16	1	5*16 W,SW	
30		P021-013760	COVER ASY, FAN	1		
31	+	A556-000280	DRUM, CLUTCH	1		
32	+	900702-00028	CIRCLIP 28	1	CR-28	
33	+	900807-06001	BEARING, BALL 6001	2	6001V(LB)	
34	+	900701-00012	CIRCLIP 12	1	CS-12	
35		900163-04016	BOLT HSH	4		
36		V491-000180	CLIP	1		
43		P021-009380	FIXTURE, MAIN PIPE	1		
37	+	A575-000122	FIXTURE, MAIN PIPE	1		
38	+	A575-000132	FIXTURE, MAIN PIPE	1		
39	+	V420-001081	CUSHION	1		
41		A127-000160	COVER, DUST	1		
42		100142-12330	KEY, WOODRUFF	1		
44		900105-05012	BOLT, H.S. 5*12	1	5*12	
45		900162-05025	BOLT, H.S. 5*25	2	5*25 W,SW	

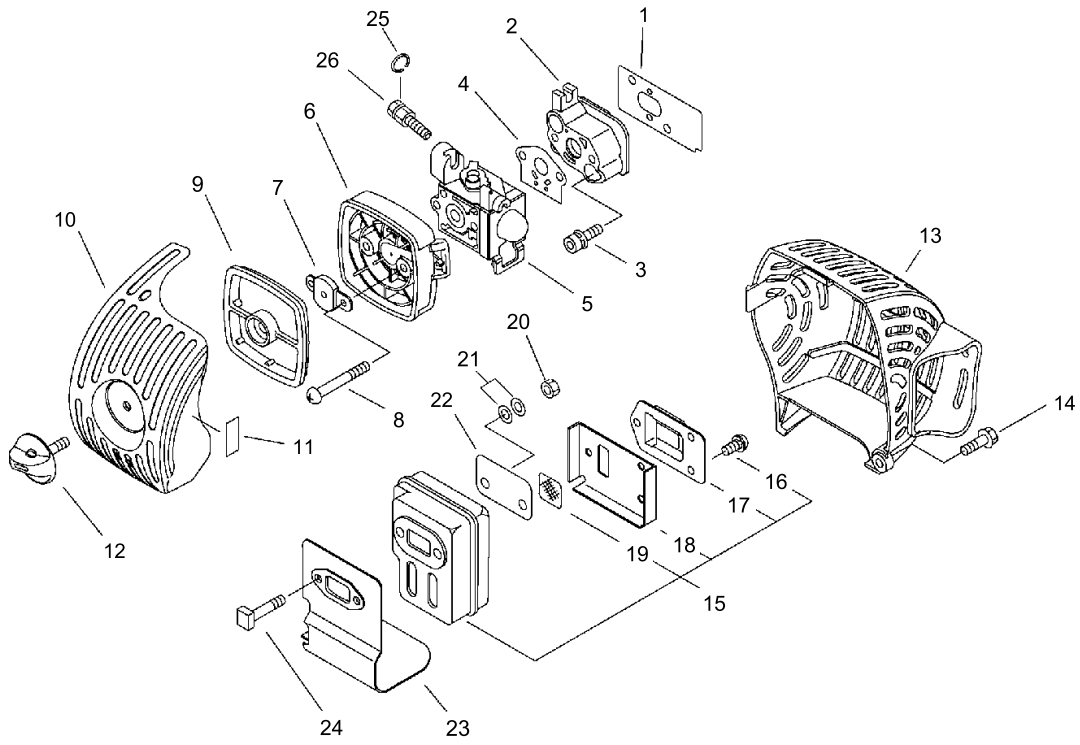
# Starter, Magneto



## Starter, Magneto

KEY NO	LV(+)	Part No	Description	Qty	Standard	Comment
1		162010-04561	LEAD, GROUND	1	210L	
2		156110-04920	BUSHING	1		
3		V135-000030	GROMMET,HT CORD	1		
4		V202-000130	BOLT,4	2	CBF-4*20	
5		V475-003380	TUBE	1		
6		A411-000250	COIL, IGNITION	1	ID#C10048	
8		A427-000013	CAP,SPARK PLUG	1		
9		A426-000010	TERMINAL,SPARKPLUG	1		
10		A425-000000	SPARKPLUG	1	BPMR8Y	
11		900515-00008	NUT, FLANGE 8	1	8	
12		A409-000310	ROTOR, MAGNETO	1	ID:C10744G	
13		175046-56030	SHAFT, CLUTCH	2		
14		175049-56030	WASHER	2	8.5*16*0.5	
15		A553-000010	ARM,CLUTCH	2		
16		175048-05530	WASHER (I)	2	6.2*19*1.0	
17		V451-000400	SPRING,TENSION	1		
18		A052-000180	PULLEY,ASM STARTER	1		
19	+	P022-002100	E-RING	2	4	
20	+	P022-006510	SPRING, RETURN	2		
21	+	P022-006850	PAWL, STARTER	2		
22		A051-000940	STARTER,RECOIL ASY	1		
23	+	177236-61830	SCREW	1		
24	+	P022-008280	PLATE, CAM(TI12-511)	1		
25	+	P022-008270	SPRING,DAMPER	1		
26	+	P022-006830	DRUM	1		
27	+	P022-008260	ROPE	1	3M/M	
28	+	177220-42030	SPRING, REWIND	1		
29	+	177246-11120	CLIP, STARTER ROPE	1		
30	+	177228-27030	GRIP, STARTER	1		
31	+	177227-42030	GUIDE, ROPE	1		
32	+	900565-00005	NUT	4	5	
33		900163-04016	BOLT HSH	4		
34		X502-000330	LABEL,ECHO	1	ECHO	
35		A175-000030	STAND	1		
36		900603-00005	WASHER 5	4	5.5*12*0.8	
37		91118-05025	BOLT	4	CM-5*25	
38		V322-000031	WASHER,CIRCULAR 4	2		
39		900603-00004	WASHER 4	2	4.5*10*0.8	

# Air Cleaner, Muffler

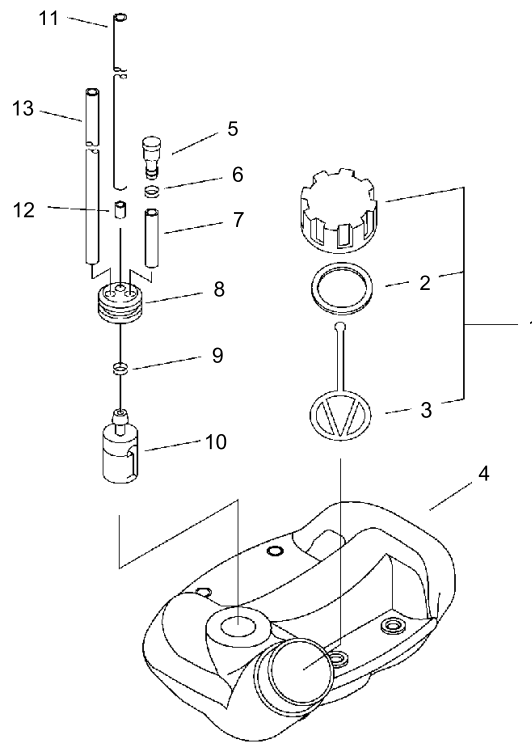


## Air Cleaner, Muffler

KEY NO	LV(+)	Part No	Description	Qty	Standard	Comment
1		V103-000210	GASKET,INTAKE	1		
2		A200-000200	INSULATOR,INTAKE	1		
3		900162-05025	BOLT, H.S. 5*25	2	5*25 W,SW	
4		V103-000270	GASKET,INTAKE	1	T1.5-11	
5		A021-001530	CARBURETOR, DIAPHRAGM	1	RB-K	
6		P021-004480	CASE, AIR CLEANER	1		
7		129011-52730	PLATE, PREVENT	1		
8		900242-05065	SCREW 5*65	2	5*65	
9		130310-54130	FILTER, AIR	1		
10		A232-000330	LID,CLEANER	1		
11		890332-52730	LABEL, CHOKE	1		
12		V299-000250	KNOB,FASTENER	1		
13		A320-000340	COVER,MUFFLER	1		
14		91121-05016	BOLT, FLANGE	1	10.9 SILVER	
15		P021-011580	MUFFLER ASY	1		
16	+	91367-04010	SCREW	3	4*10/SW(SUS)	
17	+	A313-000830	GUIDE, EXHAUST	1	ID#1330	
18	+	V104-000790	GASKET,EXHAUST	1		
19	+	145862-40630	SCREEN, MUFFLER	1		
20		900500-00005	NUT 5	2	5	
21		92280-05000	WASHER, NORD-LOCK	2	NL5 5.4*9*1.8	
22		V150-001760	PLATE,EYE	1		
23		V104-000780	GASKET,EXHAUST	1		
24		V203-000120	BOLT,5	2	L=60	
25		100015-00120	CIRCLIP, PISTON PIN	1		
26		C486-000000	CABLE, ADJUSTER	1		



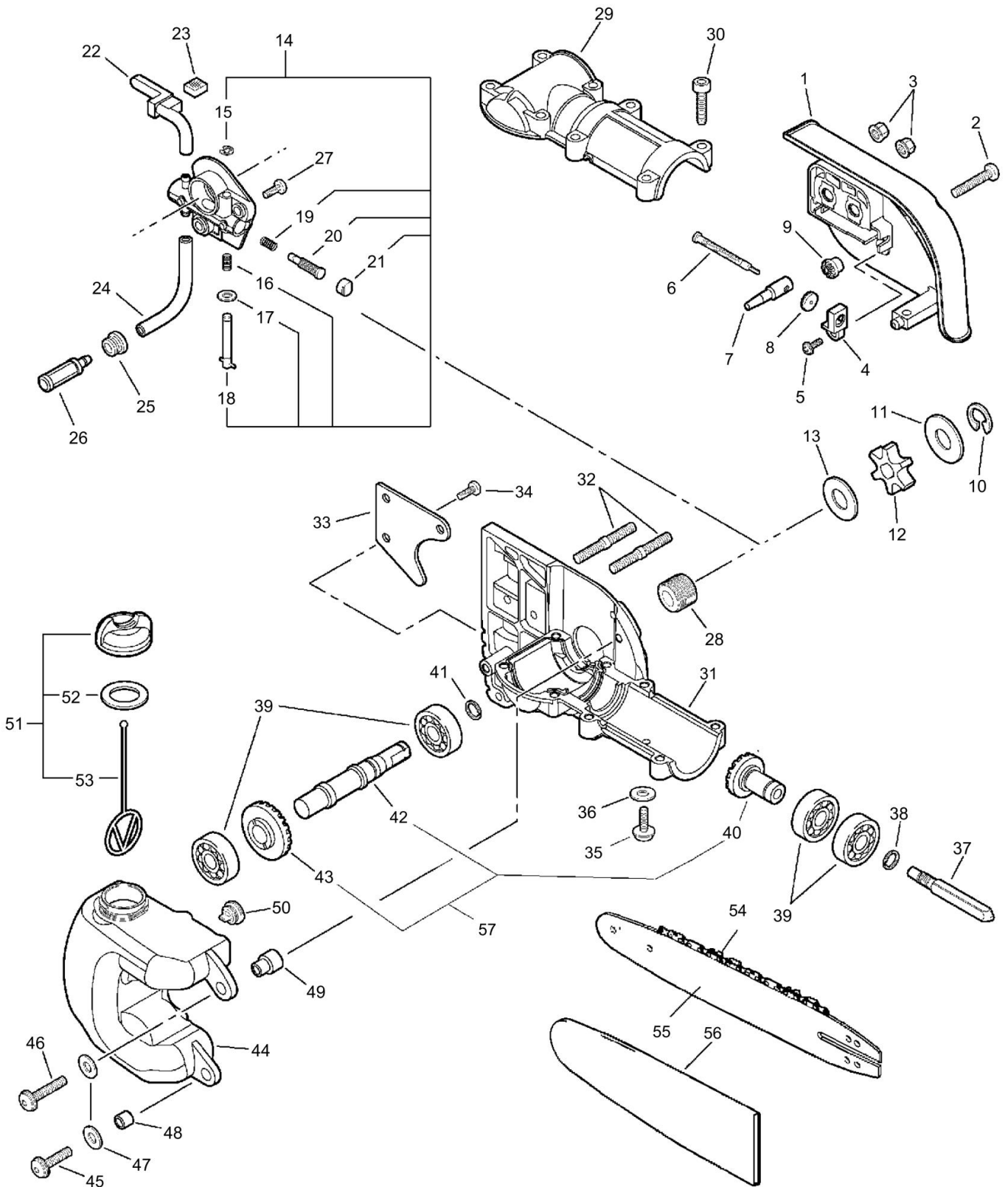
# Fuel Tank



## Fuel Tank

KEY NO	LV(+)	Part No	Description	Qty	Standard	Comment
1		P021-001240	CAP,FUEL ASSY	1		
2	+	131016-55830	GASKET, FUEL CAP	1		
3	+	A365-000060	CONNECTOR,CAP	1	L=123	
4		A350-000440	TANK, FUEL	1		
5		A356-000030	VALVE,CHECK	1		
6		132013-26630	CLIP	1	6.5MM	
7		V471-001180	PIPE	1	3*6*35 NBR	
8		132115-55930	GROMMET, FUEL	1		
9		132013-09820	CLIP	1	6MM	
10		131205-19830	STRAINER, FUEL	1		
11		V470-000580	PIPE	1	3*5*195	
12		132001-15030	VALVE, CHECK	1		
13		132010-40830	PIPE 3* 6* 75	1	3*6*75 YL	

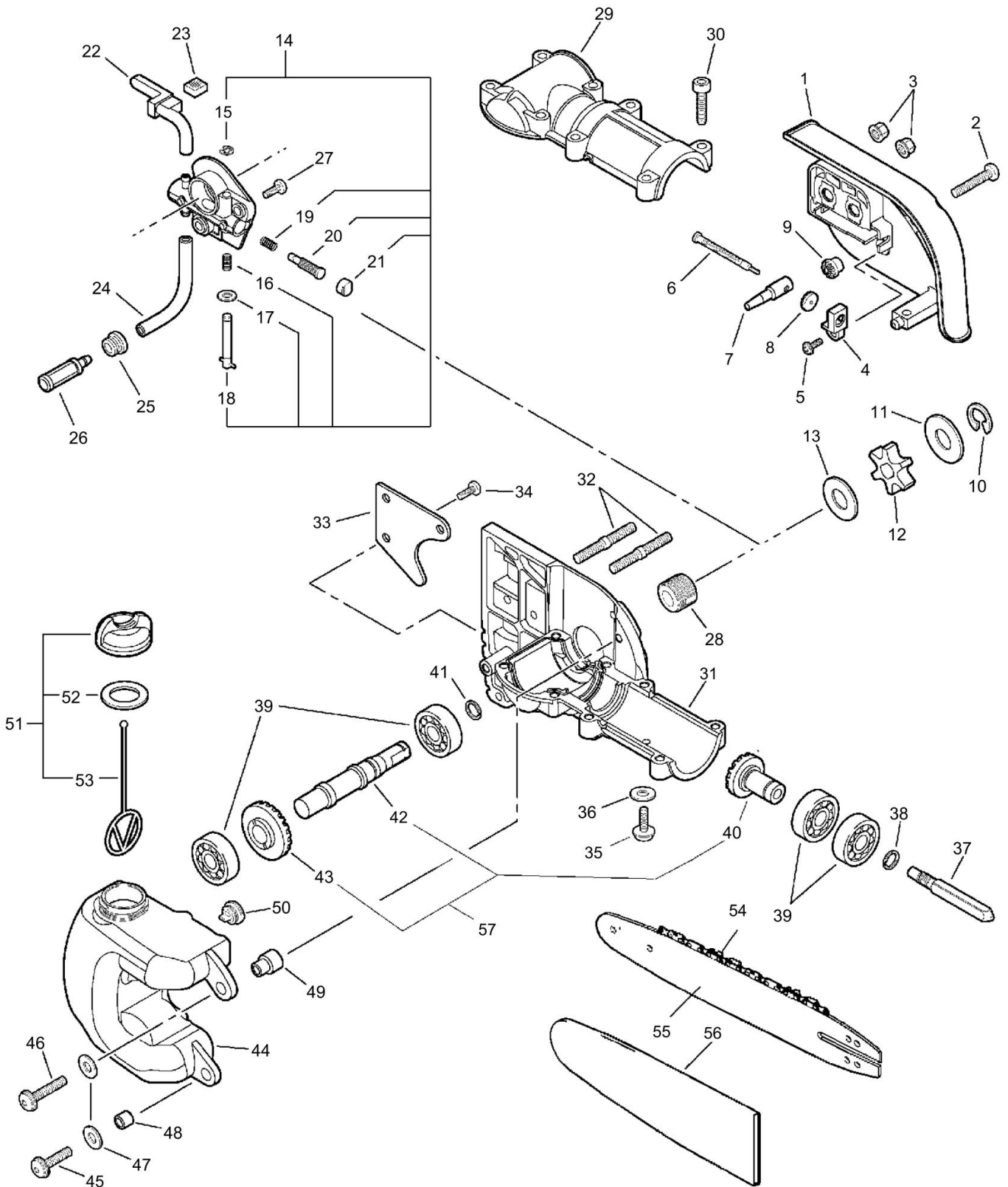
# Gear Case, Guide Bar & Chain



## Gear Case, Guide Bar &amp; Chain

KEY NO	LV(+)	Part No	Description	Qty	Standard	Comment
1		C300-000360	GUARD, SPROCKET	1	PPT-265	S C300-000361
1		C300-000361	GUARD, SPROCKET	1		
2		V253-000180	SCREW,5	1	M5*20 PAN	
3		433019-03933	NUT, FLANGE 6	2	6	
4		V355-000140	COLLAR,8	1		
5		V252-000040	SCREW,4	1	4*8 PT SCREW	
6		V203-000041	BOLT,5	1		
7		C309-000030	TENSIONER,CHAIN	1		
8		V651-000310	GEAR,BEVEL	1	14 TEETH 3.0 SQ.	
9		V651-000320	GEAR,BEVEL	1	14 TEETH 10MM LG	
10		V583-000090	RING	1	EXTERNAL RING	
11		V307-000160	WASHER,CIRCULAR 10	1	10.2*29.5*T=1.2	
12		C580-000070	SPROCKET,DRIVE	1		
13		175014-39131	WASHER, CLUTCH	1	10.2*24.5*1.2	
14		C022-000010	OILER,ASM AUTO	1		
15	+	125327-15130	CLIP	1		
16	+	P022-010670	SPRING	1		
17	+	437029-37330	WASHER	1		
18	+	P022-010680	SCREW ASS'Y, ADJUST	1		
19	+	P022-010660	SPRING	1		
20	+	P022-010650	PLUNGER	1		
21	+	P022-010640	CAP, OIL PUMP	1		
22		V470-000180	PIPE	1		
23		437244-39130	PAD, FORM	1		
24		130110-12330	PIPE, IMPULSE	1	3*6*70L	
25		132115-01461	GROMMET	1		
26		436205-02832	STRAINER, OIL	1		
27		V253-000200	SCREW,5	2	M5*10 PAN MS	
28		437063-38330	GEAR, WORM	1		
29		C531-000030	CASE,GEAR	1		
30		V253-000240	SCREW,5	1	M5*25 PAN MS	
31		C531-000430	CASE,GEAR	1	LOWER	
32		V224-000040	BOLT,STUD 6	2	15MM*19MM M6	
33		C649-000140	HOOK	1	BRANCH HOOK	
34		V253-000200	SCREW,5	1	M5*10 PAN MS	
35		900109-05010	BOLT, H.S,	1	5*10	
36		900600-00005	WASHER 5	1	5	
37		610025-22361	CONNECTOR, SHAFT	1		
38		900706-00012	CIRCLIP 12	2	WR-12	
39		94052-06001	BEARING BALL	2	PEER LLU,DDU 2RS	
41		900706-00012	CIRCLIP 12	2	WR-12	
57		P021-015340	GEAR, SHAFT KIT	1		
40	+	V651-000210	GEAR,BEVEL	1	MG 0600.2259	

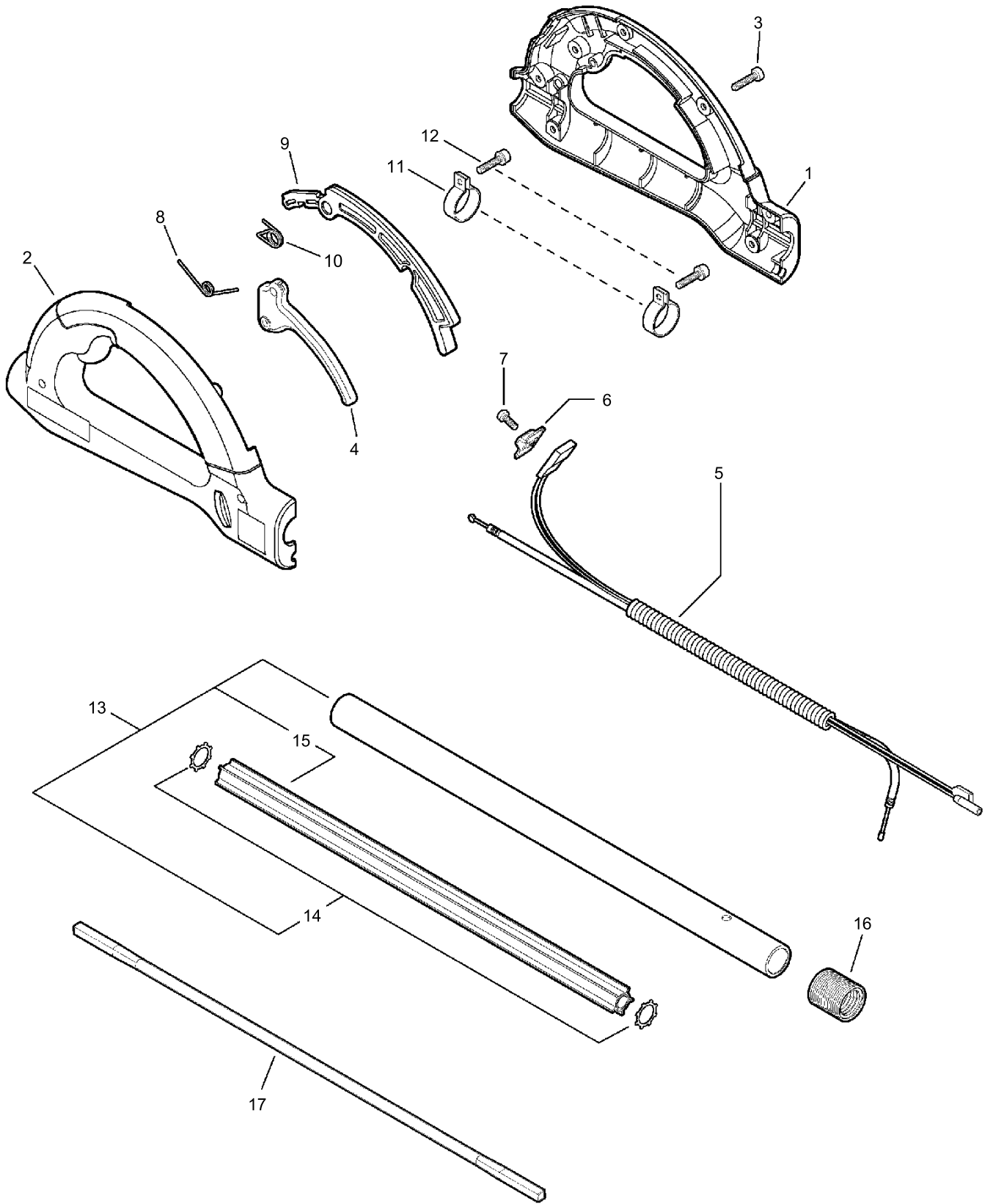
# Gear Case, Guide Bar & Chain



## Gear Case, Guide Bar &amp; Chain

KEY NO	LV(+)	Part No	Description	Qty	Standard	Comment
42	+	C534-000430	SHAFT, GEAR	1		
43	+	V651-000201	GEAR,BEVEL	1	MG 0600.2259	
44		C200-000080	TANK, OIL	1		
45		V253-000230	SCREW,5	1	M5*20 PAN MS	
46		V253-000240	SCREW,5	1	M5*25 PAN MS	
47		900603-00005	WASHER 5	2	5.5*12*0.8	
48		131045-28230	COLLAR	2		
49		V354-000010	COLLAR,6	1		
50		131314-06320	VALVE, CHECK	1		
51		P021-005591	CAP ASY	1		
52	+	900720-00018	O-RING 18	1	P-18	
53	+	A365-000050	CONNECTOR,CAP	1		
54		X222-000040	CHAIN,SAW	1	M91VX44CQ	
55		X122-000150	BAR,GUIDE 30	1	12A0CD3744	
56		X490-000050	SCABBARD,CHAIN	1	12` BAR	

# Handle

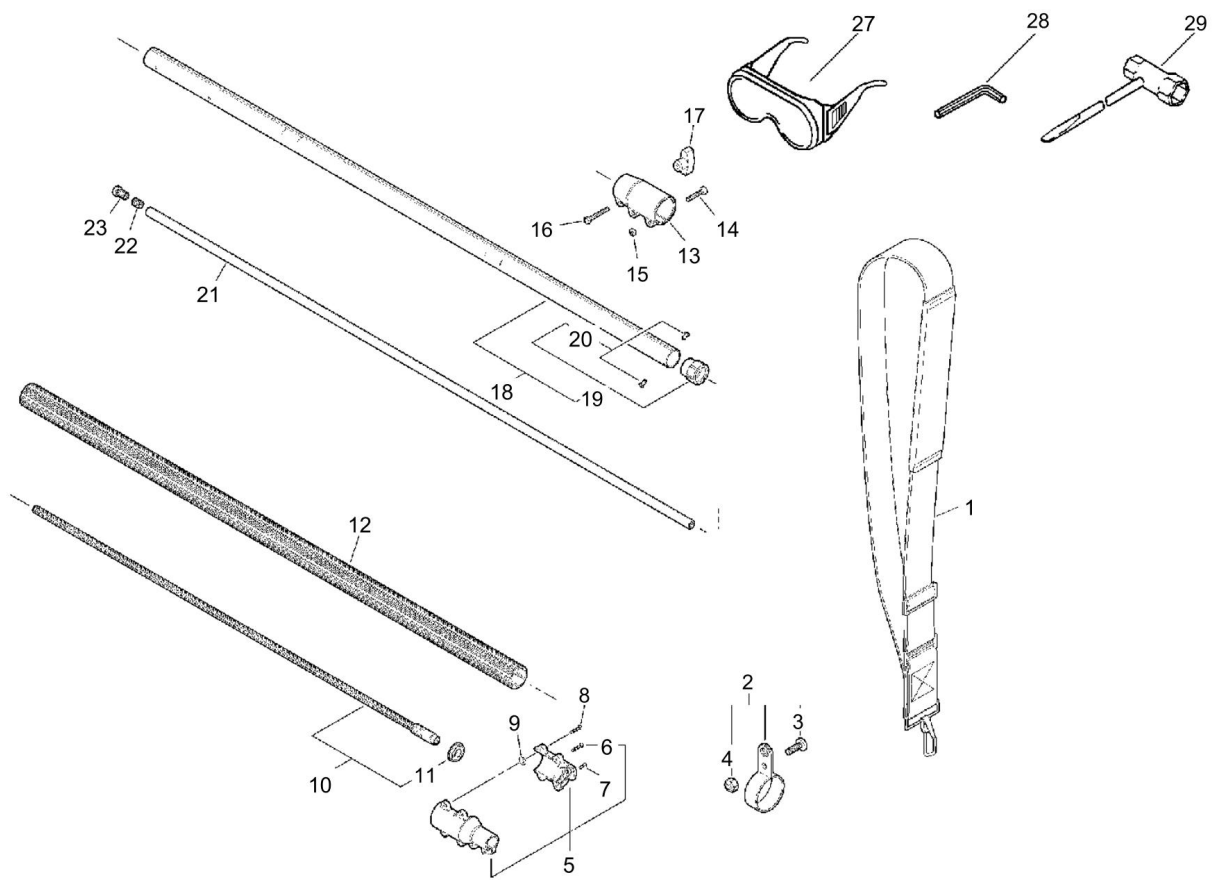


## Handle

KEY NO	LV(+)	Part No	Description	Qty	Standard	Comment
1		C041-000000	HANDLE,ASM REAR	1	OVERMOLD - RIGHT	
2		C041-000011	HANDLE,ASM REAR	1	OVERMOLD - LEFT	
3		V253-000210	SCREW,5	7	M5*18 PAN PT	
4		C450-000260	CONTROL, THROTTLE	1	PPT HANDLE	
5		V043-000160	CABLE ASY, CONTROL	1		
6		A444-000020	KNOB,SWITCH	1	ACT3020-14F	
7		91545-03010	SCREW TAPTITE-P	1		
8		V452-000330	SPRING,TORSION	1	30MM*8 DIA.*30MM	
9		C460-000100	LOCKOUT, THROTTLE	1	PPT HANDLE	
10		V452-000340	SPRING,TORSION	1	10.5MM I.D.	
11		V495-000680	BAND	2		
12		V253-000220	SCREW,5	1	M5*20 PAN SEM MS	
13		C050-000770	PIPE, MAIN	1	LOWER PIPE ASSY	
14	+	V583-000110	RING	2	.625ID * .875OD	
15	+	C507-000160	LINER, FLEXIBLE	1	L=410MM	
16		V475-004000	TUBE	1	25MM*32MM*35MM	
17		C506-000100	SHAFT, FLEXIBLE	1	.264/.260 * 19.8	



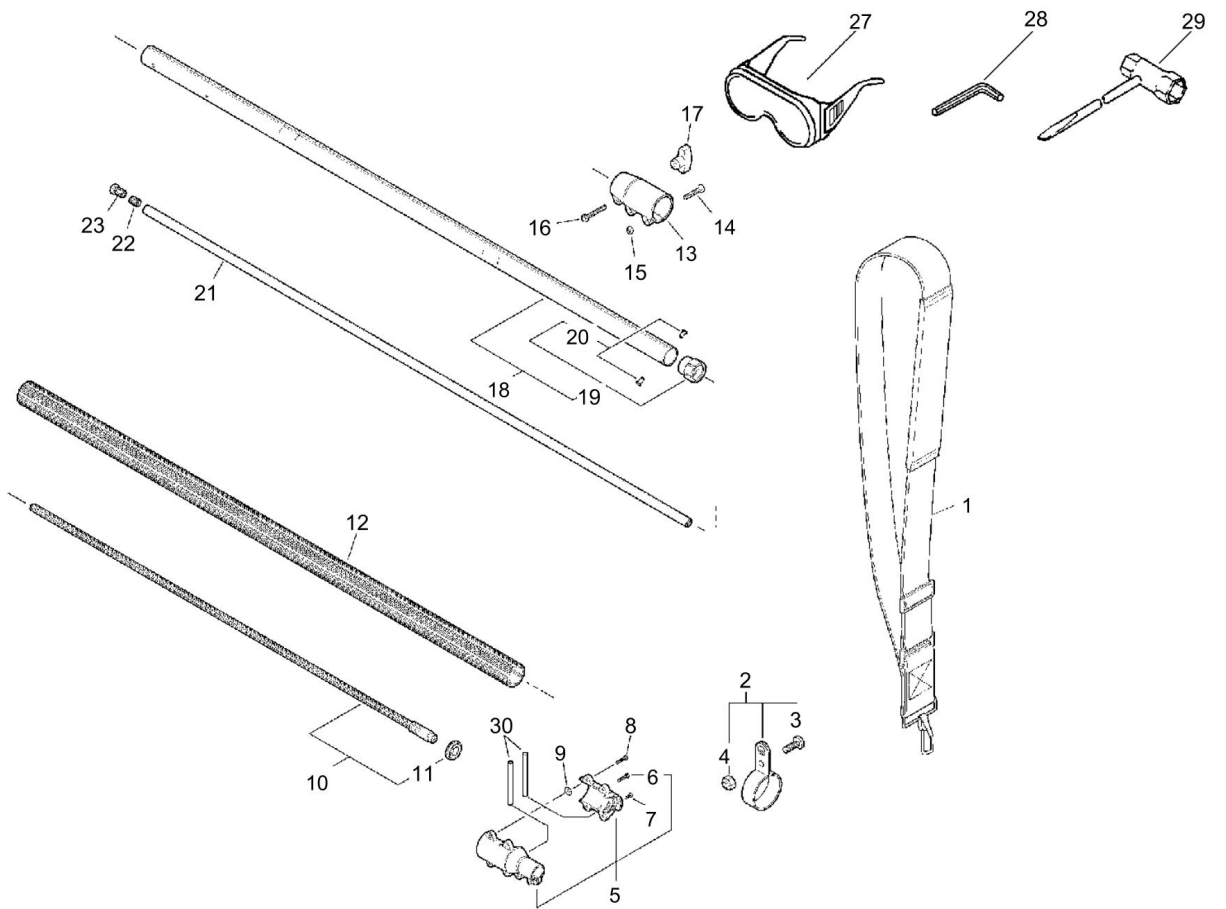
Main Pipe(Sr/Nr 37002753 and before)



## Main Pipe(Sr/Nr 37002753 and before)

KEY NO	LV(+)	Part No	Description	Qty	Standard	Comment
1		301000-22060	HARNESS ASY, SHOULDER	1		
2		300610-22060	BRACKET, HARNESS	1		
3	+	V253-000200	SCREW,5	1	M5*10 PAN MS	
4	+	V263-000080	NUT,5	1	M5*0.8 LOCK NUT	
5		C510-000161	COUPLING, MAIN PIPE	1		S . C510-000162, S /N 37002753
6	+	V253-000230	SCREW,5	2	M5*20 PAN MS	
7	+	900105-05014	BOLT, H.S. 5*14	1	5*14	
8		V253-000230	SCREW,5	4	M5*20 PAN MS	
9		V303-000071	WASHER,CIRCULAR 5	2	5.4MM*15MM*1MM	
10		C504-000370	SHAFT, DRIVE	1		
11	+	94057-36002	BEARING, BALL	1	PEER LLU,DDU	
12		C500-000270	PIPE, MAIN	1	39MM ID * 1416.1	
13		C510-000170	COUPLING, MAIN PIPE	1	UPPER COUPLING	
14		V253-000230	SCREW,5	2	M5*20 PAN MS	
15		900500-00005	NUT 5	2	5	
16		900100-06025	BOLT 6*25	1	6*25	
17		V299-000321	KNOB,FASTENER	1	M6X1.0 THREAD	
18		C050-000760	PIPE, MAIN	1		
19	+	C503-000080	HOLDER, BEARING	1	HOLDER ASSEMBLY	
20	+	890011-22360	RIVET	2		
21		C504-000360	SHAFT, DRIVE	1	OUTER DRIVESHAFT	
22		C509-000090	SOCKET,SHAFT	1	DRIVE SIDE	
23		C509-000080	SOCKET, SHAFT	1	12.2*16.5*25.4	
27		X690-000030	GOGGLE	1		S . P021-002861
27		P021-002861	GOGGLES	1		S . X690-000050
27		X690-000050	GOGGLE	1	GOGGLE + NOTE	
28		895610-00130	L-WRENCH (4MM)	1		
29		895410-39131	WRENCH, W/S-DRIVER	1		

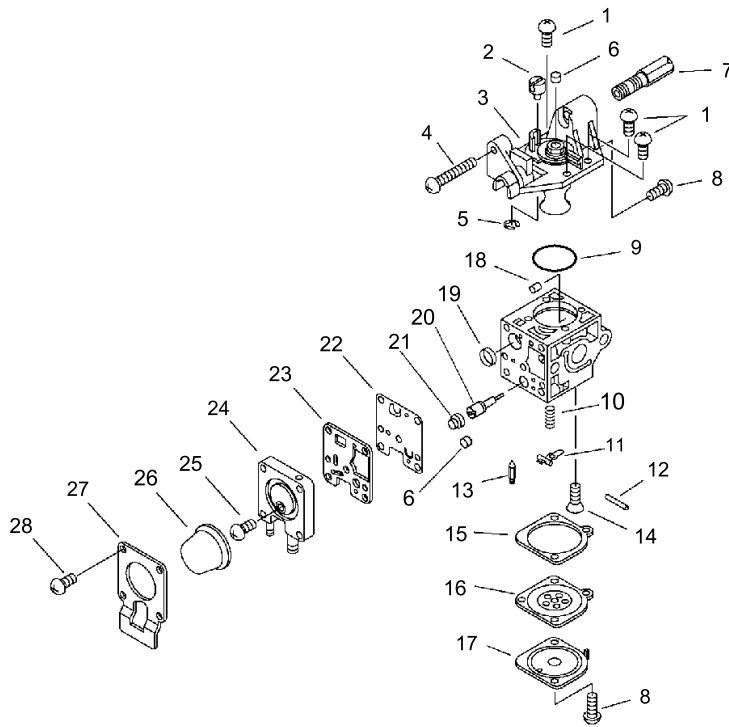
Main Pipe(Sr/Nr 37002754 and after)



## Main Pipe(Sr/Nr 37002754 and after)

KEY NO	LV(+)	Part No	Description	Qty	Standard	Comment
1		301000-22060	HARNESS ASY, SHOULDER	1		
2		300610-22060	BRACKET, HARNESS	1		
2		300610-22061	BRACKET, HARNESS	1	24.69/24.84 I.D.	
3	+	V253-000200	SCREW,5	1	M5*10 PAN MS	
4	+	V263-000080	NUT,5	1	M5*0.8 LOCK NUT	
5		C510-000162	COUPLING, MAIN PIPE	1	MACHINED 2- PARTS	S /N 37002754
6	+	V253-000230	SCREW,5	2	M5*20 PAN MS	
7	+	900105-05014	BOLT, H.S. 5*14	1	5*14	
8		V253-000230	SCREW,5	4	M5*20 PAN MS	
9		V303-000071	WASHER,CIRCULAR 5	2	5.4MM*15MM*1MM	
10		C504-000370	SHAFT, DRIVE	1		
11	+	94057-36002	BEARING, BALL	1	PEER LLU,DDU	
12		C500-000270	PIPE, MAIN	1	39MM ID * 1416.1	
13		C510-000170	COUPLING, MAIN PIPE	1	UPPER COUPLING	
14		V253-000230	SCREW,5	2	M5*20 PAN MS	
15		900500-00005	NUT 5	2	5	
16		900100-06025	BOLT 6*25	1	6*25	
17		V299-000321	KNOB,FASTENER	1	M6X1.0 THREAD	
18		C050-000760	PIPE, MAIN	1		
19	+	C503-000080	HOLDER, BEARING	1	HOLDER ASSEMBLY	
20	+	890011-22360	RIVET	2		
21		C504-000360	SHAFT, DRIVE	1	OUTER DRIVESHAFT	
22		C509-000090	SOCKET,SHAFT	1	DRIVE SIDE	
23		C509-000080	SOCKET, SHAFT	1	12.2*16.5*25.4	
27		X690-000050	GOGGLE	1	GOGGLE + NOTE	
28		895610-00130	L-WRENCH (4MM)	1		
29		895410-39131	WRENCH, W/S-DRIVER	1		
30		V420-001810	CUSHION	2	OD 3.53MM*42 LNG	S /N 37002754

# Carburettor



## Carburettor

KEY NO	LV(+)	Part No	Description	Qty	Standard	Comment
		A021-001530	CARBURETOR, DIAPHRAGM	1	RB-K	
1	+	125344-13931	SCREW	3		
2	+	P005-001240	POST	1		
3	+	P005-001980	COVER ASY, ROTOR	1		
4	+	P005-000100	SCREW, THROTTLEADJUST	1		
5	+	P005-000190	E-RING	1		
6	+	P005-001270	PLUG, H AJUST SCREW	2		
7	+	P005-002010	SCREW, WIRW ADJUST	1		
8	+	125344-52130	SCREW	3		
9	+	P005-000280	O-RING	1		
10	+	125322-07260	SPRING, COIL	1		
11	+	125323-08260	ARM, VALVE	1		
12	+	125338-13930	PIN, METERING ARM	1		
13	+	125337-08260	VALVE, INLET NEEDLE	1		
14	+	125339-42030	SCREW	1		
15	+	P005-000200	GASKET, METERING	1		
16	+	P005-001780	DIAPHRAGM	1		
17	+	125342-52130	COVER, DIAPHRAGM	1		
18	+	P005-001000	ROLLER, GUIDE	1		
19	+	P005-000010	STRAINER	1		
20	+	P005-001290	SCREW,MAINN MIXTURE	1		
21	+	P005-001250	RETAINER,PLUG BALL	1		
22	+	P005-000510	DIAPHRAGM, PUMP	1		
23	+	P005-000520	GASKET, PUMP	1		
24	+	P005-001890	BASE, ASY PRIMER	1		
25	+	P005-000270	SCREW	1		
26	+	125381-08660	PUMP, PRIMING	1		
27	+	P005-000250	RETAINER	1		
28	+	P005-001900	SCREW	4		

# Repair Kit

## Repair Kit

KEY NO	LV(+)	Part No	Description	Qty	Standard	Comment
		P005-001660	DIAPHRAGM/GASKET KIT	1		
8-15	+	P005-000200	GASKET, METERING	1		
8-16	+	P005-001780	DIAPHRAGM	1		
8-22	+	P005-000510	DIAPHRAGM, PUMP	1		
8-23	+	P005-000520	GASKET, PUMP	1		
		P005-001990	REBUILD KIT	1		
8-10	+	125322-07260	SPRING, COIL	1		
8-11	+	125323-08260	ARM, VALVE	1		
8-12	+	125338-13930	PIN, METERING ARM	1		
8-13	+	125337-08260	VALVE, INLET NEEDLE	1		
8-15	+	P005-000200	GASKET, METERING	1		
8-16	+	P005-001780	DIAPHRAGM	1		
8-18	+	P005-001000	ROLLER, GUIDE	1		
8-19	+	P005-000010	STRAINER	1		
8-22	+	P005-000510	DIAPHRAGM, PUMP	1		
8-23	+	P005-000520	GASKET, PUMP	1		



# NUMERICAL PARTS INDEX

Part No	Part description	Page	Part No	Part description	Page	Part No	Part description	Page
100012-16131	BEARING, NEEDLE	2	177220-42030	SPRING, REWIND	4	900600-00005	WASHER 5	10
100013-35430	PIN, PISTON	2	177227-42030	GUIDE, ROPE	4	900603-00004	WASHER 4	4
100014-53630	SPACER, PISTON PIN	2	177228-27030	GRIP, STARTER	4	900603-00005	WASHER 5	4
100015-00120	CIRCLIP, PISTON PIN	6	177236-61830	SCREW	4	900603-00005	WASHER 5	12
100015-03931	CIRCLIP, PISTON PIN	2	177246-11120	CLIP, STARTER ROPE	4	900701-00012	CIRCLIP 12	2
100142-12330	KEY, WOODRUFF	2	300610-22060	BRACKET, HARNESS	16	900702-00028	CIRCLIP 28	2
100212-42031	OILSEAL	2	300610-22060	BRACKET, HARNESS	18	900706-00012	CIRCLIP 12	10
100215-03930	PIN, DOWEL	2	300610-22061	BRACKET, HARNESS	18	900720-00018	O-RING 18	12
100242-42030	GASKET, CRANKCASE	2	301000-22060	HARNESS ASY, SHOULDER	16	900807-06001	BEARING, BALL 6001	2
125322-07260	SPRING, COIL	20	301000-22060	HARNESS ASY, SHOULDER	18	91118-05025	BOLT	4
125322-07260	SPRING, COIL	22	433019-03933	NUT, FLANGE 6	10	91121-05016	BOLT, FLANGE	6
125323-08260	ARM, VALVE	20	436205-02832	STRAINER, OIL	10	91140-05012	BOLT	2
125323-08260	ARM, VALVE	22	437029-37330	WASHER	10	91367-04010	SCREW	6
125327-15130	CLIP	10	437063-38330	GEAR, WORM	10	91545-03010	SCREW TAPTITE-P	14
125337-08260	VALVE, INLET NEEDLE	20	437244-39130	PAD, FORM	10	92280-05000	WASHER, NORD-LOCK	6
125337-08260	VALVE, INLET NEEDLE	22	610025-22361	CONNECTOR, SHAFT	10	94035-36201	BEARING BALL	2
125338-13930	PIN, METERING ARM	20	890011-22360	RIVET	16	94052-06001	BEARING BALL	10
125338-13930	PIN, METERING ARM	22	890011-22360	RIVET	18	94057-36002	BEARING, BALL	16
125339-42030	SCREW	20	890332-52730	LABEL, CHOKE	6	94057-36002	BEARING, BALL	18
125342-52130	COVER, DIAPHRAGM	20	895410-39131	WRENCH, W/S-DRIVER	16	A011-000434	CRANKSHAFT,ASY	2
125344-13931	SCREW	20	895410-39131	WRENCH, W/S-DRIVER	18	A021-001530	CARBURETOR, DIAPHRAGM	6
125344-52130	SCREW	20	895610-00130	L-WRENCH (4MM)	16	A021-001530	CARBURETOR, DIAPHRAGM	20
125381-08660	PUMP, PRIMING	20	895610-00130	L-WRENCH (4MM)	18	A051-000940	STARTER,RECOIL ASY	4
129011-52730	PLATE, PREVENT	6	900100-06025	BOLT 6*25	16	A052-000180	PULLEY,ASM STARTER	4
130110-12330	PIPE, IMPULSE	10	900100-06025	BOLT 6*25	18	A101-000170	RING, PISTON	2
130310-54130	FILTER, AIR	6	900105-05012	BOLT, H.S. 5*12	2	A127-000160	COVER,DUST	2
131016-55830	GASKET, FUEL CAP	8	900105-05014	BOLT, H.S. 5*14	16	A130-000761	CYLINDER	2
131045-28230	COLLAR	12	900105-05014	BOLT, H.S. 5*14	18	A160-000691	COVER,CYLINDER	2
131205-19830	STRAINER, FUEL	8	900106-05008	BOLT, H.S. 5* 8	2	A160-000780	COVER,CYLINDER	2
131314-06320	VALVE, CHECK	12	900106-05014	BOLT, H.S. 5*14	2	A162-000080	GUARD, TOP	2
132001-15030	VALVE, CHECK	8	900109-05010	BOLT, H.S.	10	A162-000100	GUARD, TOP	2
132010-40830	PIPE 3* 6* 75	8	900162-05016	BOLT, H.S. 5*16	2	A175-000030	STAND	4
132013-09820	CLIP	8	900162-05025	BOLT, H.S. 5*25	2	A200-000200	INSULATOR,INTAKE	6
132013-26630	CLIP	8	900162-05025	BOLT, H.S. 5*25	6	A232-000330	LID,CLEANER	6
132115-01461	GROMMET	10	900162-05028	BOLT, H.S. 5*28	2	A313-000830	GUIDE, EXHAUST	6
132115-55930	GROMMET, FUEL	8	900163-04016	BOLT HSH	2	A320-000340	COVER,MUFFLER	6
145862-40630	SCREEN, MUFFLER	6	900163-04016	BOLT HSH	4	A350-000440	TANK, FUEL	8
156110-04920	BUSHING	4	900242-05065	SCREW 5*65	6	A356-000030	VALVE,CHECK	8
156635-43130	LEAD, GROUND	2	900256-05016	SCREW, TAPPING	2	A365-000050	CONNECTOR,CAP	12
159116-21231	CLAMP	2	900500-00005	NUT 5	6	A365-000060	CONNECTOR,CAP	8
162010-04561	LEAD, GROUND	4	900500-00005	NUT 5	16	A409-000310	ROTOR, MAGNETO	4
175014-39131	WASHER, CLUTCH	10	900500-00005	NUT 5	18	A411-000250	COIL, IGNITION	4
175046-56030	SHAFT, CLUTCH	4	900515-00008	NUT, FLANGE 8	4	A425-000000	SPARKPLUG	4
175048-05530	WASHER (I)	4	900565-00005	NUT	4	A426-000010	TERMINAL,SPARKPLUG	4
175049-56030	WASHER	4						

# NUMERICAL PARTS INDEX

Part No	Part description	Page	Part No	Part description	Page	Part No	Part description	Page
A427-000013	CAP,SPARK PLUG	4	P005-000100	SCREW, THROTTLEADJUST	20	P022-010660	SPRING	10
A444-000020	KNOB,SWITCH	14	P005-000190	E-RING	20	P022-010670	SPRING	10
A553-000010	ARM,CLUTCH	4	P005-000200	GASKET, METERING	20	P022-010680	SCREW ASS'Y, ADJUST	10
A556-000280	DRUM,CLUTCH	2	P005-000200	GASKET, METERING	22	V043-000160	CABLE ASY, CONTROL	14
A575-000122	FIXTURE,MAIN PIPE	2	P005-000250	RETAINER	20	V100-000210	GASKET,CYL	2
A575-000132	FIXTURE,MAIN PIPE	2	P005-000270	SCREW	20	V103-000210	GASKET,INTAKE	6
C022-000010	OILER,ASM AUTO	10	P005-000280	O-RING	20	V103-000270	GASKET,INTAKE	6
C041-000000	HANDLE,ASM REAR	14	P005-000510	DIAPHRAGM, PUMP	20	V104-000780	GASKET,EXHAUST	6
C041-000011	HANDLE,ASM REAR	14	P005-000510	DIAPHRAGM, PUMP	22	V104-000790	GASKET,EXHAUST	6
C050-000760	PIPE, MAIN	16	P005-000520	GASKET, PUMP	20	V135-000030	GROMMET,HT CORD	4
C050-000760	PIPE, MAIN	18	P005-000520	GASKET, PUMP	22	V150-001760	PLATE,EYE	6
C050-000770	PIPE, MAIN	14	P005-001000	ROLLER, GUIDE	20	V202-000130	BOLT,4	4
C200-000080	TANK, OIL	12	P005-001000	ROLLER, GUIDE	22	V203-000041	BOLT,5	10
C300-000360	GUARD, SPROCKET	10	P005-001240	POST	20	V203-000120	BOLT,5	6
C300-000361	GUARD, SPROCKET	10	P005-001250	RETAINER,PLUG BALL	20	V224-000040	BOLT,STUD 6	10
C309-000030	TENSIONER,CHAIN	10	P005-001270	PLUG, H AJUST SCREW	20	V252-000040	SCREW,4	10
C450-000260	CONTROL, THROTTLE	14	P005-001290	SCREW,MAINN MIXTURE	20	V253-000180	SCREW,5	10
C460-000100	LOCKOUT, THROTTLE	14	P005-001660	DIAPHRAGM/GASKET KIT	22	V253-000200	SCREW,5	10
C486-000000	CABLE, ADJUSTER	6	P005-001780	DIAPHRAGM	20	V253-000200	SCREW,5	16
C500-000270	PIPE, MAIN	16	P005-001780	DIAPHRAGM	22	V253-000210	SCREW,5	18
C500-000270	PIPE, MAIN	18	P005-001890	BASE, ASY PRIMER	20	V253-000220	SCREW,5	14
C503-000080	HOLDER, BEARING	16	P005-001900	SCREW	20	V253-000230	SCREW,5	14
C503-000080	HOLDER, BEARING	18	P005-001980	COVER ASY, ROTOR	20	V253-000230	SCREW,5	12
C504-000360	SHAFT, DRIVE	16	P005-001990	REBUILD KIT	22	V253-000230	SCREW,5	16
C504-000360	SHAFT, DRIVE	18	P005-002010	SCREW, WIRW ADJUST	20	V253-000230	SCREW,5	18
C504-000370	SHAFT, DRIVE	16	P021-001240	CAP,FUEL ASSY	8	V253-000240	SCREW,5	10
C504-000370	SHAFT, DRIVE	18	P021-002861	GOGGLES	16	V253-000240	SCREW,5	12
C506-000100	SHAFT, FLEXIBLE	14	P021-004480	CASE, AIR CLEANER	6	V263-000080	NUT,5	16
C507-000160	LINER, FLEXIBLE	14	P021-005591	CAP ASY	12	V263-000080	NUT,5	18
C509-000080	SOCKET, SHAFT	16	P021-009380	FIXTURE,MAIN PIPE	2	V299-000250	KNOB,FASTENER	6
C509-000080	SOCKET, SHAFT	18	P021-009771	PISTON KIT	2	V299-000321	KNOB,FASTENER	16
C509-000090	SOCKET,SHAFT	16	P021-010801	CRANKCASE KIT	2	V299-000321	KNOB,FASTENER	18
C509-000090	SOCKET,SHAFT	18	P021-011580	MUFFLER ASY	6	V303-000071	WASHER,CIRCULAR 5	16
C510-000161	COUPLING, MAIN PIPE	16	P021-013760	COVER ASY, FAN	2	V303-000071	WASHER,CIRCULAR 5	18
C510-000162	COUPLING, MAIN PIPE	18	P021-015340	GEAR, SHAFT KIT	10	V307-000160	WASHER,CIRCULAR 10	10
C510-000170	COUPLING, MAIN PIPE	16	P022-002100	E-RING	4	V322-000031	WASHER,CIRCULAR 4	4
C510-000170	COUPLING, MAIN PIPE	18	P022-006510	SPRING, RETURN	4	V354-000010	COLLAR,6	12
C531-000030	CASE,GEAR	10	P022-006830	DRUM	4	V355-000140	COLLAR,8	10
C531-000430	CASE,GEAR	10	P022-006850	PAWL, STARTER	4	V420-001081	CUSHION	2
C534-000430	SHAFT, GEAR	12	P022-008260	ROPE	4	V420-001810	CUSHION	18
C580-000070	SPROCKET,DRIVE	10	P022-008270	SPRING,DAMPER	4	V451-000400	SPRING,TENSION	4
C649-000140	HOOK	10	P022-008280	PLATE, CAM(TI12-511)	4	V452-000330	SPRING,TORSION	14
P005-000010	STRAINER	20	P022-010640	CAP, OIL PUMP	10	V452-000340	SPRING,TORSION	14
P005-000010	STRAINER	22	P022-010650	PLUNGER	10	V470-000180	PIPE	10
						V470-000580	PIPE	8

# NUMERICAL PARTS INDEX

Part No	Part description	Page
V471-001180	PIPE	8
V475-003380	TUBE	4
V475-004000	TUBE	14
V491-000180	CLIP	2
V495-000680	BAND	14
V505-000050	SEAL,OIL 12	2
V583-000090	RING	10
V583-000110	RING	14
V651-000201	GEAR,BEVEL	12
V651-000210	GEAR,BEVEL	10
V651-000310	GEAR,BEVEL	10
V651-000320	GEAR,BEVEL	10
X122-000150	BAR,GUIDE 30	12
X222-000040	CHAIN,SAW	12
X490-000050	SCABBARD,CHAIN	12
X502-000330	LABEL,ECHO	4
X505-002310	LABEL,CAUTION	2
X547-000700	LABEL,ECHO	2
X690-000030	GOGGLE	16
X690-000050	GOGGLE	16
X690-000050	GOGGLE	18