

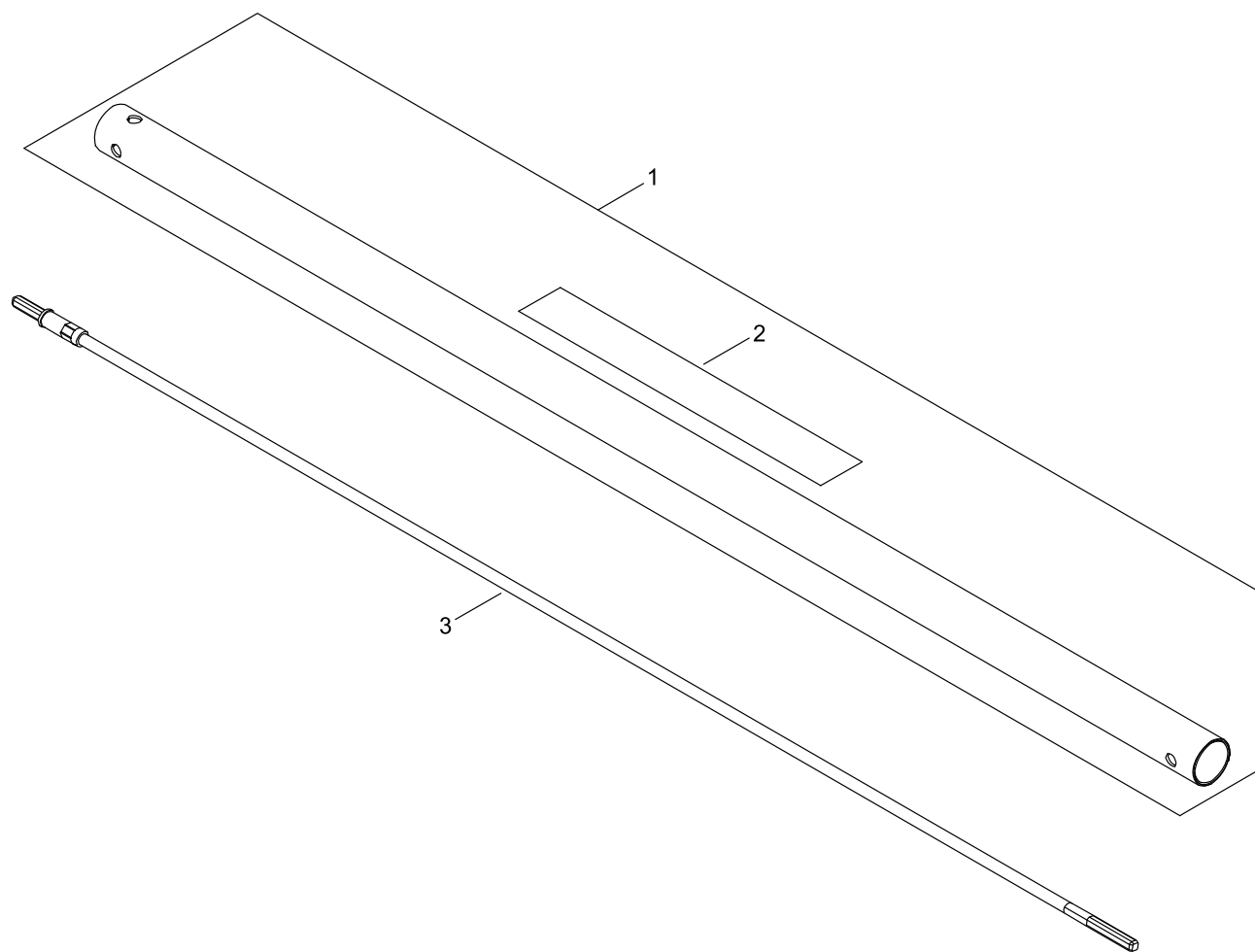
MTA-PS

Published:04/17/2018

TABLE OF CONTENTS

MAIN PIPE	1
GEAR CASE	3
BRUSH.....	5
ACCESSORIES	7

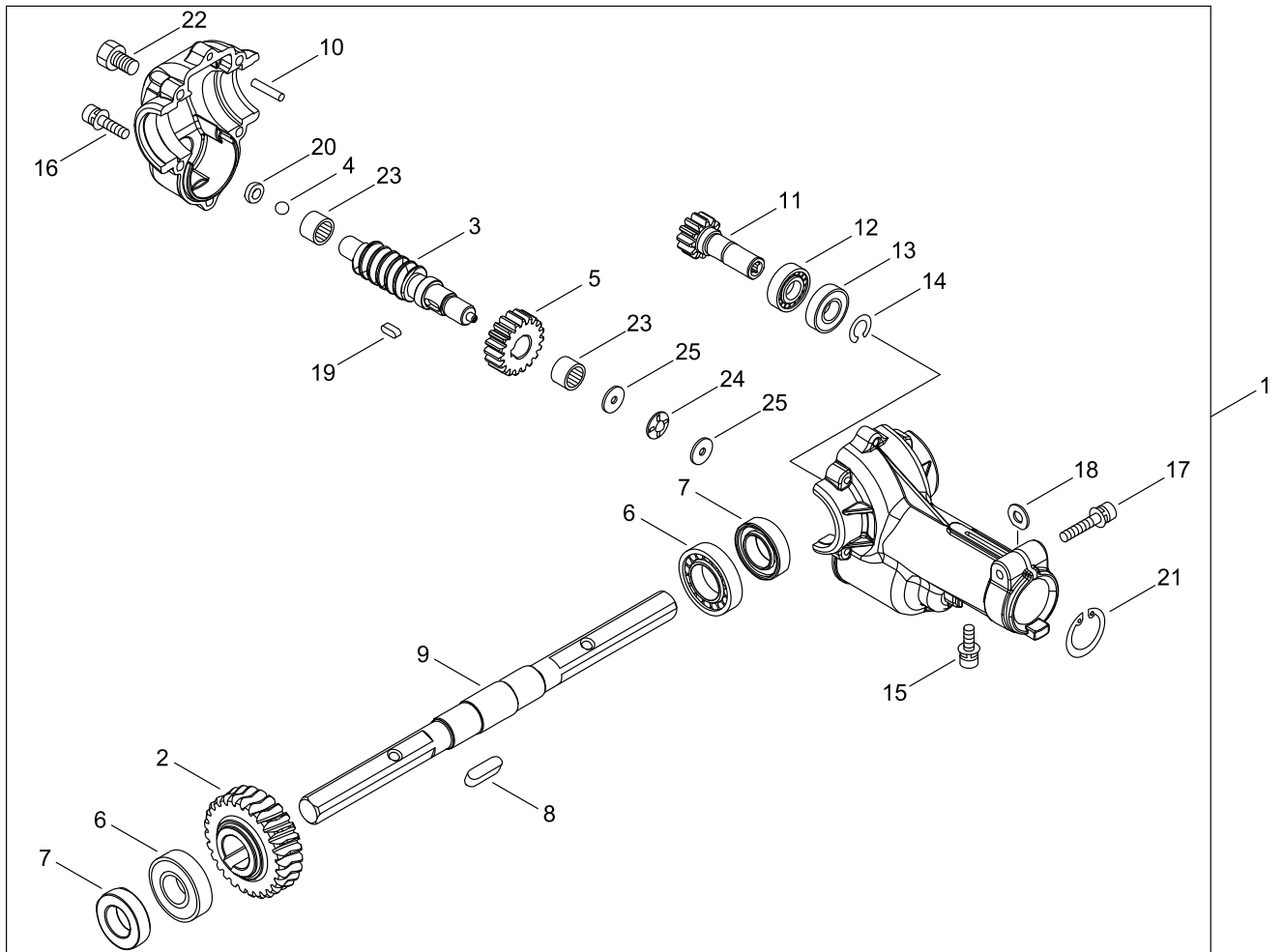
MAIN PIPE



MAIN PIPE

KEY NO	LV(+)	Part No	Description	Qty	Standard	Comment
1		P100-005920	MAIN PIPE ASY	1		
2	+	890160-25560	LABEL, CAUTION	1		
3		C506-000480	SHAFT, FLEXIBLE	1	L:29.61" / 752MM	

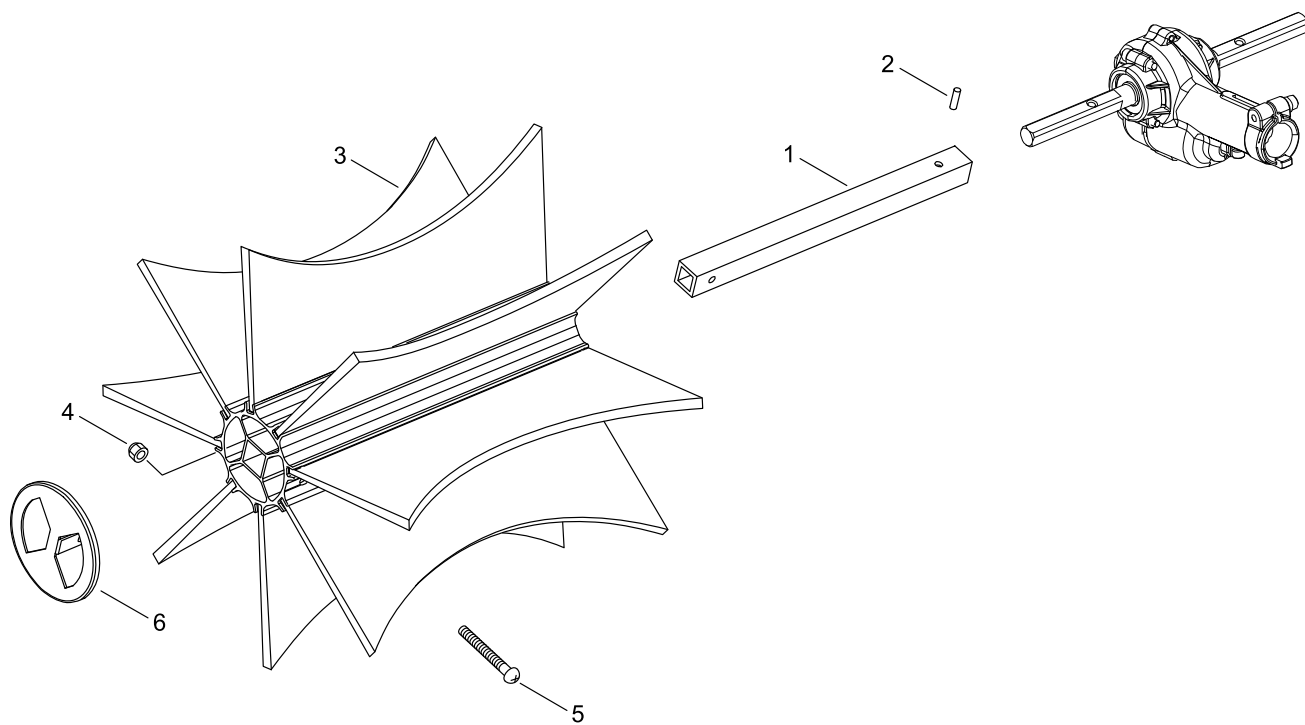
GEAR CASE



GEAR CASE

KEY NO	LV(+)	Part No	Description	Qty	Standard	Comment
1		C051-000301	CASE,GEAR	1	SWEEP/ THATCH	
2	+	V653-000000	GEAR,WORM WHEEL	1	RIGHT HAND	
3	+	V652-000060	GEAR,WORM	1	RIGHT HANDED	
4	+	V585-000030	BALL	1	1/4	
5	+	V650-000380	GEAR,SPUR	1	19 TOOTH	
6	+	94003-06003	BEARING, BALL	2	BB6003Z	
7	+	605416-11050	OILSEAL	2		
8	+	V381-000000	KEY,WOODRUFF	1	6 X 6 X 22	
9	+	C534-000490	SHAFT, GEAR	1	250MM LNG	
10	+	V622-000030	PIN,STRAIGHT 4	1	4*20MM	
11	+	V650-000370	GEAR,SPUR	1	12 TOOTH	
12	+	900855-06901	BEARING, BALL 6901	1	6901	
13	+	900857-06901	BEARING, BALL 6901	1	6901LLU	
14	+	900706-00012	CIRCLIP 12	1	WR-12	
15	+	900162-05012	BOLT, H.S. 5*12	1	5*12 W,SW	
16	+	900162-05020	BOLT, H.S. 5*20	5	5*20 W,SW	
17	+	900162-06030	BOLT, H.S. 6*30	1	6*30W, SW	
18	+	V340-000220	WASHER	1	6.5*6.75*1.2T	
19	+	V381-000010	KEY,WOODRUFF	1	4 X 4 X 10	
20	+	V376-001040	SPACER	1	10.60 OD	
21	+	610335-21460	CIRCLIP	1		
22	+	900100-08010	BOLT 8*10	1	8*10	
23	+	V555-000060	BEARING,NEEDLE 10	2	10X14X10	
24	+	V590-000010	BEARING,THRUST	1	AXK0414-TV	
25	+	V340-000230	WASHER	2	REF. AXK0414- TV	

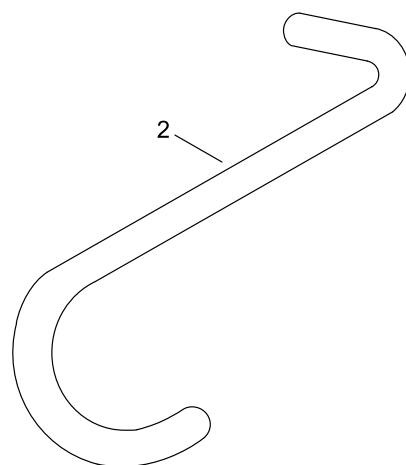
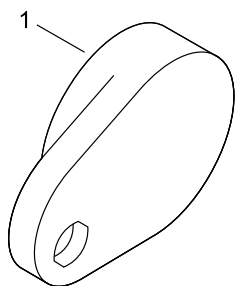
BRUSH



BRUSH

KEY NO	LV(+)	Part No	Description	Qty	Standard	Comment
1		C517-000070	COUPLING, SHAFT	2		
2		404523-25560	PIN,STRAIGHT	2		
3		250202-25662	BRUSH	2		
4		900560-00005	NUT, LOCK 5	2	5	
5		900220-05030	SCREW 5*30	2	5*30	
6		250230-25561	CAP,HOLDER	2		

ACCESSORIES



ACCESSORIES

KEY NO	LV(+)	Part No	Description	Qty	Standard	Comment
1		C525-000012	CAP,MAIN PIPE	1	25MM PIPE	
2		C649-000121	HOOK	1	8 DEGREE BEND	

NUMERICAL PARTS INDEX

Part No	Part description	Page	Part No	Part description	Page
250202-2-5662	BRUSH	6	V340-00-0230	WASHER	4
250230-2-5561	CAP,HOLDER	6	V376-00-1040	SPACER	4
404523-2-5560	PIN,STRAIGHT	6	V381-00-0000	KEY,WOODRUFF	4
605416-1-1050	OILSEAL	4	V381-00-0010	KEY,WOODRUFF	4
610335-2-1460	CIRCLIP	4	V555-00-0060	BEARING,NEEDLE 10	4
890160-2-5560	LABEL, CAUTION	2	V585-00-0030	BALL	4
900100-0-8010	BOLT 8*10	4	V590-00-0010	BEARING,THRUST	4
900162-0-5012	BOLT, H.S. 5*12	4	V622-00-0030	PIN,STRAIGHT 4	4
900162-0-5020	BOLT, H.S. 5*20	4	V650-00-0370	GEAR,SPUR	4
900162-0-6030	BOLT, H.S. 6*30	4	V650-00-0380	GEAR,SPUR	4
900220-0-5030	SCREW 5*30	6	V652-00-0060	GEAR,WORM	4
900560-0-0005	NUT, LOCK 5	6	V653-00-0000	GEAR,WORM WHEEL	4
900706-0-0012	CIRCLIP 12	4			
900855-0-6901	BEARING, BALL 6901	4			
900857-0-6901	BEARING, BALL 6901	4			
94003-06-003	BEARING, BALL	4			
C051-00-0301	CASE,GEAR	4			
C506-00-0480	SHAFT, FLEXIBLE	2			
C517-00-0070	COUPLING, SHAFT	6			
C525-00-0012	CAP,MAIN PIPE	8			
C534-00-0490	SHAFT, GEAR	4			
C649-00-0121	HOOK	8			
P100-00-5920	MAIN PIPE ASY	2			
V340-00-0220	WASHER	4			