

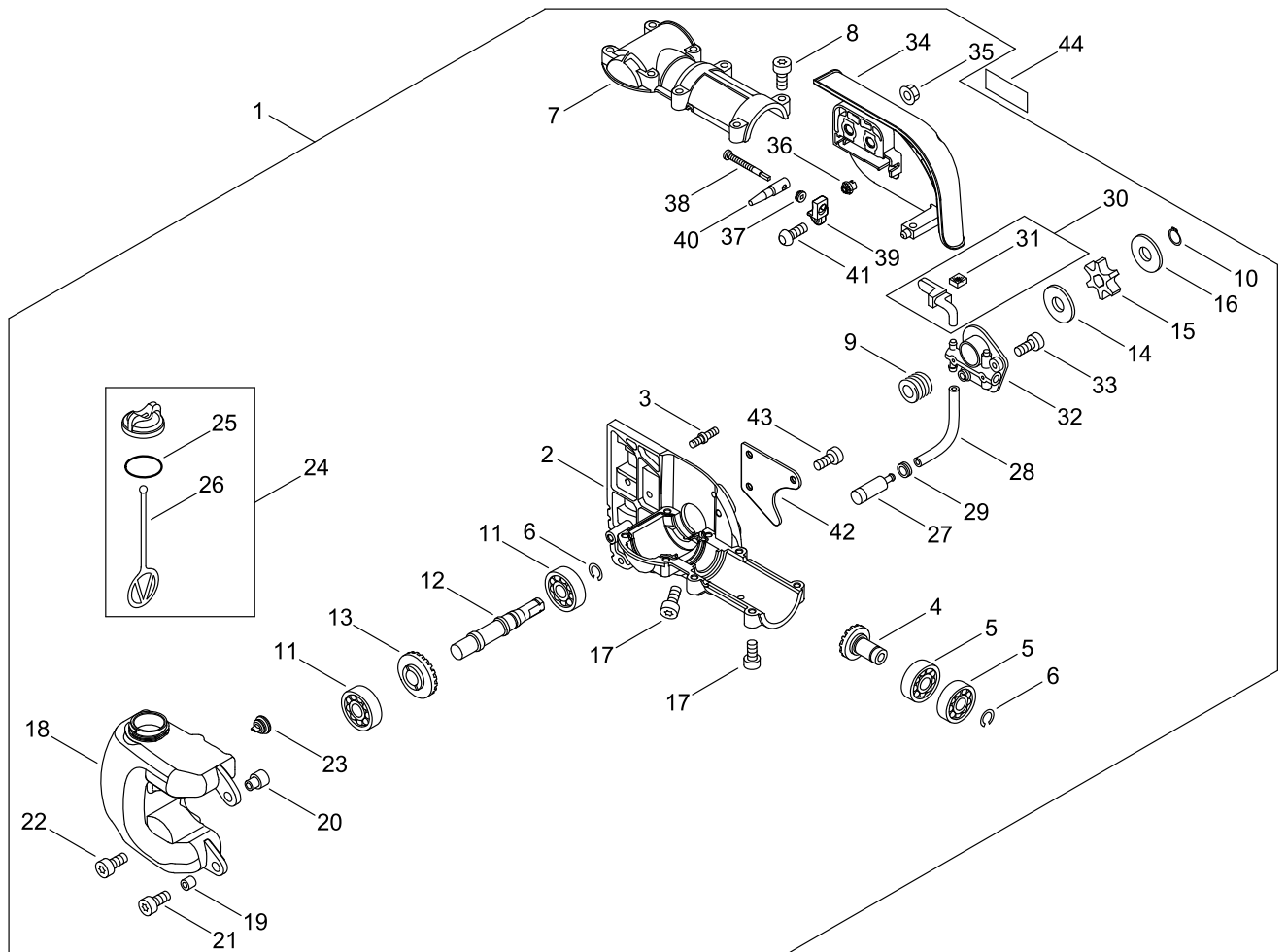
MTA-PP/E

Published:03/20/2018

TABLE OF CONTENTS

GEAR CASE.....	1
MAIN PIPE.....	5
ACCESSORIES.....	7
OILER.....	9

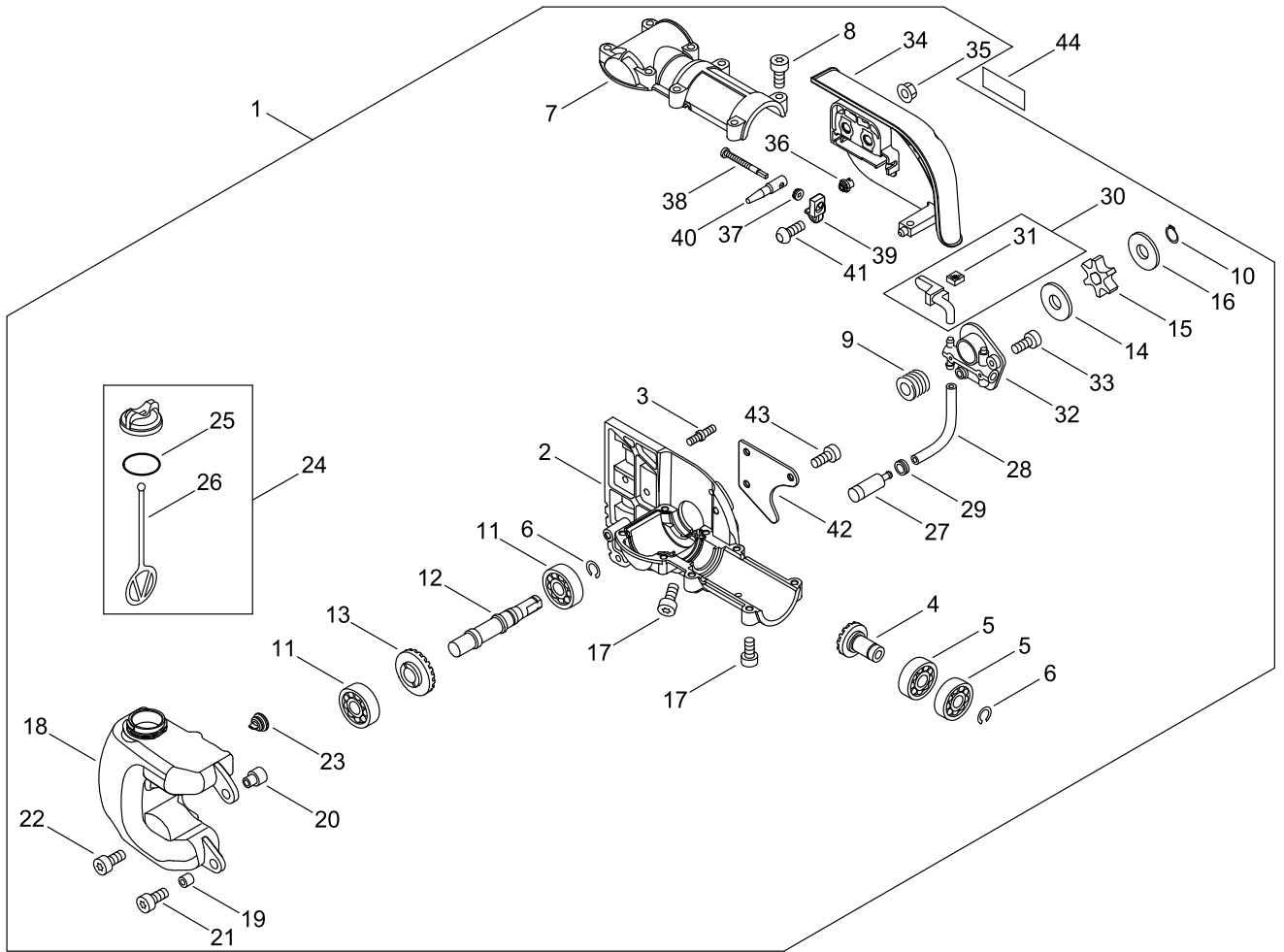
GEAR CASE



GEAR CASE

KEY NO	LV(+)	Part No	Description	Qty	Standard	Comment
1		P100-005830	CASE ASY, GEAR	1		
2	+	C531-000460	CASE,GEAR	1		
3	+	V224-000040	BOLT,STUD 6	2	15MM*19MM M6	
4	+	V651-000230	GEAR,BEVEL	1	MG 80.2310.001	
5	+	94052-06001	BEARING BALL	2	PEER LLU,DDU 2RS	
6	+	900706-00012	CIRCLIP 12	2	WR-12	
7	+	C531-000010	CASE,GEAR	1	25.5	
8	+	V805-000170	BOLT, TORX 5	8	TB-5*25 10.9	
9	+	437063-38330	GEAR, WORM	1		
10	+	V583-000090	RING	1	EXTERNAL RING	
11	+	94052-06001	BEARING BALL	2	PEER LLU,DDU 2RS	
12	+	C534-000430	SHAFT, GEAR	1		
13	+	V651-000201	GEAR,BEVEL	1	MG 0600.2259	
14	+	175014-39131	WASHER, CLUTCH	1	10.2*24.5*1.2	
15	+	C580-000070	SPROCKET,DRIVE	1		
16	+	V307-000160	WASHER,CIRCULAR 10	1	10.2*29.5*T=1.2	
17	+	V805-000130	BOLT, TORX 5	2	TB-5*10 10.9	
18	+	C200-000081	TANK, OIL	1	POWER PRUNER	
19	+	131045-28230	COLLAR	2		
20	+	V354-000010	COLLAR,6	1		
21	+	V805-000160	BOLT, TORX 5	2	TB-5*20 10.9	
22	+	V805-000170	BOLT, TORX 5	1	TB-5*25 10.9	
23	+	131314-06320	VALVE, CHECK	1		
24	+	P021-005591	CAP ASY	1		
25	++	900720-00018	O-RING 18	1	P-18	
26	++	A365-000050	CONNECTOR,CAP	1		
27	+	P100-001900	STRAINER, OIL	1		
28	+	130110-12330	PIPE, IMPULSE	1	3*6*70L	
29	+	132115-01461	GROMMET	1		
30	+	P100-003330	PIPE OIL ASY	1		
31	++	437244-39130	PAD, FORM	1		
32	+	C022-000010	OILER,ASM AUTO	1		
33	+	V805-000130	BOLT, TORX 5	2	TB-5*10 10.9	
34	+	C300-000920	GUARD, SPROCKET	1	COVER W/ SCREW	
35	+	433019-03933	NUT, FLANGE 6	2	6	
36	+	V651-000320	GEAR,BEVEL	1	14 TEETH 10MM LG	
37	+	V651-000310	GEAR,BEVEL	1	14 TEETH 3.0 SQ.	
38	+	V203-000041	BOLT,5	1		
39	+	V355-000140	COLLAR,8	1		
40	+	C309-000030	TENSIONER,CHAIN	1		
41	+	V252-000040	SCREW,4	1	4*8 PT SCREW	
42	+	C649-000140	HOOK	1	BRANCH HOOK	

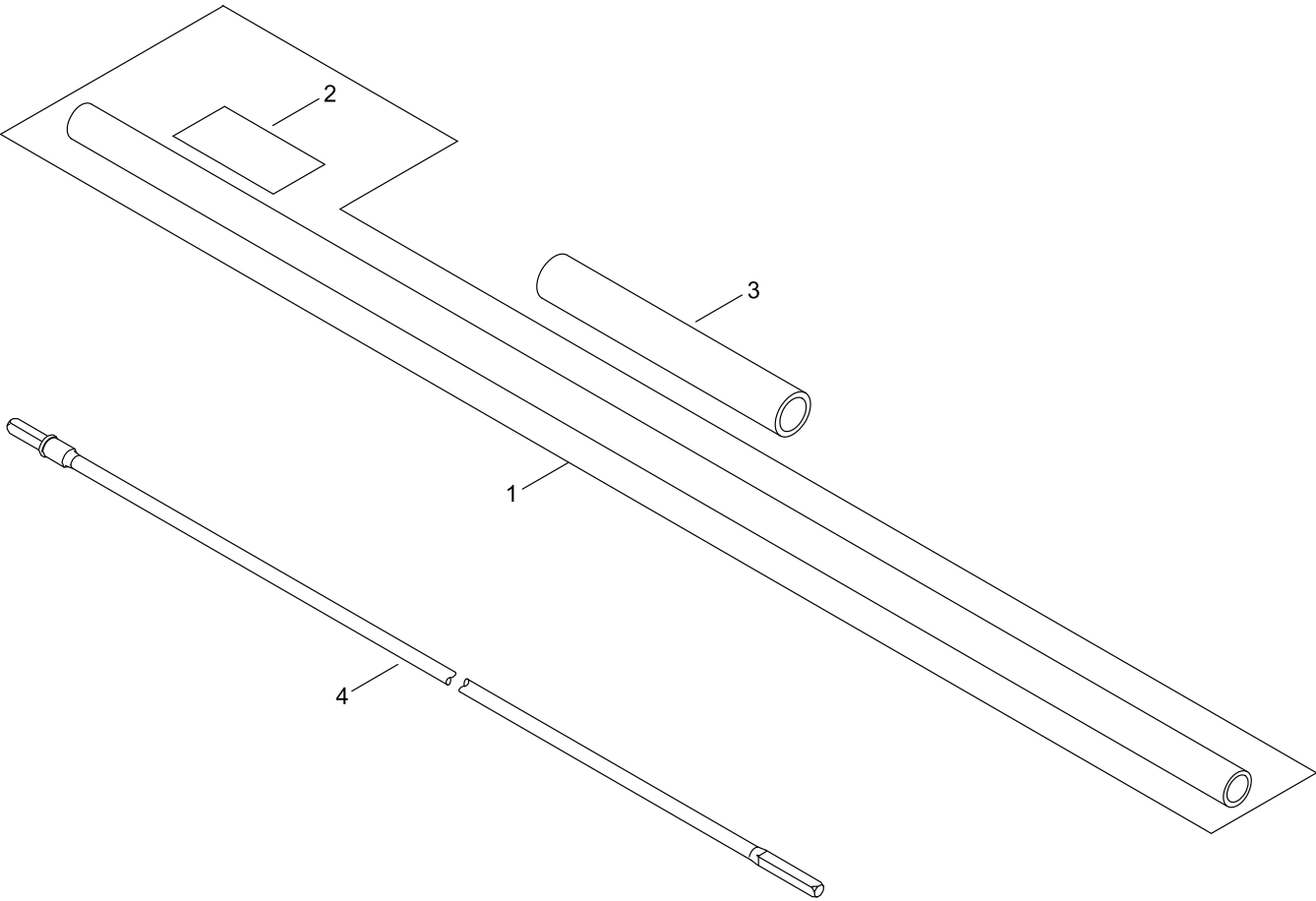
GEAR CASE



GEAR CASE

KEY NO	LV(+)	Part No	Description	Qty	Standard	Comment
43	+	V805-000130	BOLT, TORX 5	3	TB-5*10 10.9	
44		X502-000600	LABEL,ECHO	1	48MM*15MM + ECHO	

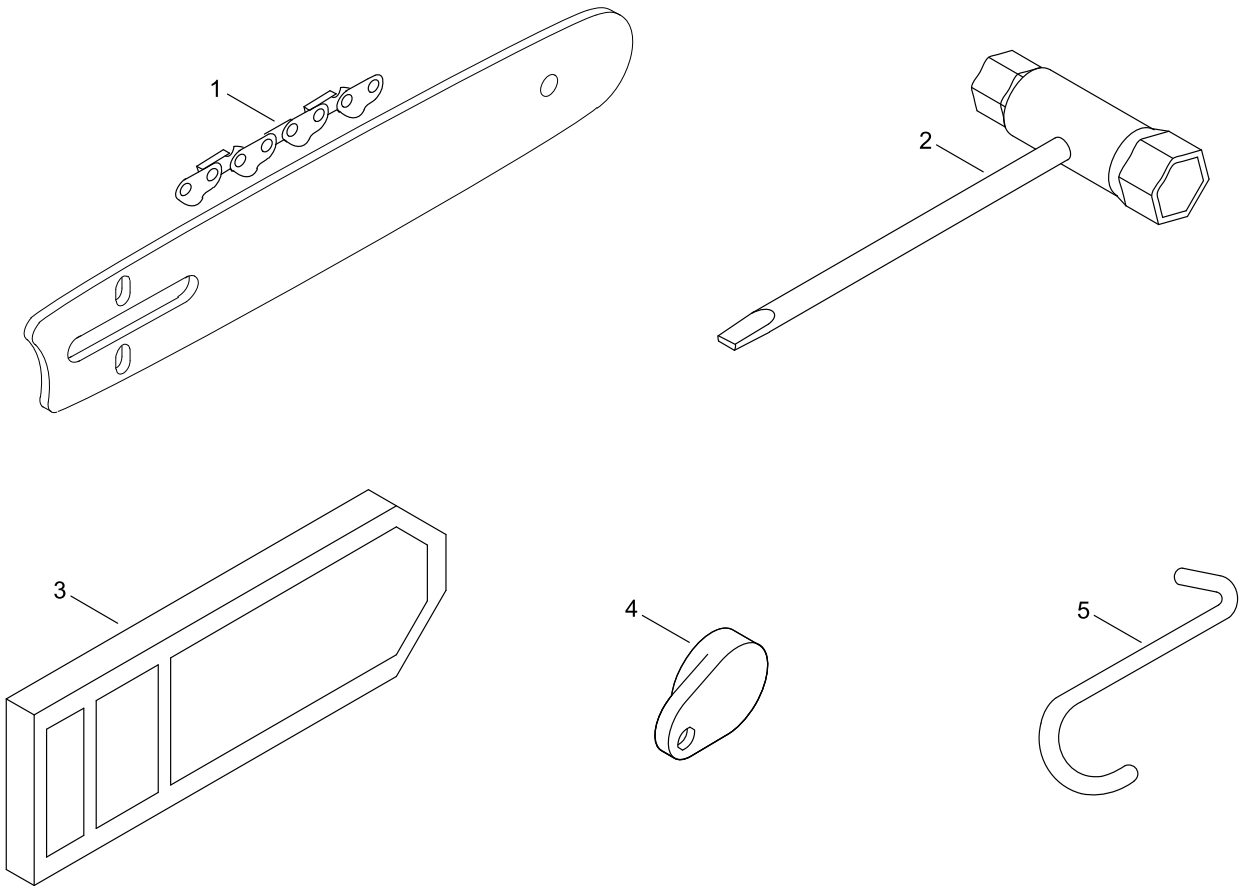
MAIN PIPE



MAIN PIPE

KEY NO	LV(+)	Part No	Description	Qty	Standard	Comment
1		P100-005840	MAIN PIPE ASY	1		
2	+	X505-001822	LABEL,CAUTION	1	ISO WARNINGS	
3		351012-21560	GRIP, HANDLE	1		
4		C506-000530	SHAFT, FLEXIBLE	1	L:43.58" / 1107MM	

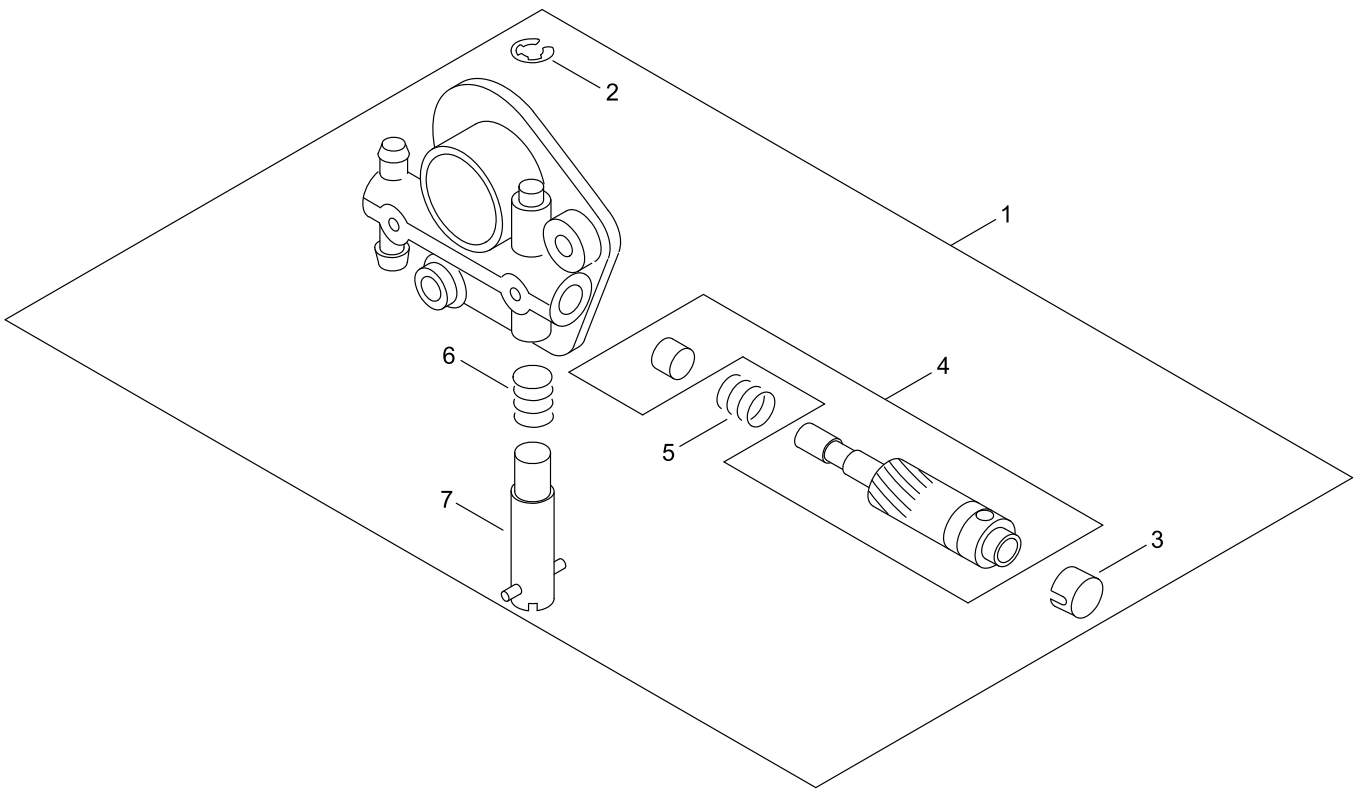
ACCESSORIES



ACCESSORIES

KEY NO	LV(+)	Part No	Description	Qty	Standard	Comment
1		X221-000070	CHAIN,SAW	1		
2		895410-39132	WRENCH, W/S-DRIVER	1		
3		X490-000060	SCABBARD,CHAIN	1		
4		C525-000012	CAP,MAIN PIPE	1	25MM PIPE	
5		C649-000121	HOOK	1	8 DEGREE BEND	

OILER



OILER

KEY NO	LV(+)	Part No	Description	Qty	Standard	Comment
1		C022-000010	OILER,ASM AUTO	1		
2	+	125327-15130	CLIP	1		
3	+	P022-010640	CAP, OIL PUMP	1		
4	+	P022-010650	PLUNGER	1		
5	+	P022-010660	SPRING	1		
6	+	P022-010670	SPRING	1		
7	+	P022-010680	SCREW ASS'Y, ADJUST	1		

NUMERICAL PARTS INDEX

Part No	Part description	Page	Part No	Part description	Page	Part No	Part description	Page
125327-1-5130	CLIP	10	C534-00-0430	SHAFT, GEAR	2	V651-00-0320	GEAR,BEVEL	2
130110-1-2330	PIPE, IMPULSE	2	C580-00-0070	SPROCKET,DRIVE	2	V805-00-0130	BOLT, TORX 5	2
131045-2-8230	COLLAR	2	C649-00-0121	HOOK	8	V805-00-0130	BOLT, TORX 5	4
131314-0-6320	VALVE, CHECK	2	C649-00-0140	HOOK	2	V805-00-0160	BOLT, TORX 5	2
132115-0-1461	GROMMET	2	P021-00-5591	CAP ASY	2	V805-00-0170	BOLT, TORX 5	2
175014-3-9131	WASHER, CLUTCH	2	P022-01-0640	CAP, OIL PUMP	10	X221-00-0070	CHAIN,SAW	8
351012-2-1560	GRIP, HANDLE	6	P022-01-0650	PLUNGER	10	X490-00-0060	SCABBARD,CHAIN	8
433019-0-3933	NUT, FLANGE 6	2	P022-01-0660	SPRING	10	X502-00-0600	LABEL,ECHO	4
437063-3-8330	GEAR, WORM	2	P022-01-0670	SPRING	10	X505-00-1822	LABEL,CAUTION	6
437244-3-9130	PAD, FORM	2	P022-01-0680	SCREW ASS'Y, ADJUST	10			
895410-3-9132	WRENCH, W/S-DRIVER	8	P100-00-1900	STRAINER, OIL	2			
900706-0-0012	CIRCLIP 12	2	P100-00-3330	PIPE OIL ASY	2			
900720-0-0018	O-RING 18	2	P100-00-5830	CASE ASY, GEAR	2			
94052-06-001	BEARING BALL	2	P100-00-5840	MAIN PIPE ASY	6			
A365-00-0050	CONNECTOR,CAP	2	V203-00-0041	BOLT,5	2			
C022-00-0010	OILER,ASM AUTO	2	V224-00-0040	BOLT,STUD 6	2			
C022-00-0010	OILER,ASM AUTO	10	V252-00-0040	SCREW,4	2			
C200-00-0081	TANK, OIL	2	V307-00-0160	WASHER,CIRCULAR 10	2			
C300-00-0920	GUARD, SPROCKET	2	V354-00-0010	COLLAR,6	2			
C309-00-0030	TENSIONER,CHAIN	2	V355-00-0140	COLLAR,8	2			
C506-00-0530	SHAFT, FLEXIBLE	6	V583-00-0090	RING	2			
C525-00-0012	CAP,MAIN PIPE	8	V651-00-0201	GEAR,BEVEL	2			
C531-00-0010	CASE,GEAR	2	V651-00-0230	GEAR,BEVEL	2			
C531-00-0460	CASE,GEAR	2	V651-00-0310	GEAR,BEVEL	2			