

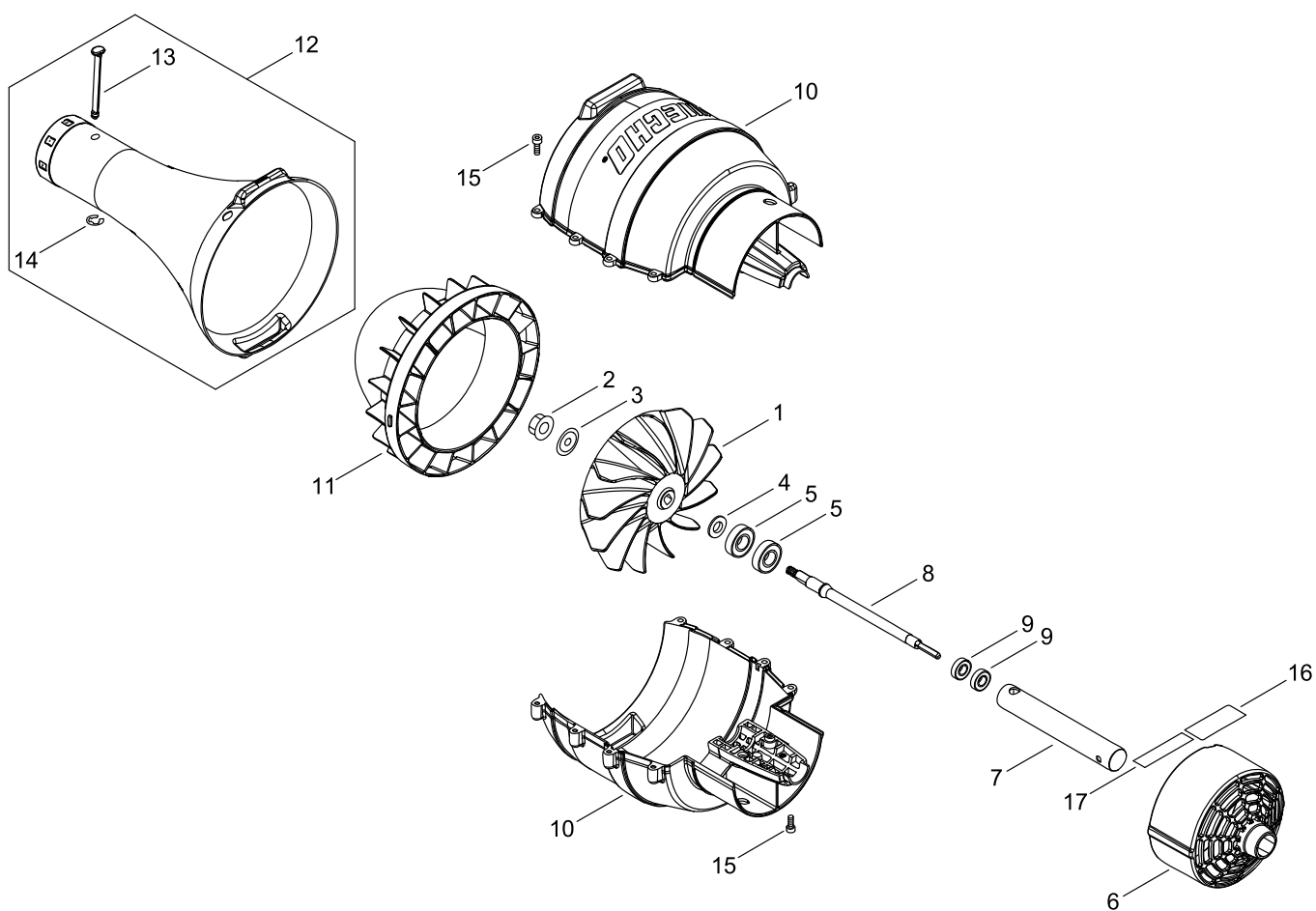
MTA-PB

Published:04/16/2018

TABLE OF CONTENTS

FAN CASE	1
ACCESSORIES	3

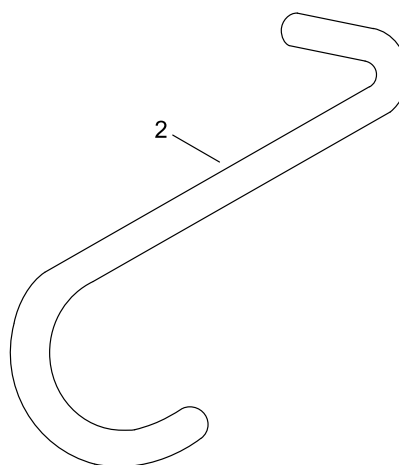
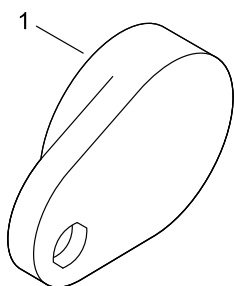
FAN CASE



FAN CASE

KEY NO	LV(+)	Part No	Description	Qty	Standard	Comment
1		E100-000250	FAN,BLOWER	1	PAS BLOWER	
2		92108-08000	NUT, FLANGE	1	M-8 並目三価	
3		100143-19830	WASHER	1	8.2*31*0.8	
4		V309-000140	WASHER,CIRCULAR 12	1	22*12.07*T=2	
5		94052-06201	BEARING, BALL	2	PEER LLU,DDU 2RS	
6		E104-000200	GRID, BLOWER	1	PAS BLOWER	
7		C050-002220	PIPE, MAIN	1	PAS BLOWER	
8		C504-001040	SHAFT, DRIVE	1	PAS BLOWER	
9		94052-06900	BEARING, BALL	2	PEER LLU,DDU 2RS	
10		E103-000990	CASE,FAN	2	ECHO PAS BLOWER	
11		M106-001050	STATOR	1	PAS BLOWER	
12		E165-000640	PIPE,BLOWER	1	EU ASS'Y PIPE	
13	+	E178-000080	GUARD,PIPE	1	EU対応ガード	
14	+	V583-000080	RING	1	CE-5	
15		V805-000010	BOLT, TORX 5	10	TT-5*20 DG 10.9	
16		X505-009970	LABEL,CAUTION	1	ISO SYMBOL PB	
17		X547-002281	LABEL,ECHO	1	ECHO+PAS BLOWER	

ACCESSORIES



ACCESSORIES

KEY NO	LV(+)	Part No	Description	Qty	Standard	Comment
1		C525-000012	CAP,MAIN PIPE	1	25MM PIPE	
2		C649-000121	HOOK	1	8 DEGREE BEND	

NUMERICAL PARTS INDEX

Part No	Part description	Page
100143-1-9830	WASHER	2
92108-08-000	NUT, FLANGE	2
94052-06-201	BEARING, BALL	2
94052-06-900	BEARING, BALL	2
C050-00-2220	PIPE, MAIN	2
C504-00-1040	SHAFT, DRIVE	2
C525-00-0012	CAP,MAIN PIPE	4
C649-00-0121	HOOK	4
E100-00-0250	FAN,BLOWER	2
E103-00-0990	CASE,FAN	2
E104-00-0200	GRID, BLOWER	2
E165-00-0640	PIPE,BLOWER	2
E178-00-0080	GUARD,PIPE	2
M106-00-1050	STATOR	2
V309-00-0140	WASHER,CIRCULAR 12	2
V583-00-0080	RING	2
V805-00-0010	BOLT, TORX 5	2
X505-00-9970	LABEL,CAUTION	2
X547-00-2281	LABEL,ECHO	2