

**MTA-LE/S**

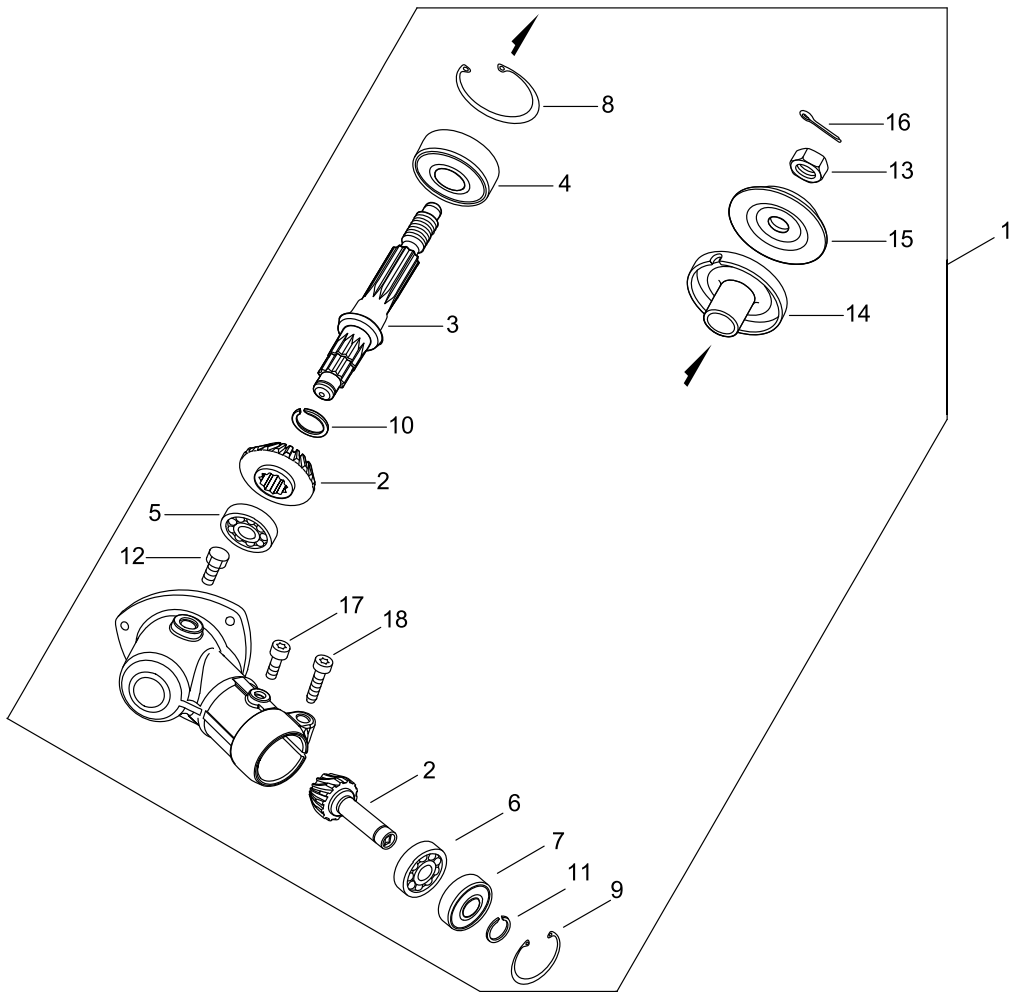
**Published:07/16/2018**

## TABLE OF CONTENTS

---

GEAR CASE .....	1
MAIN PIPE .....	3
SHIELD .....	5
ACCESSORIES .....	7

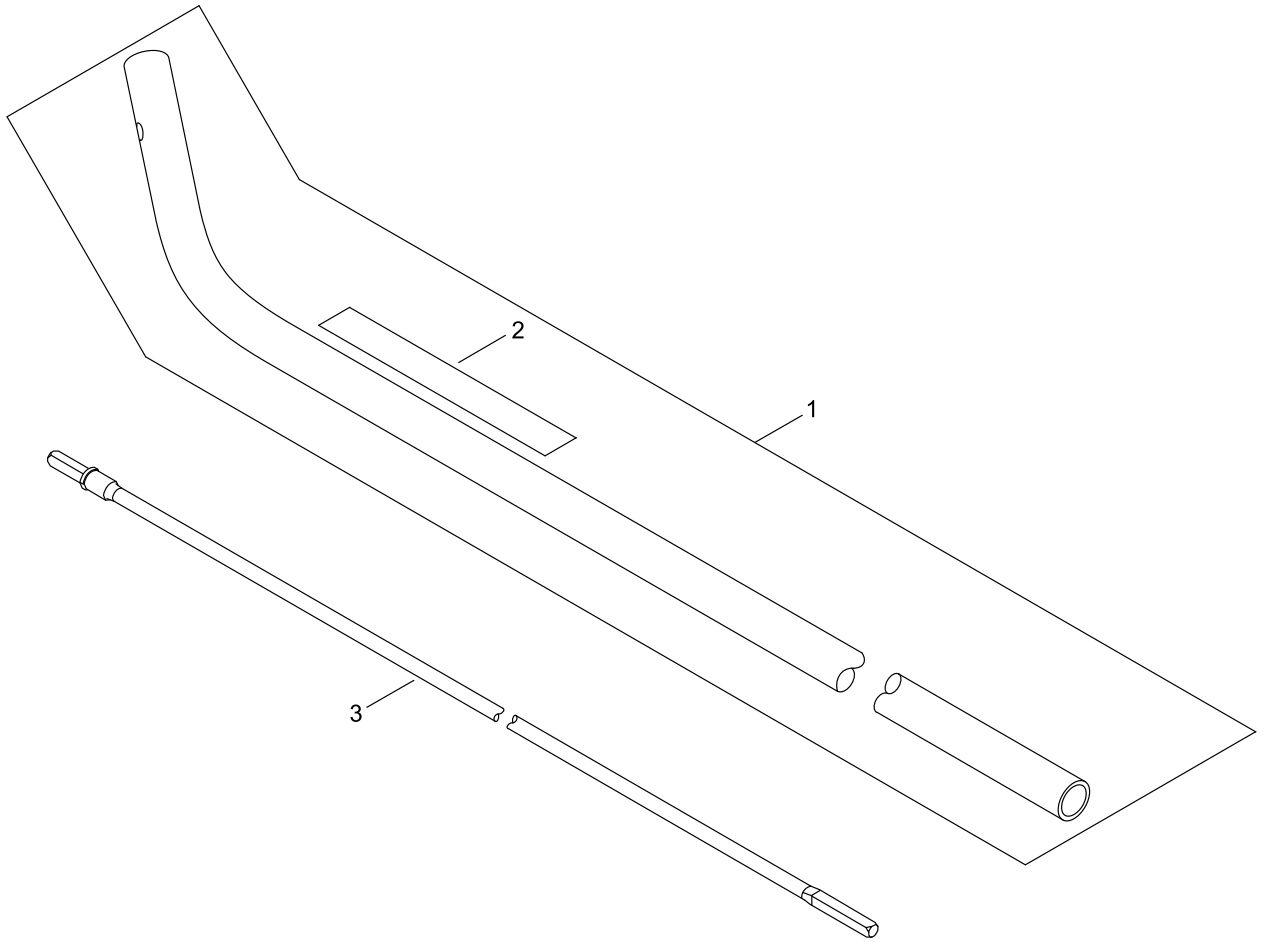
# GEAR CASE



## GEAR CASE

KEY NO	LV(+)	Part No	Description	Qty	Standard	Comment
1		P021-051361	GEAR CASE ASY	1		
2	+	V000-000270	GEAR SET, BEVEL	1	W/ NSK609	
3	+	C534-000220	SHAFT,GEAR	1		
4	+	900812-06302	BEARING, BALL	1	BB6302 LLU, DDU	
5	+	900810-00629	BEARING, BALL 629	1	629	
6	+	900800-00609	BEARING, BALL 609	1	609	
7	+	900803-00609	BEARING, BALL 609	1	609Z	
8	+	900702-00042	CIRCLIP 42	1	CR-42	
9	+	900702-00025	CIRCLIP 25	1	CR-25	
10	+	900706-00012	CIRCLIP 12	1	WR-12	
11	+	900701-00009	CIRCLIP 9	1	CS-9	
12	+	610434-50031	BOLT 8* 8	1	M8*8	
13	+	900513-00010	NUT 10*1.25 3N L-H	1	3N10*1.25	
14	+	C535-000100	FIXTURE,BLADE	1		
15	+	610314-04131	PLATE, ADAPTER (L)	1		
16	+	900300-20022	PIN, SPLIT 2*22	1	2*22	
17	+	V805-000140	BOLT, TORX 5	1	TB-5*12 10.9	
18	+	V805-000170	BOLT, TORX 5	1	TB-5*25 10.9	

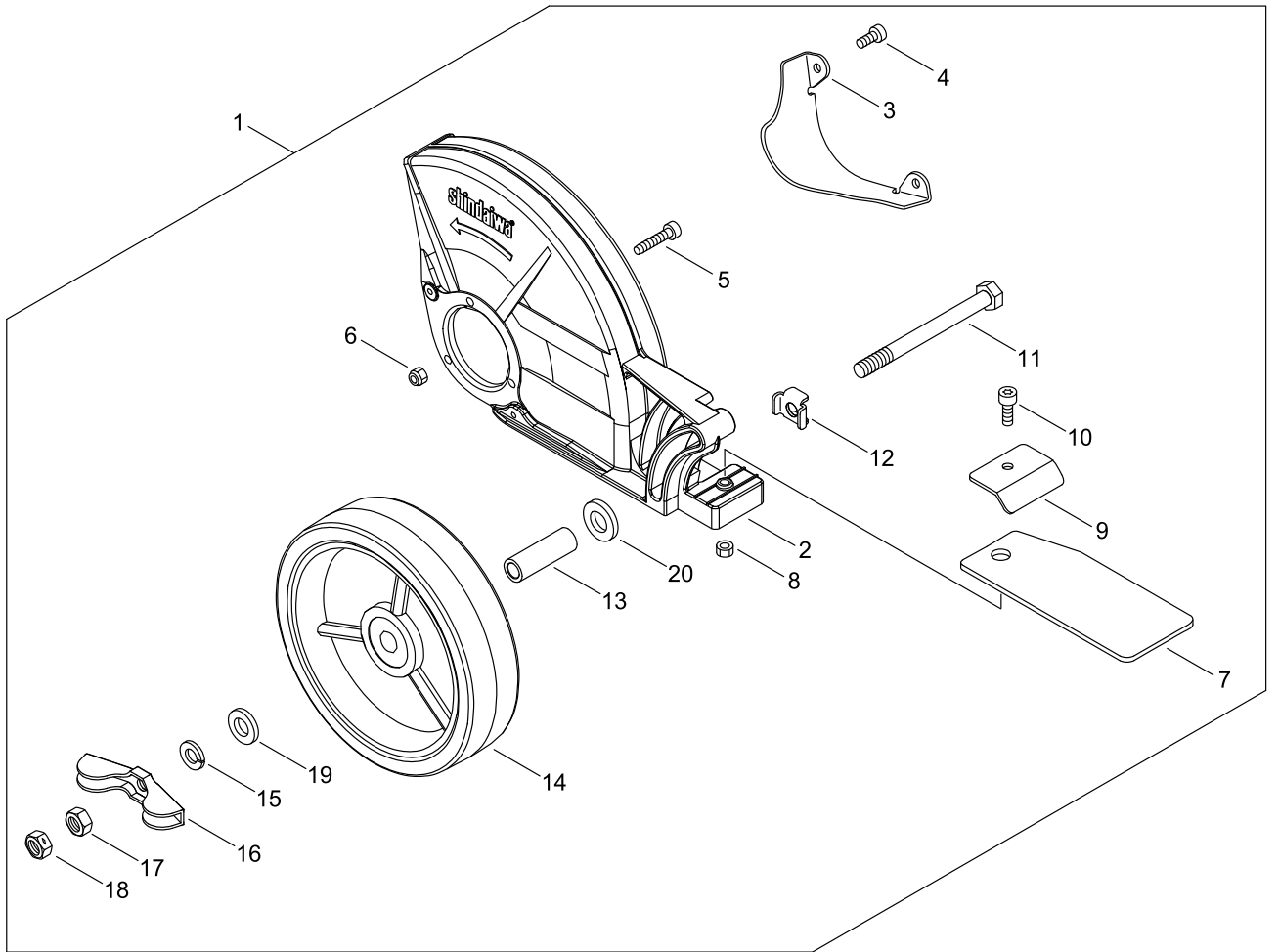
# MAIN PIPE



## MAIN PIPE

KEY NO	LV(+)	Part No	Description	Qty	Standard	Comment
1		P100-005820	MAIN PIPE ASY	1		
2	+	890160-25560	LABEL, CAUTION	1		
3		C506-000480	SHAFT, FLEXIBLE	1	L:29.61" / 752MM	

# SHIELD

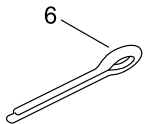
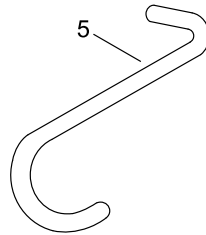
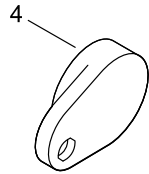
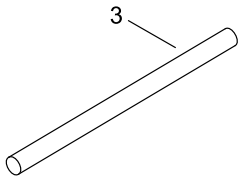
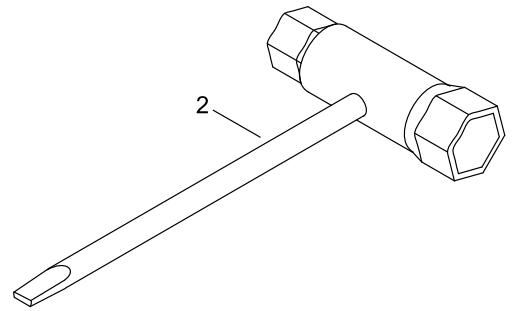
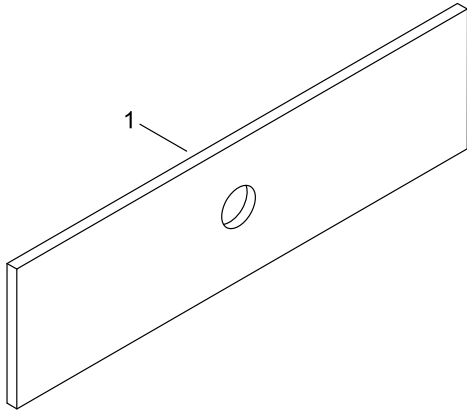


## SHIELD

KEY NO	LV(+)	Part No	Description	Qty	Standard	Comment
1		P100-005910	EDGER KIT	1		
2	+	C550-000690	SHIELD, BLADE	1	LE SHIELD	
3	+	C557-000430	PLATE,PROTECTION	1	C550231-030X	
4	+	V804-000000	BOLT, TORX 4	2	TT-4*12 DG 10.9	
5	+	V805-000170	BOLT, TORX 5	3	TB-5*25 10.9	
6	+	900562-50005	LOCKNUT 5	3	5	
7	+	C550-000470	FLAP	1		
8	+	900562-50005	LOCKNUT 5	1	5	
9	+	V152-002410	PLATE	1		
10	+	V805-000150	BOLT, TORX 5	1	TB-5*16 10.9	
11	+	900100-08090	BOLT 8*90	1	8*90	
12	+	V152-002400	LOCK PLATE	1		
13	+	302424-52630	COLLAR, 12	1		
14	+	C730-000120	WHEEL	1	EDGER WHEEL	
15	+	900605-00008	WASHER, SPRING 8	1	8	
16	+	V299-000440	KNOB	1		
17	+	900500-00008	NUT 8	1	8*P1.25	
18	+	V265-000340	LOCK NUT	1		
19	+	900602-00008	WASHER 8	1	8.4*17*1.6	
20	+	900602-00010	WASHER 10(10.5*21*2)	1	10.5*21*2	



# ACCESSORIES



## ACCESSORIES

KEY NO	LV(+)	Part No	Description	Qty	Standard	Comment
1		X410-000010	CUTTER	1	50*197*PD25.5	
2		X602-000020	TOOL,WRENCH	1	17*19 L200	
3		X606-000080	TOOL,BAR	1	5*120	
4		C525-000012	CAP,MAIN PIPE	1	25MM PIPE	
5		C649-000121	HOOK	1	8 DEGREE BEND	
6		900300-20022	PIN, SPLIT 2*22	2	2*22	

## NUMERICAL PARTS INDEX

Part No	Part description	Page	Part No	Part description	Page
302424-5-2630	COLLAR, 12	6	C535-00-0100	FIXTURE, BLADE	2
610314-0-4131	PLATE, ADAPTER (L)	2	C550-00-0470	FLAP	6
610434-5-0031	BOLT 8* 8	2	C550-00-0690	SHIELD, BLADE	6
890160-2-5560	LABEL, CAUTION	4	C557-00-0430	PLATE, PROTECTION	6
900100-0-8090	BOLT 8*90	6	C649-00-0121	HOOK	8
900300-2-0022	PIN, SPLIT 2*22	2	C730-00-0120	WHEEL	6
900300-2-0022	PIN, SPLIT 2*22	8	P021-05-1361	GEAR CASE ASY	2
900500-0-0008	NUT 8	6	P100-00-5820	MAIN PIPE ASY	4
900513-0-0010	NUT 10*1.25 3N L-H	2	P100-00-5910	EDGER KIT	6
900562-5-0005	LOCKNUT 5	6	V000-00-0270	GEAR SET, BEVEL	2
900602-0-0008	WASHER 8	6	V152-00-2400	LOCK PLATE	6
900602-0-0010	WASHER 10 (10.5*21*2)	6	V152-00-2410	PLATE	6
900605-0-0008	WASHER, SPRING 8	6	V265-00-0340	LOCK NUT	6
900701-0-0009	CIRCLIP 9	2	V299-00-0440	KNOB	6
900702-0-0025	CIRCLIP 25	2	V804-00-0000	BOLT, TORX 4	6
900702-0-0042	CIRCLIP 42	2	V805-00-0140	BOLT, TORX 5	2
900706-0-0012	CIRCLIP 12	2	V805-00-0150	BOLT, TORX 5	6
900800-0-0609	BEARING, BALL 609	2	V805-00-0170	BOLT, TORX 5	2
900803-0-0609	BEARING, BALL 609	2	V805-00-0170	BOLT, TORX 5	6
900810-0-0629	BEARING, BALL 629	2	X410-00-0010	CUTTER	8
900812-0-6302	BEARING, BALL	2	X602-00-0020	TOOL, WRENCH	8
C506-00-0480	SHAFT, FLEXIBLE	4	X606-00-0080	TOOL, BAR	8
C525-00-0012	CAP, MAIN PIPE	8			
C534-00-0220	SHAFT, GEAR	2			