

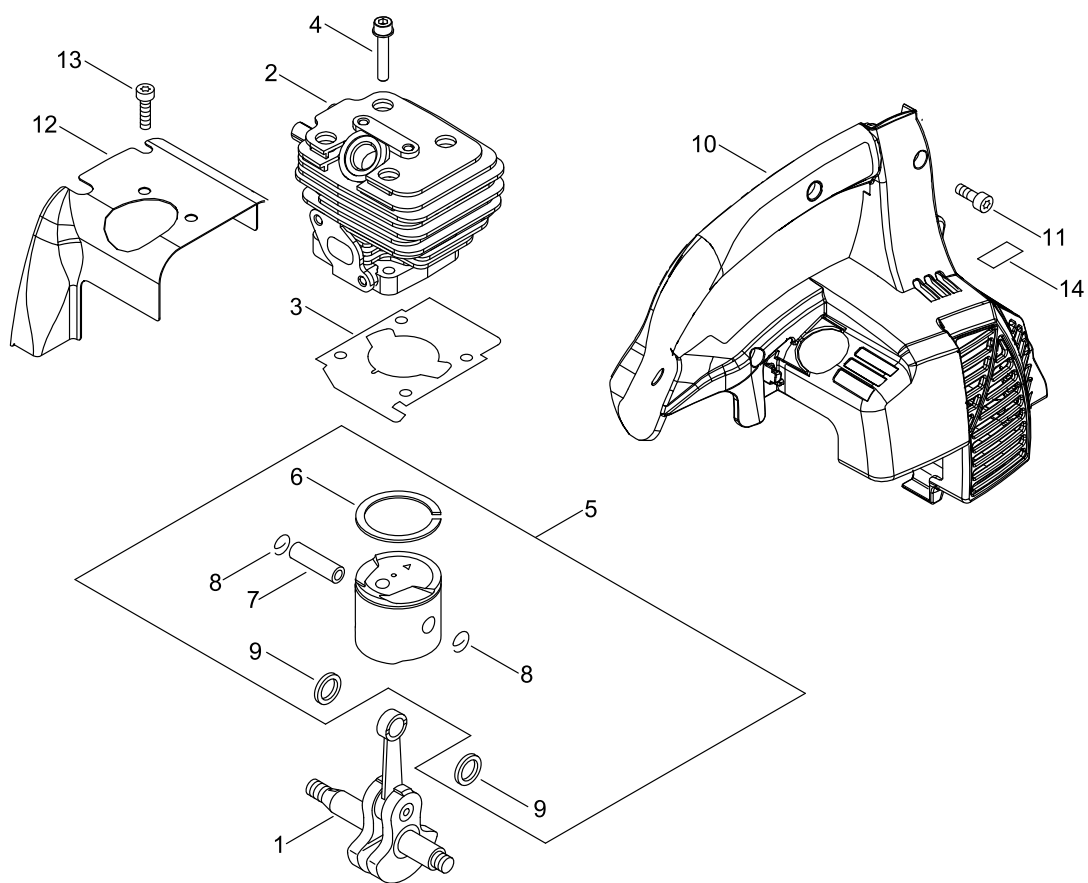
ES-250ES

Published:01/17/2018

TABLE OF CONTENTS

CYLINDER, PISTON, CRANKSHAFT.....	1
CRANKCASE	3
MAGNETO.....	5
AIR CLEANER, CARBURETOR.....	7
CARBURETOR.....	9
FUEL TANK.....	11
MUFFLER	13
RECOIL STARTER, PULLY	15
FAN CASE	17
THROTTLE	19
PIPE.....	21
ACCESSORIES	23

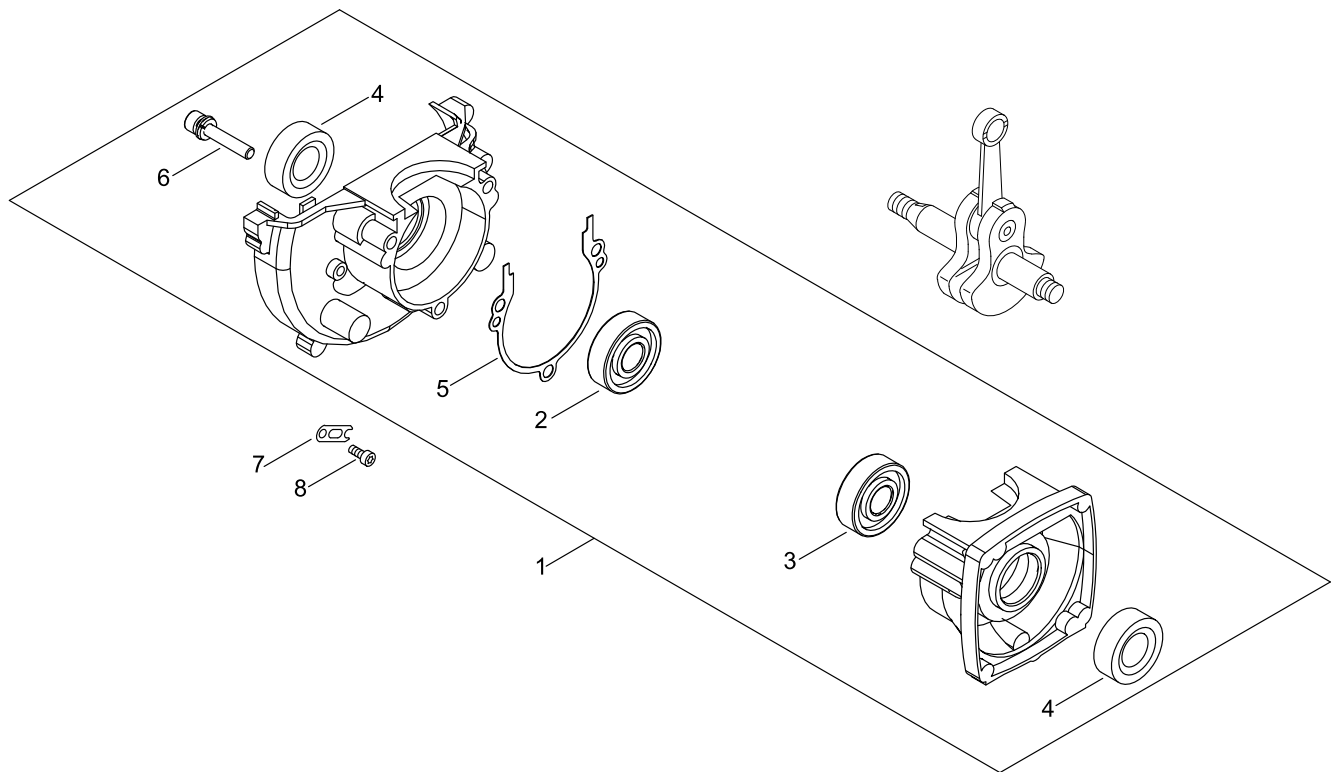
CYLINDER, PISTON, CRANKSHAFT



CYLINDER, PISTON, CRANKSHAFT

KEY NO	LV(+)	Part No	Description	Qty	Standard	Comment
1		A011-000590	CRANKSHAFT,ASY	1		
2		A130-001020	CYLINDER	1		
3		V100-000190	GASKET,CYL	1		
4		900162-05025	BOLT, H.S. 5*25	4	5*25 W,SW	
5		P021-017410	PISTON KIT	1		
6	+	A101-000140	RING, PISTON	1	B1.2 T1.5	
7	+	V606-000000	PIN,ENG 8	1	5*8*28	
8	+	100015-04630	CIRCLIP, PISTON PIN	2		
9	+	100014-11520	SPACER, PISTON PIN	2		
10		P021-049230	ENGINE COVER ASY	1		
11		V805-000010	BOLT, TORX 5	6	TT-5*20 DG 10.9	
12		A160-001260	COVER,CYLINDER	1		
13		V805-000120	BOLT, TORX 5	2	TB-5*8 10.9	
14		X505-002310	LABEL,CAUTION	1	HOT CAUTION	

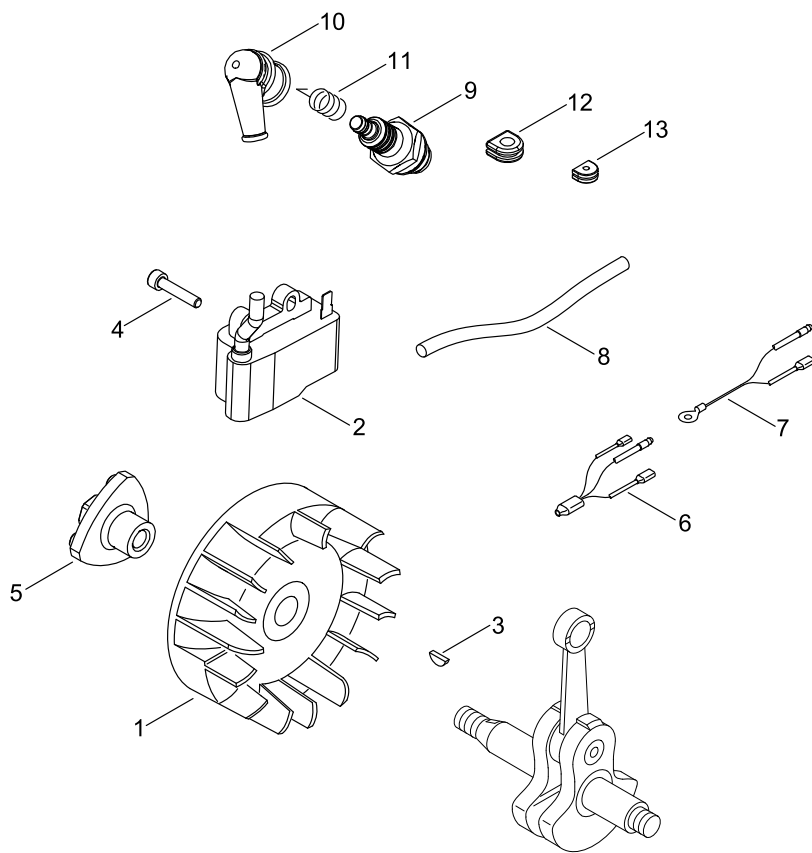
CRANKCASE



CRANKCASE

KEY NO	LV(+)	Part No	Description	Qty	Standard	Comment
1		P021-008231	CRANKCASE KIT	1		
2	+	94035-36201	BEARING BALL	1	6201X3JR2C3	
3	+	94035-36201	BEARING BALL	1	6201X3JR2C3	
4	+	100212-42031	OILSEAL	2	ISCD 12*22*4.5	
5	+	100242-42030	GASKET, CRANKCASE	1		
6	+	900162-05028	BOLT, H.S. 5*28	3	5*28 W,SW	
7		V150-002400	PLATE,EYE	1		
8		V805-000120	BOLT, TORX 5	1	TB-5*8 10.9	

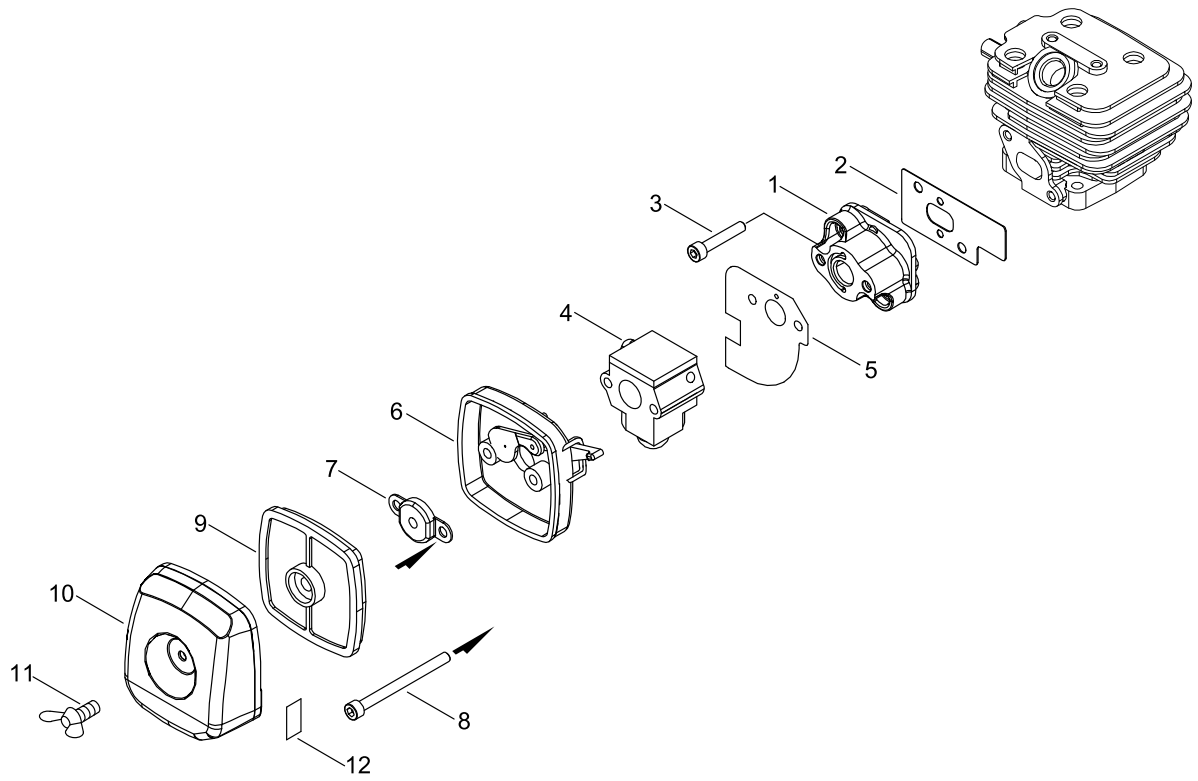
MAGNETO



MAGNETO

KEY NO	LV(+)	Part No	Description	Qty	Standard	Comment
1		A409-001250	ROTOR, MAGNETO	1	ID:R10024 (C1330)	
2		A411-000500	COIL, IGNITION	1		
3		100142-12330	KEY, WOODRUFF	1		
4		V804-000070	BOLT, TORX 4	2	TB-4*20 12.9	
5		E101-000122	HUB,FAN	1		
6		V485-002210	LEAD	1		
7		V485-002220	LEAD	1		
8		V475-006820	TUBE	1	L120	
9		A425-000000	SPARKPLUG	1	BPMR8Y	
10		159012-03433	CAP, SPARK PLUG	1		
11		159011-03432	COIL, SPARK PLUG	1		
12		156110-04920	BUSHING	1		
13		152115-05530	BUSHING	1		

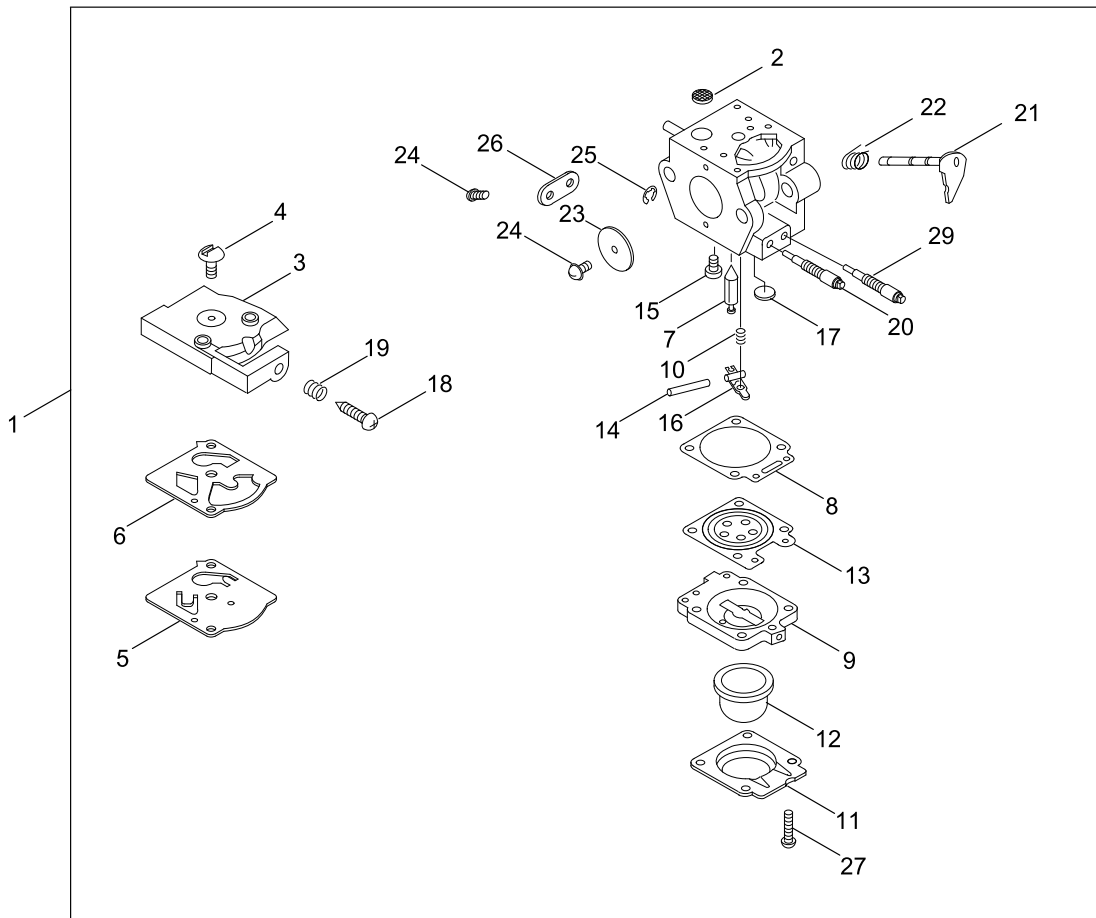
AIR CLEANER, CARBURETOR



AIR CLEANER, CARBURETOR

KEY NO	LV(+)	Part No	Description	Qty	Standard	Comment
1		A200-000370	INSULATOR, INTAKE	1		
2		V103-000540	GASKET,INTAKE	1		
3		V805-000220	BOLT, TORX 5	2	TB-5*25 12.9	
4		A021-001882	CARBURETOR, DIAPHRAGM	1	WTA-33	
5		V103-000550	GASKET,INTAKE	1		
6		P021-004480	CASE, AIR CLEANER	1		
7		129011-52730	PLATE, PREVENT	1		
8		V805-000100	BOLT, TORX 5	2	TB-5*65 10.9	
9		A226-001410	ELEMENT,AIR FILTER	1		
10		130313-05863	LID, AIR CLEANER	1		
11		210417-52730	BOLT, WING	1	5*20	
12		890332-52730	LABEL, CHOKE	1		

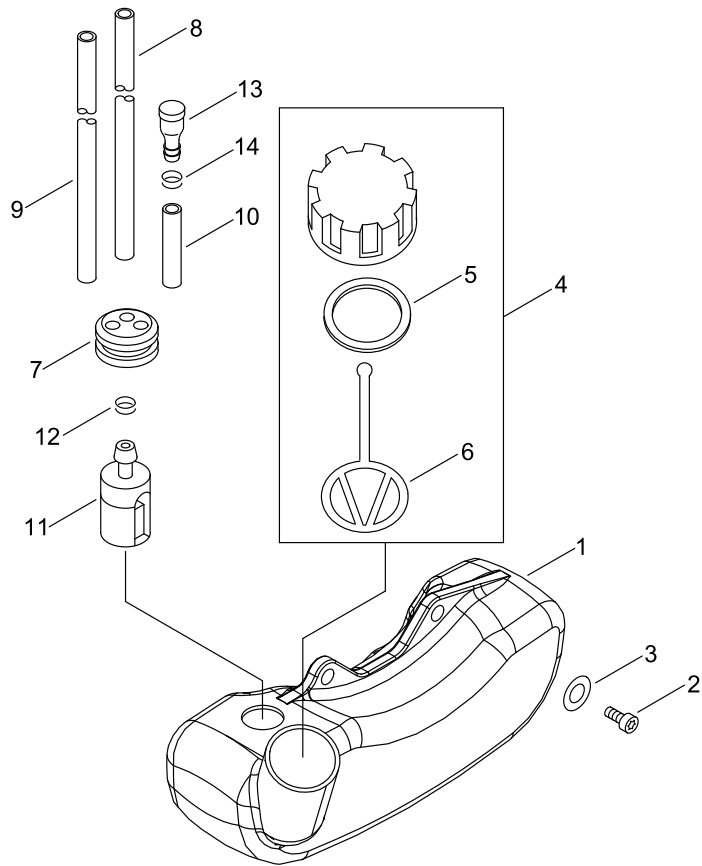
CARBURETOR



CARBURETOR

KEY NO	LV(+)	Part No	Description	Qty	Standard	Comment
1		A021-001882	CARBURETOR, DIAPHRAGM	1	WTA-33	
2	+	123126-10631	SCREEN, INLET	1		
3	+	P003-004880	COVER, FUEL PUMP	1		
4	+	123110-03930	SCREW, PUMP COVER	1		
5	+	123112-15030	DIAPHRAGM, FUEL PUMP	1		
6	+	123125-15030	GASKET, FUEL PUMP	1		
7	+	123137-19830	VALVE, INLET NEEDLE	1		
8	+	P003-003840	GASKET, M. DIAPHRAGM	1		
9	+	P003-003850	BODY, AIR PURGE	1		
10	+	P003-003860	SPRING	1		
11	+	123142-05560	COVER, PRIMER PUMP	1		
12	+	123181-40630	PUMP, PRIMER	1		
13	+	P003-001850	DIAPHRAGM, METERING	1		
14	+	123138-03930	PIN, METERING LEVER	1		
15	+	123139-03930	SCREW, M. LEVER PIN	1		
16	+	123123-03930	LEVER, METERING	1		
17	+	123146-10631	PLUG, WELCH	1		
18	+	P003-001400	SCREW, IDLE ADJUST	1		
19	+	123133-04260	SPRING, IDLE ADJUST	1		
20	+	P003-004010	NEEDLE	1		
21	+	P003-003880	SHAFT ASY, THROTTLE	1		
22	+	P003-003890	SPRING	1		
23	+	P003-003900	VALVE, THROTTLE	1		
24	+	123114-38830	SCREW	2		
25	+	123127-15030	RING	1		
26	+	P003-003910	THROTTLE, LEVER	1		
27	+	123144-02960	SCREW	4		
29	+	P003-004020	NEEDLE	1		

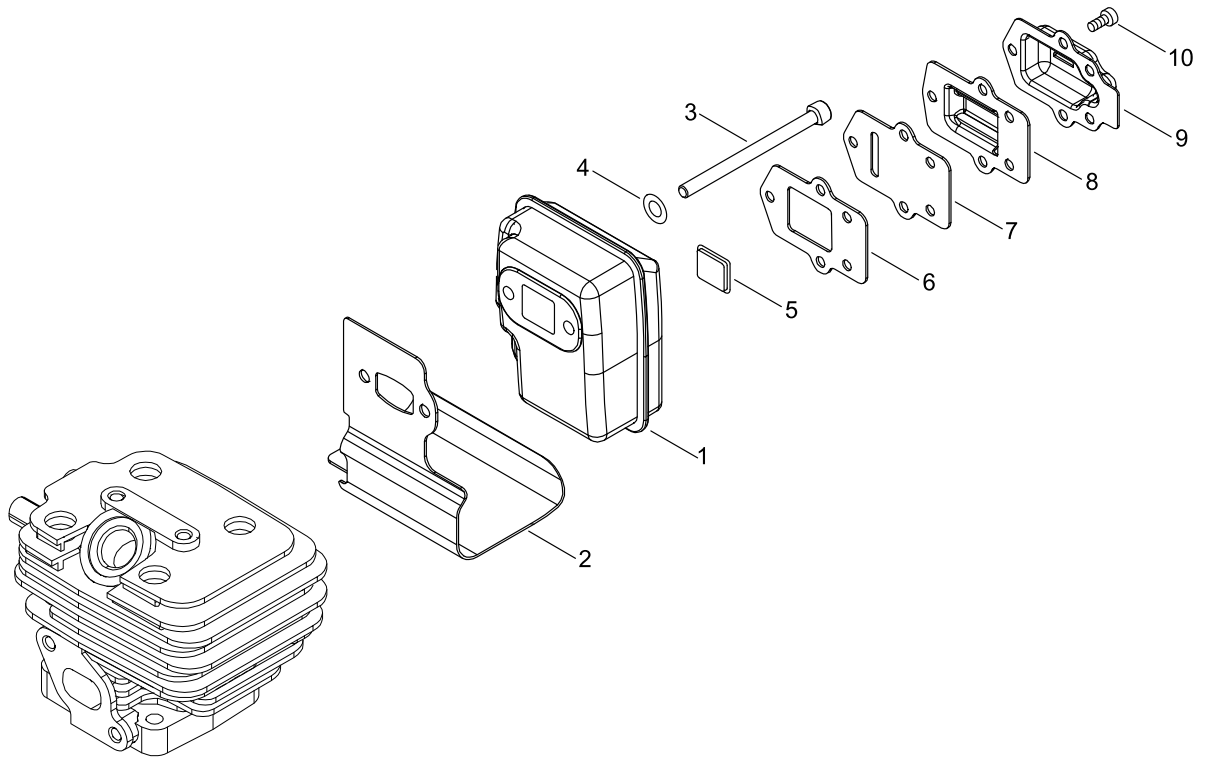
FUEL TANK



FUEL TANK

KEY NO	LV(+)	Part No	Description	Qty	Standard	Comment
1		131005-20561	TANK, FUEL	1		
2		V805-000150	BOLT, TORX 5	2	TB-5*16 10.9	
3		900603-00005	WASHER 5	2	5.5*12*0.8	
4		131004-55530	CAP ASSY, FUEL TANK	1		
5	+	131016-55830	GASKET, FUEL CAP	1		
6	+	131051-56030	CLIP, FUEL CAP	1	100L	
7		132115-46730	GROMMET, FUEL	1		
8		V471-002170	PIPE	1	3*5*230	
9		132010-49730	PIPE 3*6*85	1	3*6*85 YL	
10		132012-04631	PIPE	1	3*5*80 NBR	
11		131205-07321	STRAINER, FUEL	1		
12		V490-001240	CLIP	1	6MM	
13		A356-000031	VALVE,CHECK	1		
14		V490-001240	CLIP	1	6MM	

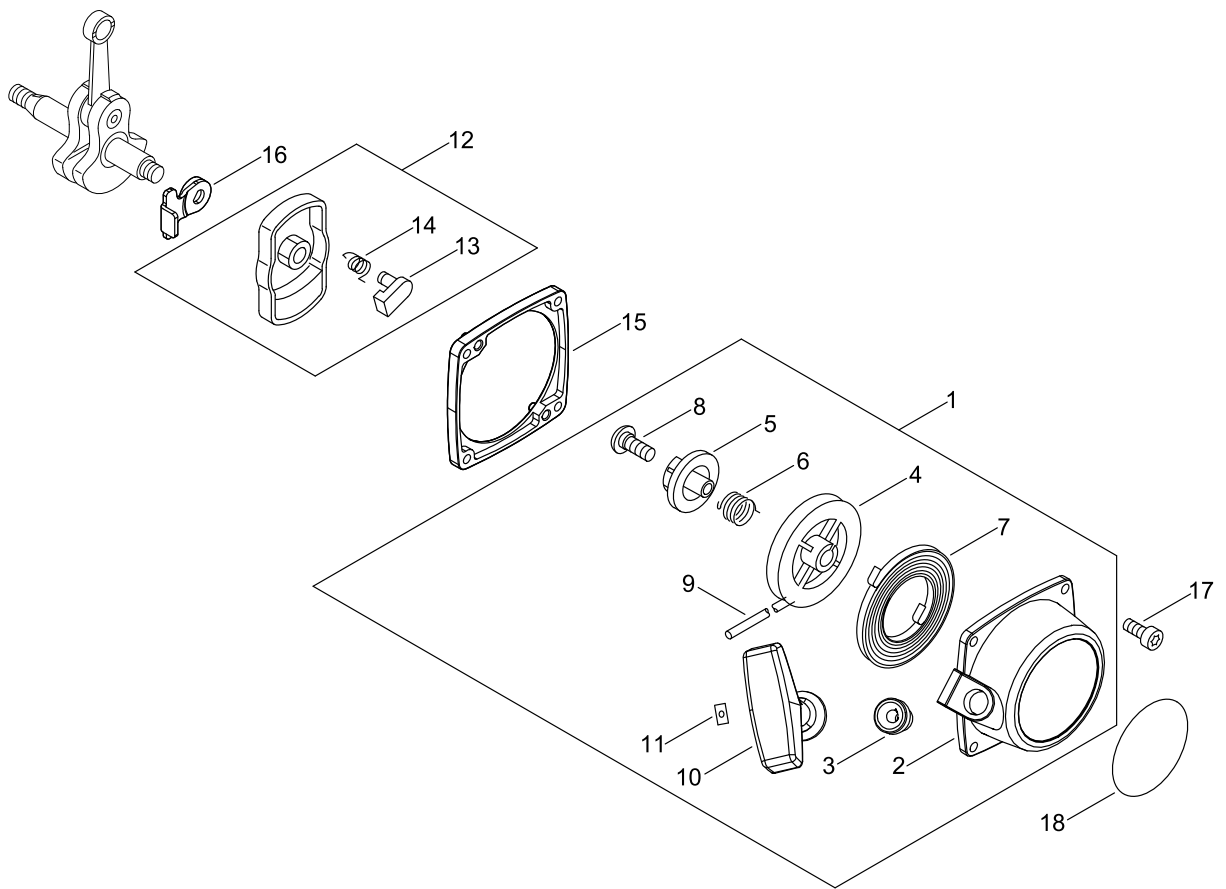
MUFFLER



MUFFLER

KEY NO	LV(+)	Part No	Description	Qty	Standard	Comment
1		A300-001630	MUFFLER, EXHAUST	1		
2		V104-000960	GASKET,EXHAUST	1		
3		V203-000190	BOLT,5	2	AN A2-70	
4		900603-00005	WASHER 5	2	5.5*12*0.8	
5		A310-000070	SCREEN, ARRESTOR	1	22*28*3	
6		V104-000941	GASKET,EXHAUST	1		
7		A313-001070	GUIDE, EXHAUST	1		
8		A313-000840	GUIDE, EXHAUST	1	20.5*3	
9		A313-001790	GUIDE, EXHAUST	1		
10		V804-000030	BOLT, TORX 4	5	TB-4*8 10.9	

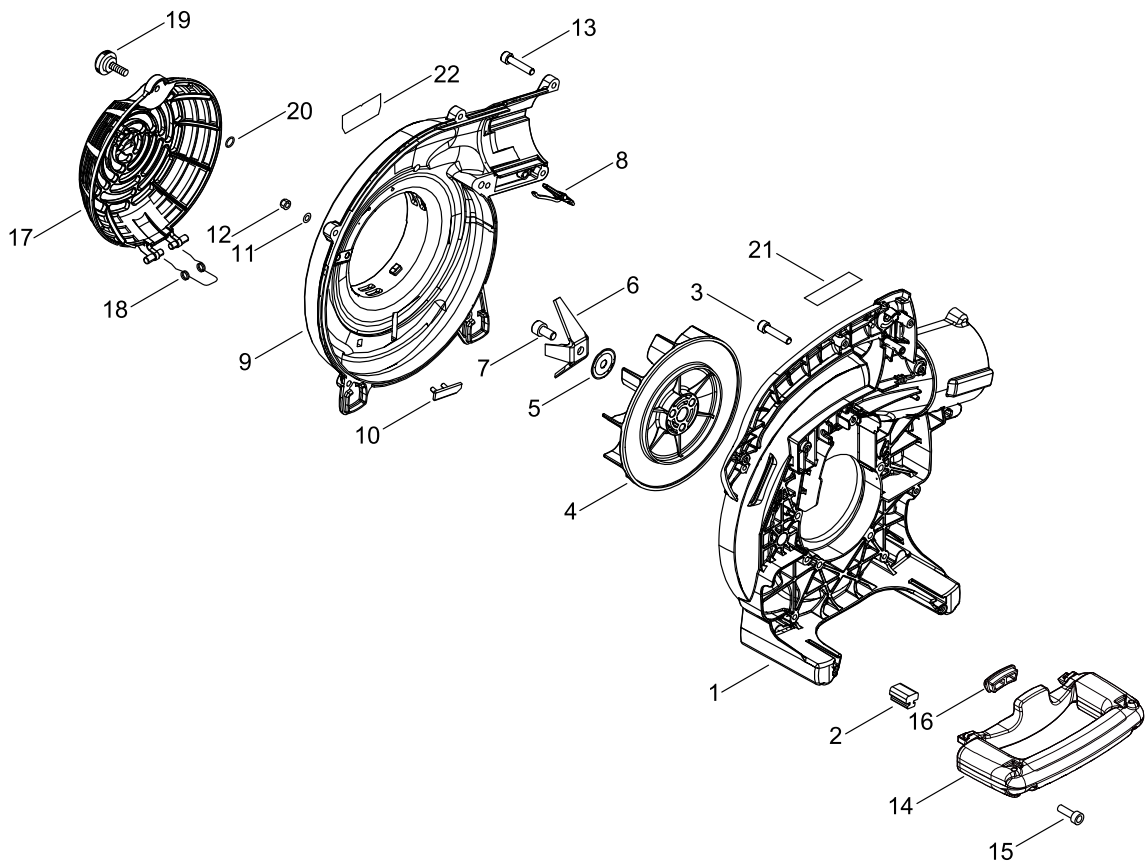
RECOIL STARTER, PULLY



RECOIL STARTER, PULLY

KEY NO	LV(+)	Part No	Description	Qty	Standard	Comment
1		A051-000741	STARTER,RECOIL	1		
2	+	P022-037720	STATER CASE	1		
3	+	177227-42030	GUIDE, ROPE	1		
4	+	P022-027980	DRUM, STARTER	1		
5	+	P022-028000	PLATE, CAM	1		
6	+	P022-008270	SPRING,DAMPER	1		
7	+	177220-42030	SPRING, REWIND	1		
8	+	177236-61830	SCREW	1		
9	+	P022-008260	ROPE	1	3M/M	
10	+	177228-27030	GRIP, STARTER	1		
11	+	P022-037670	STOPPER, ROPE	1		
12		A052-000440	PULLEY,ASM STARTER	1		
13	+	P022-020030	PAWL, STARTER	2		
14	+	P022-006510	SPRING, RETURN	2		
15		V376-001750	SPACER	1		
16		A115-000000	WEIGHT,BALANCE	1		
17		V804-000060	BOLT, TORX 4	4	TB-4*16 10.9	
18		X502-000330	LABEL,ECHO	1	ECHO	

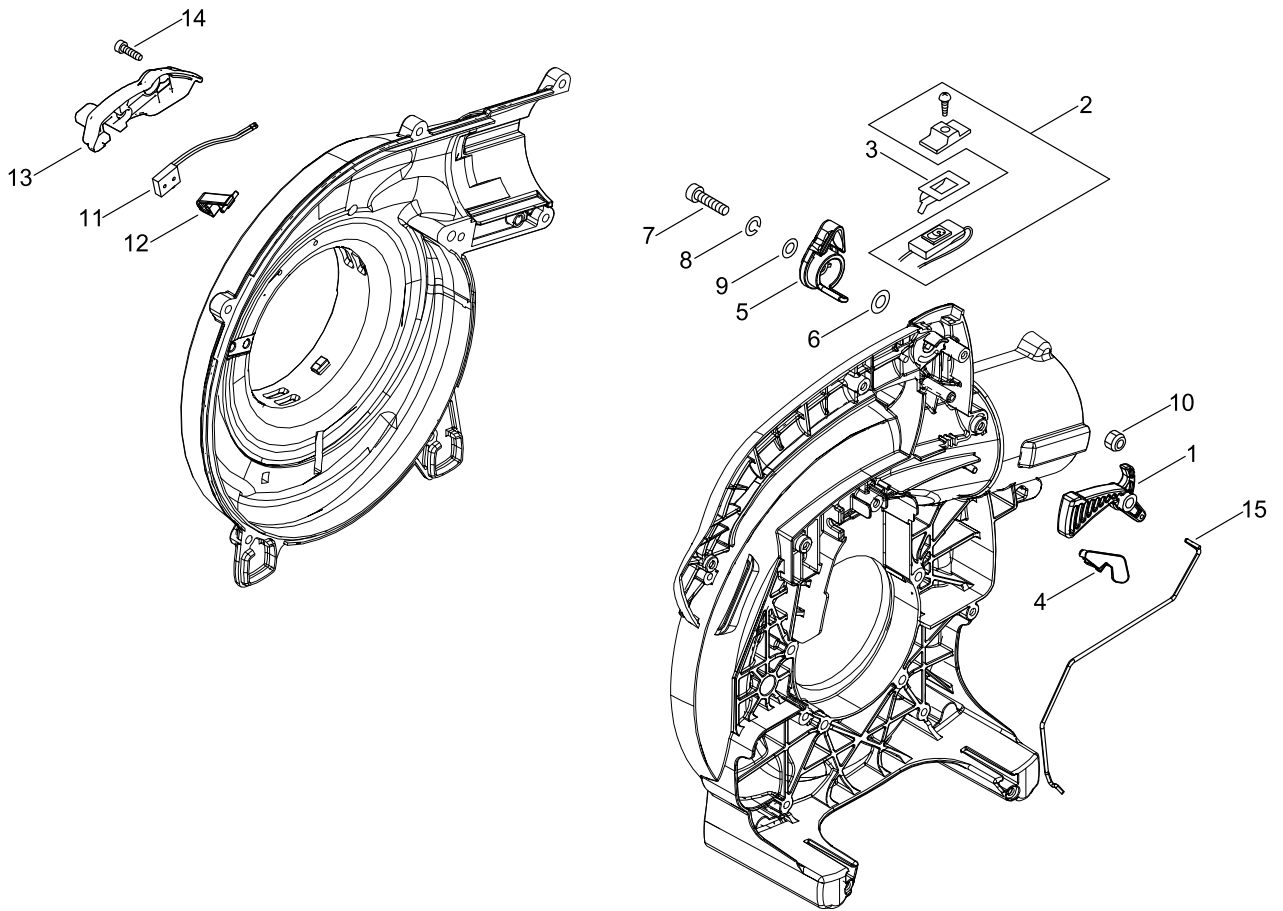
FAN CASE



FAN CASE

KEY NO	LV(+)	Part No	Description	Qty	Standard	Comment
1		E103-000691	CASE,FAN	1		
2		351335-20560	CUSHION	2		
3		V804-000070	BOLT, TORX 4	4	TB-4*20 12.9	
4		E100-000220	FAN,BLOWER	1		
5		100143-19830	WASHER	1	8.2*31*0.8	
6		X413-000010	CUTTER,SHREDDER	1		
7		900105-08015	BOLT, H.S. 8*15	1	8*15	
8		C662-000050	PIECE,LEVER	1	PB-250	
9		E103-000980	CASE,FAN	1		
10		X413-000020	CUTTER,SHREDDER	1		
11		900603-00005	WASHER 5	2	5.5*12*0.8	
12		900562-50005	LOCKNUT 5	2	5	
13		V805-000010	BOLT, TORX 5	7	TT-5*20 DG 10.9	
14		C041-000640	HANDLE,ASM REAR	1		
15		V805-000230	BOLT, TORX 5	2	TT-5*25 DG 10.9	
16		V420-001440	CUSHION	1		
17		E104-000090	GRID, BLOWER	1		
18		V452-000370	SPRING,TORSION	1		
19		V299-000290	KNOB,FASTENER	1	1 KNOB M5X0.8	
20		900720-00003	O-RING P-3	1	P-3	
21		X505-002080	LABEL,CAUTION	1		
22		X547-001830	LABEL,ECHO	1		

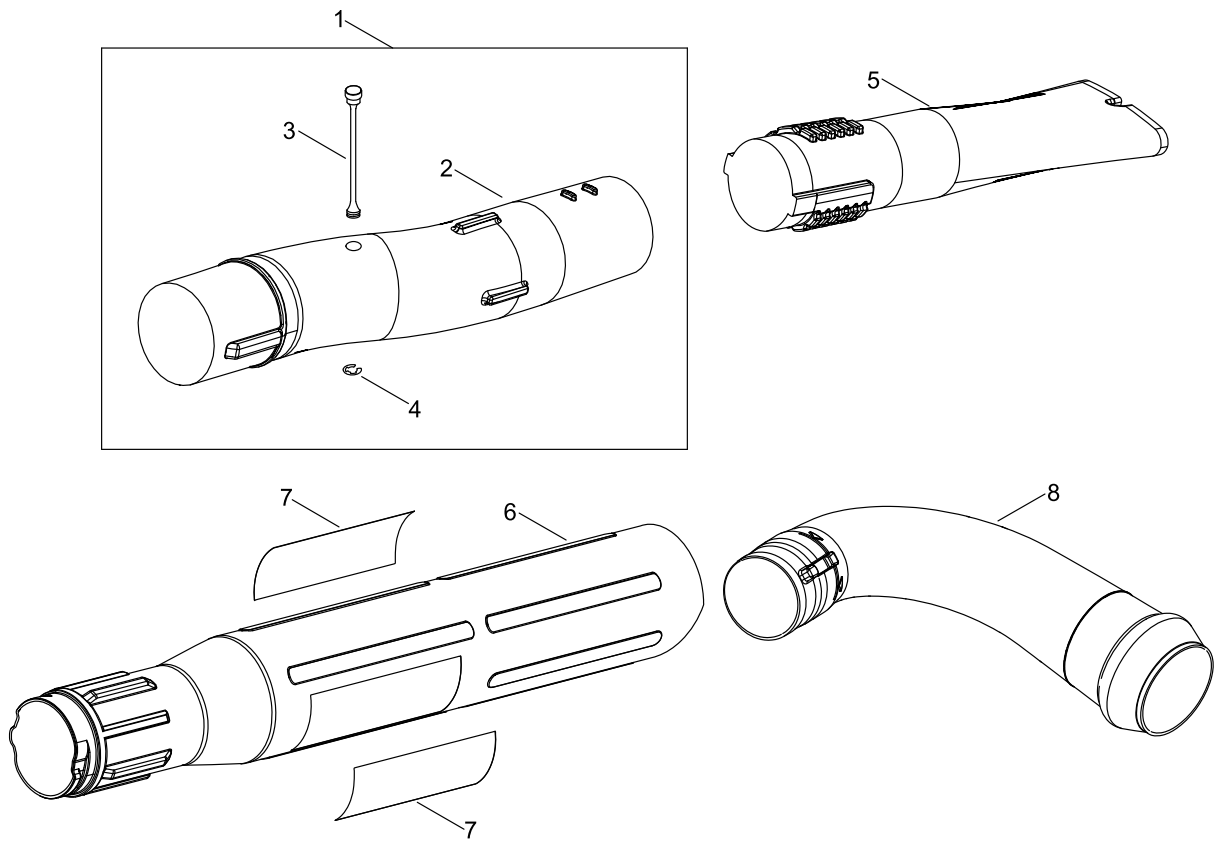
THROTTLE



THROTTLE

KEY NO	LV(+)	Part No	Description	Qty	Standard	Comment
1		C450-000411	CONTROL, THROTTLE	1		
2		P021-045250	SWITCH, ON OFF	1		
3		V486-000150	TERMINAL,LEAD	1		
4		V162-000640	PLUG	1		
5		C453-000300	LEVER,THROTTLE	1		
6		900603-00005	WASHER 5	1	5.5*12*0.8	
7		V805-000220	BOLT, TORX 5	1	TB-5*25 12.9	
8		900605-00005	SPRING WASHER	1	5	
9		900602-00005	WASHER 5	1	5.3*10*1	
10		900562-50005	LOCKNUT 5	1	5	
11		A045-000590	SWITCH, ON OFF	1		
12		A446-000000	LEVER, ACTUATOR	1		
13		A473-000050	LID,SWITCH CASE	1		
14		V804-000010	BOLT, TORX 4	2	TT-4*16 DG 10.9	
15		C454-000190	ROD, THROTTLE	1		

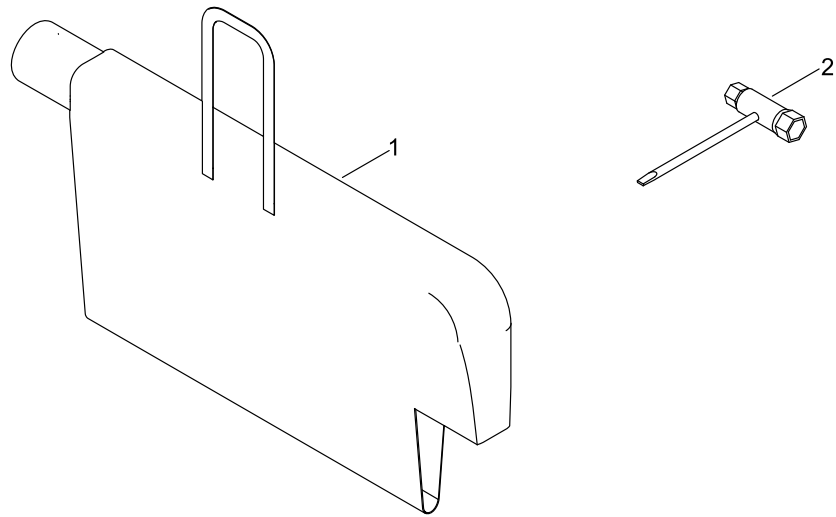
PIPE



PIPE

KEY NO	LV(+)	Part No	Description	Qty	Standard	Comment
1		E165-000381	PIPE,BLOWER	1		
2	+	E165-000391	PIPE,BLOWER	1		
3	+	E178-000050	GUARD,PIPE	1		
4	+	V583-000080	RING	1	CE-5	
5		E165-000191	PIPE,BLOWER	1		
6		E180-000011	PIPE,SUCTION	1		
7		X503-008950	LABEL,MODEL	2		
8		E160-000171	PIPE,MAIN	1		

ACCESSORIES



ACCESSORIES

KEY NO	LV(+)	Part No	Description	Qty	Standard	Comment
1		X692-000120	BAG,DUST	1	ECHO - REAR ZIP	
2		895410-06961	WRENCH, W/S-DRIVER	1	13X19 L135	

NUMERICAL PARTS INDEX

Part No	Part description	Page	Part No	Part description	Page	Part No	Part description	Page
100014-1-1520	SPACER, PISTON PIN	2	131005-2-0561	TANK, FUEL	12	900602-0-0005	WASHER 5	20
100015-0-4630	CIRCLIP, PISTON PIN	2	131016-5-5830	GASKET, FUEL CAP	12	900603-0-0005	WASHER 5	12
100142-1-2330	KEY, WOODRUFF	6	131051-5-6030	CLIP, FUEL CAP	12	900603-0-0005	WASHER 5	14
100143-1-9830	WASHER	18	131205-0-7321	STRAINER, FUEL	12	900603-0-0005	WASHER 5	18
100212-4-2031	OILSEAL	4	132010-4-9730	PIPE 3*6*85	12	900603-0-0005	WASHER 5	20
100242-4-2030	GASKET, CRANKCASE	4	132012-0-4631	PIPE	12	900605-0-0005	SPRING WASHER	20
123110-0-3930	SCREW, PUMP COVER	10	132115-4-6730	GROMMET, FUEL	12	900720-0-0003	O-RING P-3	18
123112-1-5030	DIAPHRAGM, FUEL PUMP	10	152115-0-5530	BUSHING	6	94035-36-201	BEARING BALL	4
123114-3-8830	SCREW	10	156110-0-4920	BUSHING	6	A011-00-0590	CRANKSHAFT,ASY	2
123123-0-3930	LEVER, METERING	10	159011-0-3432	COIL, SPARK PLUG	6	A021-00-1882	CARBURETOR, DIAPHRAGM	8
123125-1-5030	GASKET, FUEL PUMP	10	159012-0-3433	CAP, SPARK PLUG	6	A021-00-1882	CARBURETOR, DIAPHRAGM	10
123126-1-0631	SCREEN, INLET	10	177220-4-2030	SPRING, REWIND	16	A045-00-0590	SWITCH, ON OFF	20
123127-1-5030	RING	10	177227-4-2030	GUIDE, ROPE	16	A051-00-0741	STARTER,RECOIL	16
123133-0-4260	SPRING, IDLE ADJUST	10	177228-2-7030	GRIP, STARTER	16	A052-00-0440	PULLEY,ASM STARTER	16
123137-1-9830	VALVE, INLET NEEDLE	10	177236-6-1830	SCREW	16	A101-00-0140	RING, PISTON	2
123138-0-3930	PIN, METERING LEVER	10	210417-5-2730	BOLT, WING	8	A115-00-0000	WEIGHT,BALANCE	16
123139-0-3930	SCREW, M. LEVER PIN	10	351335-2-0560	CUSHION	18	A130-00-1020	CYLINDER	2
123142-0-5560	COVER, PRIMER PUMP	10	890332-5-2730	LABEL, CHOKE	8	A160-00-1260	COVER,CYLINDER	2
123144-0-2960	SCREW	10	895410-0-6961	WRENCH, W/S-DRIVER	24	A200-00-0370	INSULATOR, INTAKE	8
123146-1-0631	PLUG, WELCH	10	900105-0-8015	BOLT, H.S. 8*15	18	A226-00-1410	ELEMENT,AIR FILTER	8
123181-4-0630	PUMP, PRIMER	10	900162-0-5025	BOLT, H.S. 5*25	2	A300-00-1630	MUFFLER, EXHAUST	14
129011-5-2730	PLATE, PREVENT	8	900162-0-5028	BOLT, H.S. 5*28	4	A310-00-0070	SCREEN, ARRESTOR	14
130313-0-5863	LID, AIR CLEANER	8	900562-5-0005	LOCKNUT 5	18	A313-00-0840	GUIDE, EXHAUST	14
131004-5-5530	CAP ASSY, FUEL TANK	12	900562-5-0005	LOCKNUT 5	20	A313-00-1070	GUIDE, EXHAUST	14

NUMERICAL PARTS INDEX

Part No	Part description	Page	Part No	Part description	Page	Part No	Part description	Page
A313-00-1790	GUIDE, EXHAUST	14	P003-00-1850	DIAPHRAGM, METERING	10	V100-00-0190	GASKET,CYL	2
A356-00-0031	VALVE,CHECK	12	P003-00-3840	GASKET, M. DIAPHRAGM	10	V103-00-0540	GASKET,INTAKE	8
A409-00-1250	ROTOR, MAGNETO	6	P003-00-3850	BODY, AIR PURGE	10	V103-00-0550	GASKET,INTAKE	8
A411-00-0500	COIL, IGNITION	6	P003-00-3860	SPRING	10	V104-00-0941	GASKET,EXHAUST	14
A425-00-0000	SPARKPLUG	6	P003-00-3880	SHAFT ASY, THROTTLE	10	V104-00-0960	GASKET,EXHAUST	14
A446-00-0000	LEVER, ACTUATOR	20	P003-00-3890	SPRING	10	V150-00-2400	PLATE,EYE	4
A473-00-0050	LID,SWITCH CASE	20	P003-00-3900	VALVE, THROTTLE	10	V162-00-0640	PLUG	20
C041-00-0640	HANDLE,ASM REAR	18	P003-00-3910	THROTTLE, LEVER	10	V203-00-0190	BOLT,5	14
C450-00-0411	CONTROL, THROTTLE	20	P003-00-4010	NEEDLE	10	V299-00-0290	KNOB,FASTENER	18
C453-00-0300	LEVER,THROTTLE	20	P003-00-4020	NEEDLE	10	V376-00-1750	SPACER	16
C454-00-0190	ROD, THROTTLE	20	P003-00-4880	COVER, FUEL PUMP	10	V420-00-1440	CUSHION	18
C662-00-0050	PIECE,LEVER	18	P021-00-4480	CASE, AIR CLEANER	8	V452-00-0370	SPRING,TORSION	18
E100-00-0220	FAN,BLOWER	18	P021-00-8231	CRANKCASE KIT	4	V471-00-2170	PIPE	12
E101-00-0122	HUB,FAN	6	P021-01-7410	PISTON KIT	2	V475-00-6820	TUBE	6
E103-00-0691	CASE,FAN	18	P021-04-5250	SWITCH, ON OFF	20	V485-00-2210	LEAD	6
E103-00-0980	CASE,FAN	18	P021-04-9230	ENGINE COVER ASY	2	V485-00-2220	LEAD	6
E104-00-0090	GRID, BLOWER	18	P022-00-6510	SPRING, RETURN	16	V486-00-0150	TERMINAL,LEAD	20
E160-00-0171	PIPE,MAIN	22	P022-00-8260	ROPE	16	V490-00-1240	CLIP	12
E165-00-0191	PIPE,BLOWER	22	P022-00-8270	SPRING,DAMPER	16	V583-00-0080	RING	22
E165-00-0381	PIPE,BLOWER	22	P022-02-0030	PAWL, STARTER	16	V606-00-0000	PIN,ENG 8	2
E165-00-0391	PIPE,BLOWER	22	P022-02-7980	DRUM, STARTER	16	V804-00-0010	BOLT, TORX 4	20
E178-00-0050	GUARD,PIPE	22	P022-02-8000	PLATE, CAM	16	V804-00-0030	BOLT, TORX 4	14
E180-00-0011	PIPE,SUCTION	22	P022-03-7670	STOPPER, ROPE	16	V804-00-0060	BOLT, TORX 4	16
P003-00-1400	SCREW, IDLE ADJUST	10	P022-03-7720	STATER CASE	16	V804-00-0070	BOLT, TORX 4	6

NUMERICAL PARTS INDEX

Part No	Part description	Page
V804-00-0070	BOLT, TORX 4	18
V805-00-0010	BOLT, TORX 5	2
V805-00-0010	BOLT, TORX 5	18
V805-00-0100	BOLT, TORX 5	8
V805-00-0120	BOLT, TORX 5	2
V805-00-0120	BOLT, TORX 5	4
V805-00-0150	BOLT, TORX 5	12
V805-00-0220	BOLT, TORX 5	8
V805-00-0220	BOLT, TORX 5	20
V805-00-0230	BOLT, TORX 5	18
X413-00-0010	CUTTER,SHREDDER	18
X413-00-0020	CUTTER,SHREDDER	18
X502-00-0330	LABEL,ECHO	16
X503-00-8950	LABEL,MODEL	22
X505-00-2080	LABEL,CAUTION	18
X505-00-2310	LABEL,CAUTION	2
X547-00-1830	LABEL,ECHO	18
X692-00-0120	BAG,DUST	24