

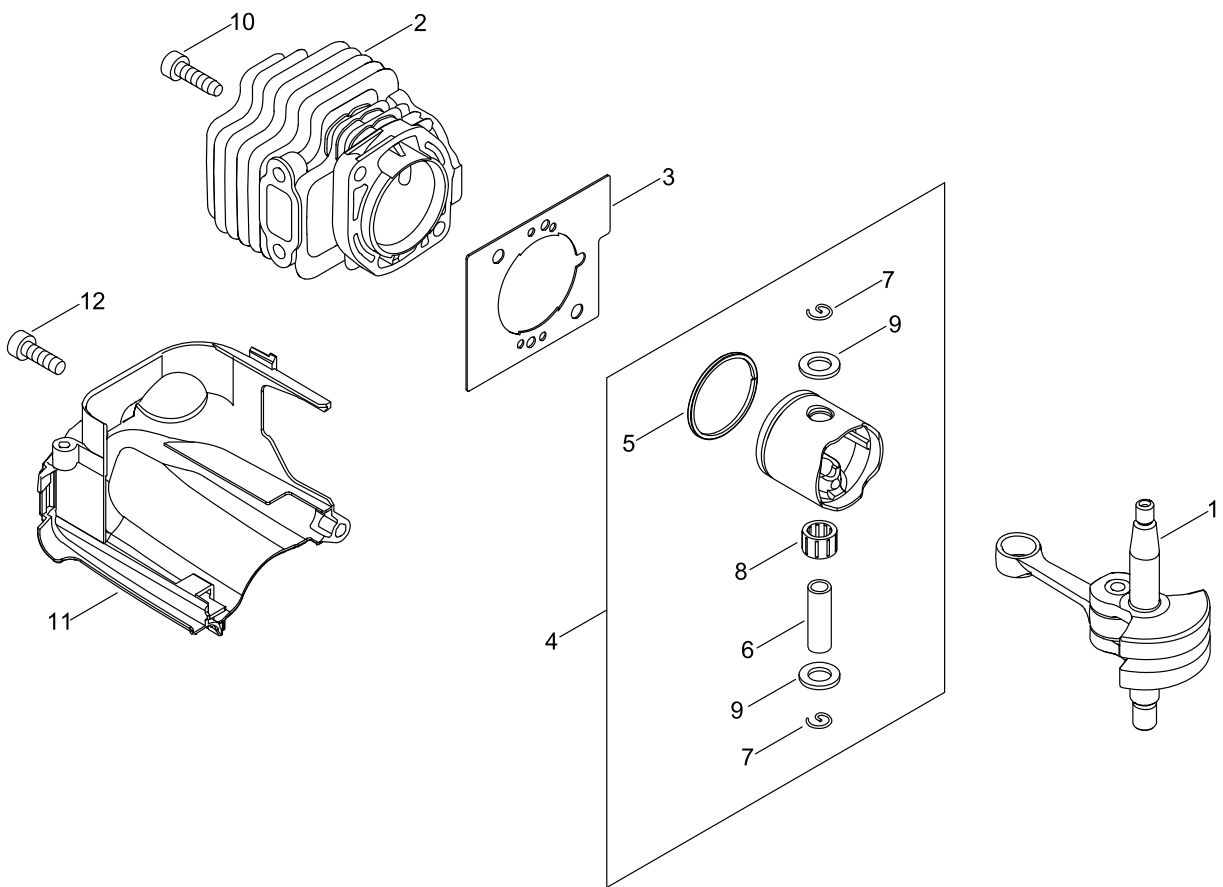
DH185ST

Published:03/30/2018

TABLE OF CONTENTS

CYLINDER, PISTON, CRANKSHAFT.....	1
CRANKCASE	3
MAGNETO.....	5
AIR CLEANER, CARBURETOR.....	7
CARBURETOR.....	9
FUEL TANK.....	11
MUFFLER	13
RECOIL STARTER.....	15
GEAR CASE.....	17
CUTTING BLADE.....	19
HANDLE.....	21
ACCESSORIES	23

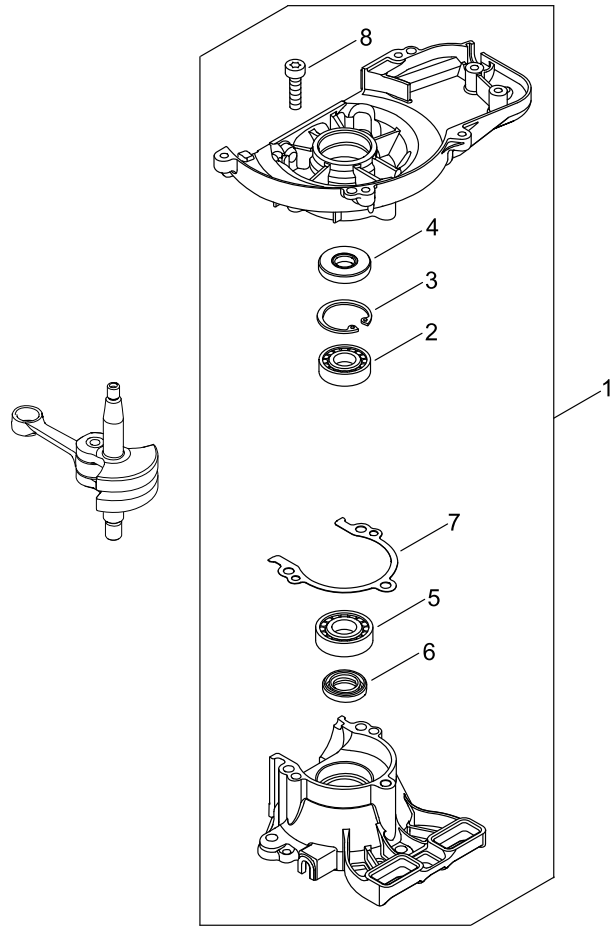
CYLINDER, PISTON, CRANKSHAFT



CYLINDER, PISTON, CRANKSHAFT

KEY NO	LV(+)	Part No	Description	Qty	Standard	Comment
1		A011-001360	CRANKSHAFT,ASY	1		
2		A130-001960	CYLINDER	1		
3		V100-000720	GASKET,CYL	1		
4		P021-037930	PISTON KIT	1		
5	+	A101-000090	RING,PISTON	1		
6	+	V606-000020	PIN,ENG 8	1	5.8*8*25.5	
7	+	100015-04630	CIRCLIP, PISTON PIN	2		
8	+	100113-05930	BEARING, NEEDLE	1	8*12*8	
9	+	100014-08960	SPACER, PISTON PIN	2		
10		V805-000210	BOLT, TORX 5	2	TB-5*20 12.9	
11		A160-003200	COVER,CYLINDER	1		
12		V805-000150	BOLT, TORX 5	1	TB-5*16 10.9	

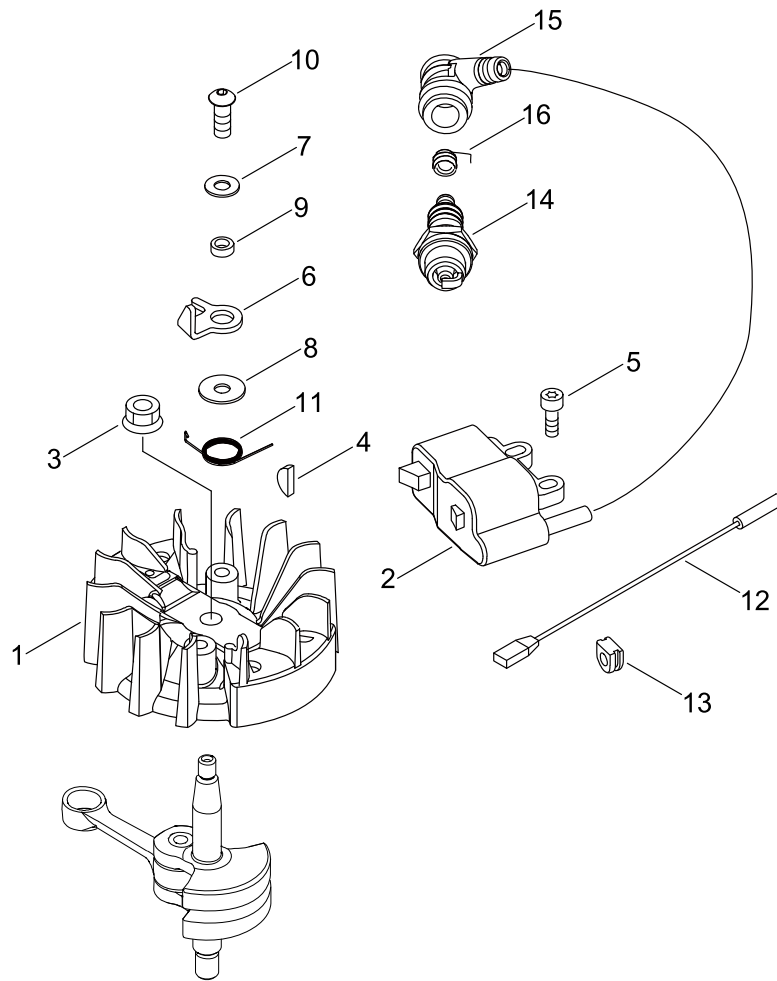
CRANKCASE



CRANKCASE

KEY NO	LV(+)	Part No	Description	Qty	Standard	Comment
1		P021-046110	CRANKCASE SET	1		
2	+	900810-36000	BEARING, BALL	1		
3	+	900702-00026	CIRCLIP 26	1	CR-26	
4	+	100213-61830	OILSEAL	1	ISCD 10*26*5	
5	+	900810-36000	BEARING, BALL	1		
6	+	100212-61830	OILSEAL	1	ISCD 10*20*5	
7	+	V102-000240	GASKET,CRANKCASE	1		
8	+	V805-000220	BOLT, TORX 5	3	TB-5*25 12.9	

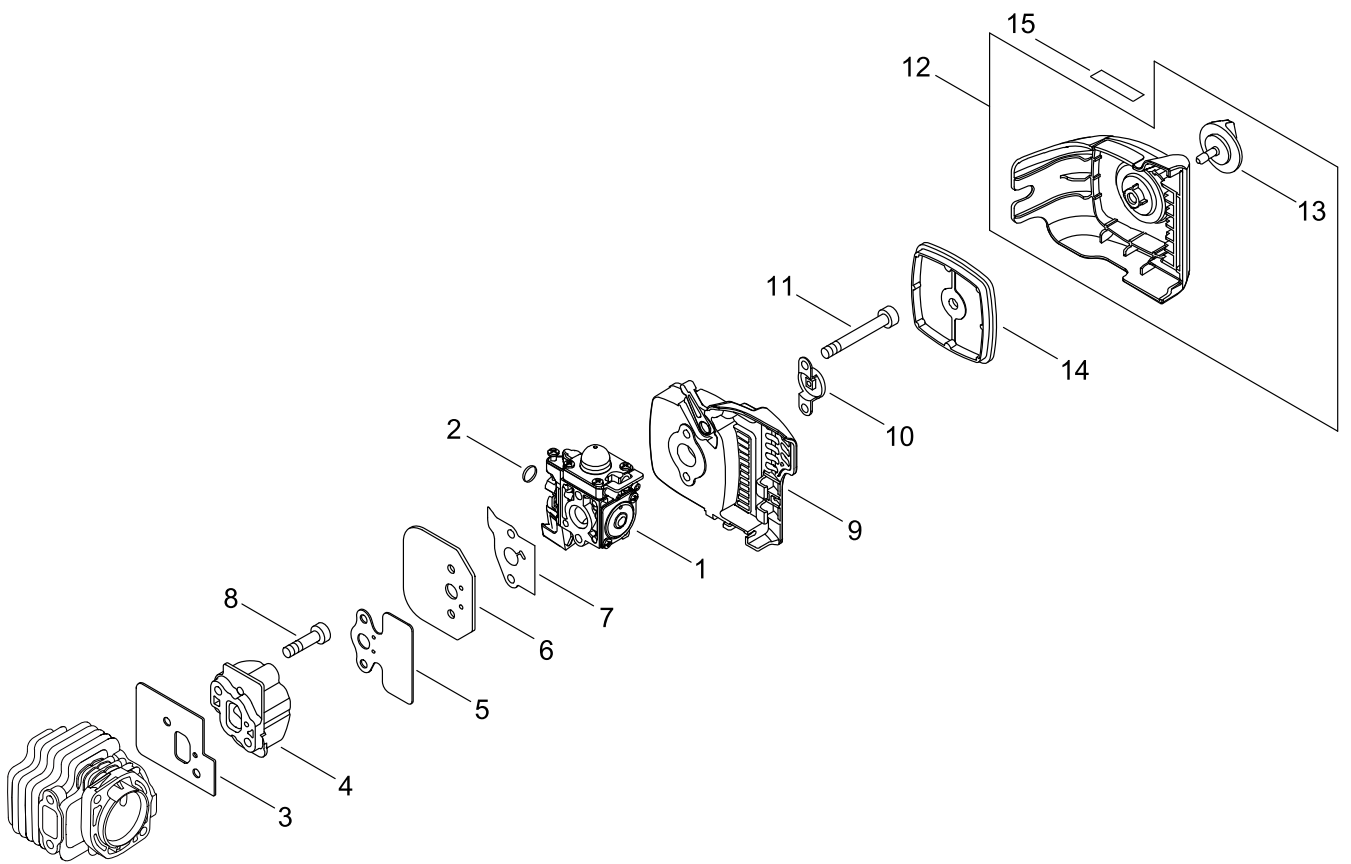
MAGNETO



MAGNETO

KEY NO	LV(+)	Part No	Description	Qty	Standard	Comment
1		A409-001120	ROTOR, MAGNETO	1		
2		A411-001490	COIL, IGNITION	1		
3		92105-06000	NUT, FLANGE	1	M6*1.0 L	
4		100142-12330	KEY, WOODRUFF	1		
5		V804-000060	BOLT, TORX 4	2	TB-4*16 10.9	
6		A514-000260	PAWL	2		
7		900603-00005	WASHER 5	2	5.5*12*0.8	
8		131911-03460	WASHER	2		
9		178070-10860	SPACER	2		
10		V203-000080	BOLT,5	2	5*14	
11		V452-001370	SPRING,TORSION	2		
12		V485-001220	LEAD	1	L:85	
13		V135-000150	GROMMET,HT CORD	1		
14		A425-000000	SPARKPLUG	1	BPMR8Y	
15		A427-000013	CAP,SPARK PLUG	1		
16		A426-000010	TERMINAL,SPARKPLUG	1		

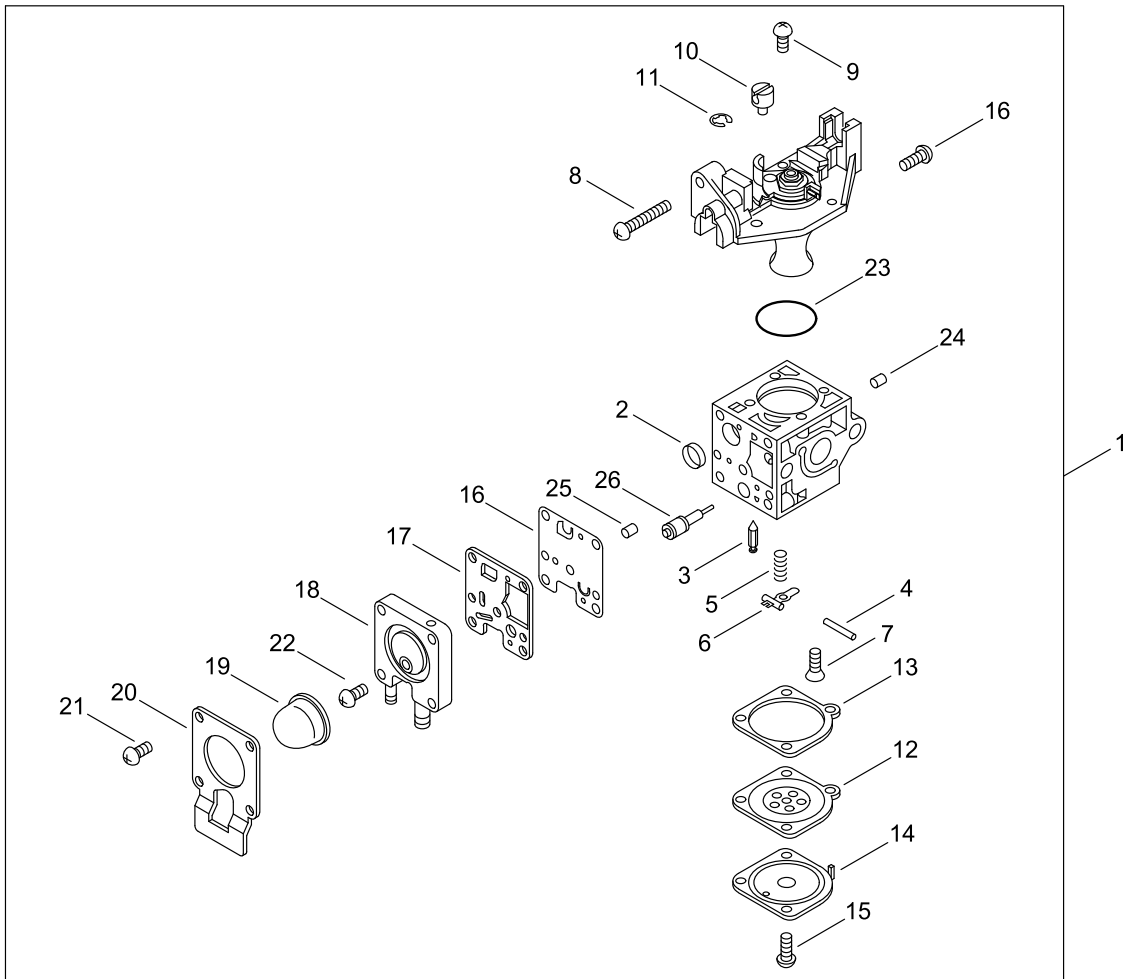
AIR CLEANER, CARBURETOR



AIR CLEANER, CARBURETOR

KEY NO	LV(+)	Part No	Description	Qty	Standard	Comment
1		A021-004231	CARBURETOR, DIAPHRAGM	1	RB-K119	
2		V490-001100	CLIP	1		
3		V103-001401	GASKET,INTAKE	1		
4		A200-000941	INSULATOR, INTAKE	1		
5		V103-001730	GASKET,INTAKE	1	T:1.0	
6		A209-000610	PLATE, INSULATOR	1		
7		V103-001740	GASKET,INTAKE	1		
8		V805-000170	BOLT, TORX 5	2	TB-5*25 10.9	
9		P021-041570	AIR CLEANER ASY	1		
10		A244-000070	PLATE,PREVENT	1		
11		V805-000100	BOLT, TORX 5	2	TB-5*65 10.9	
12		P021-050320	CLEANER LID ASY	1		
13	+	V299-000410	KNOB	1		
14		A226-001410	ELEMENT,AIR FILTER	1		
15		890332-52730	LABEL, CHOKE	1		

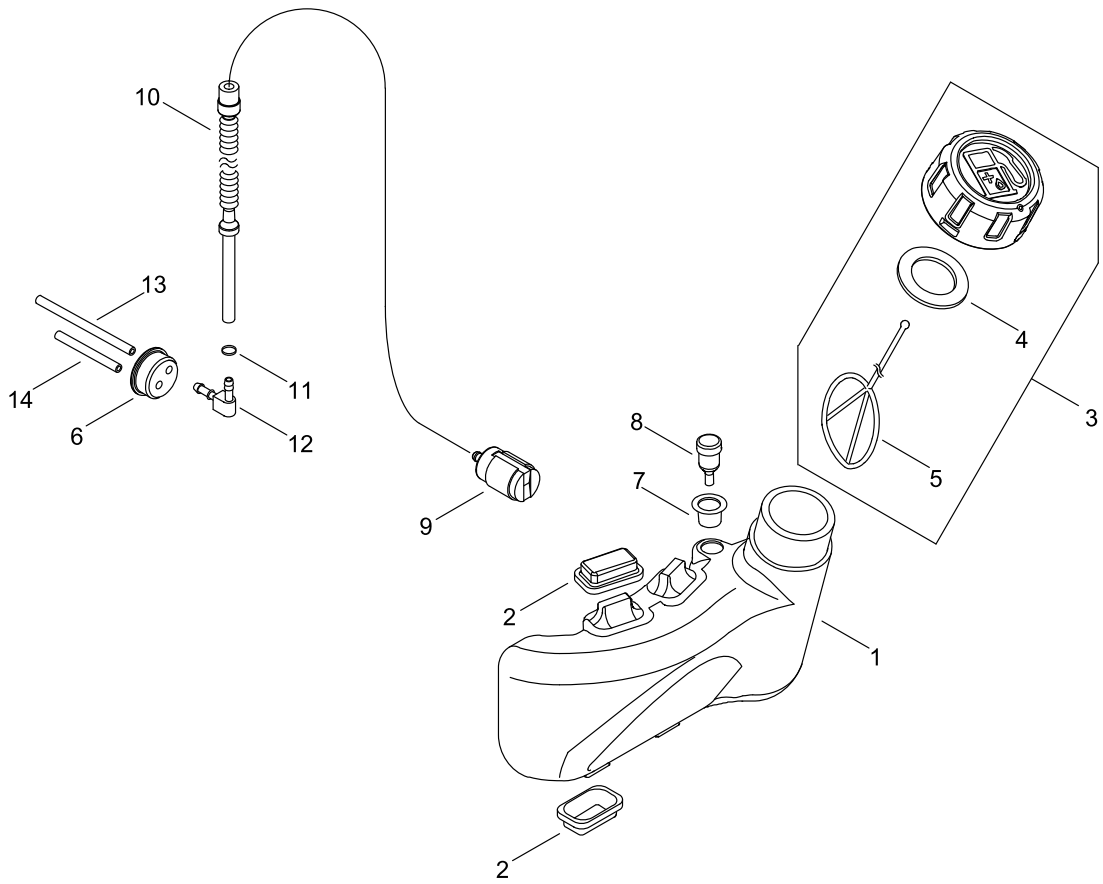
CARBURETOR



CARBURETOR

KEY NO	LV(+)	Part No	Description	Qty	Standard	Comment
1		A021-004231	CARBURETOR, DIAPHRAGM	1	RB-K119	
2	+	P005-000010	STRAINER	1		
3	+	125337-08260	VALVE, INLET NEEDLE	1		
4	+	125338-13930	PIN, METERING ARM	1		
5	+	P005-000940	SPRING, METER. LEVER	1		
6	+	125323-08260	ARM, VALVE	1		
7	+	125339-42030	SCREW	1		
8	+	P005-000100	SCREW, THROTTLEADJUST	1		
9	+	125344-13931	SCREW	3		
10	+	P005-002200	POST	1		
11	+	P005-000190	E-RING	1		
12	+	P005-002230	DIAPHRAGM ,METERING	1		
13	+	P005-000200	GASKET, METERING	1		
14	+	125342-52130	COVER, DIAPHRAGM	1		
15	+	125344-52130	SCREW	3		
16	+	P005-000510	DIAPHRAGM, PUMP	1		
17	+	P005-000520	GASKET, PUMP	1		
18	+	P005-001890	BASE, ASY PRIMER	1		
19	+	P005-003110	PUMP, PRIMER	1		
20	+	P005-000250	RETAINER	1		
21	+	P005-001900	SCREW	4		
22	+	P005-000270	SCREW	1		
23	+	P005-000280	O-RING	1		
24	+	P005-001000	ROLLER, GUIDE	1		
25	+	P005-001250	RETAINER,PLUG BALL	1		
26	+	P005-001260	SCREW,MAINN MIXTURE	1		

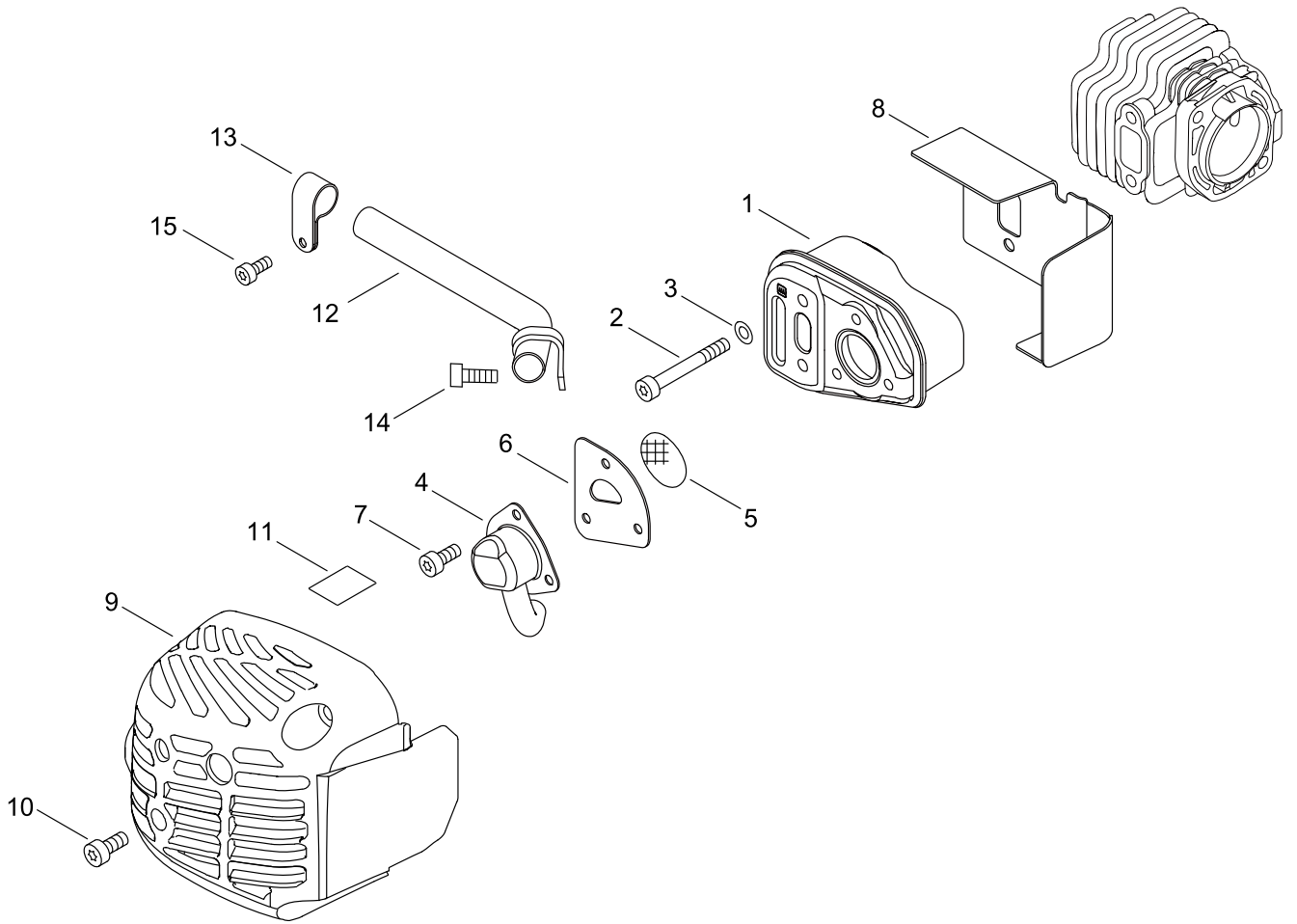
FUEL TANK



FUEL TANK

KEY NO	LV(+)	Part No	Description	Qty	Standard	Comment
1		A350-001880	TANK, FUEL	1		
2		V420-004490	CUSHION	4		
3		P021-045610	FUEL CAP ASY	1		
4	+	131016-55830	GASKET, FUEL CAP	1		
5	+	A365-000060	CONNECTOR,CAP	1	L=123	
6		132115-44330	GROMMET	1		
7		V137-000000	GROMMET,FUEL	1		
8		A356-000031	VALVE,CHECK	1		
9		A369-000480	STRAINER, FUEL	1	125-959	
10		V471-003510	PIPE	1	L=125	
11		V490-000500	CLIP	1		
12		V186-000270	JOINT,PIPE	1		
13		V471-003500	PIPE	1	L=92	
14		132010-49730	PIPE 3*6*85	1	3*6*85 YL	

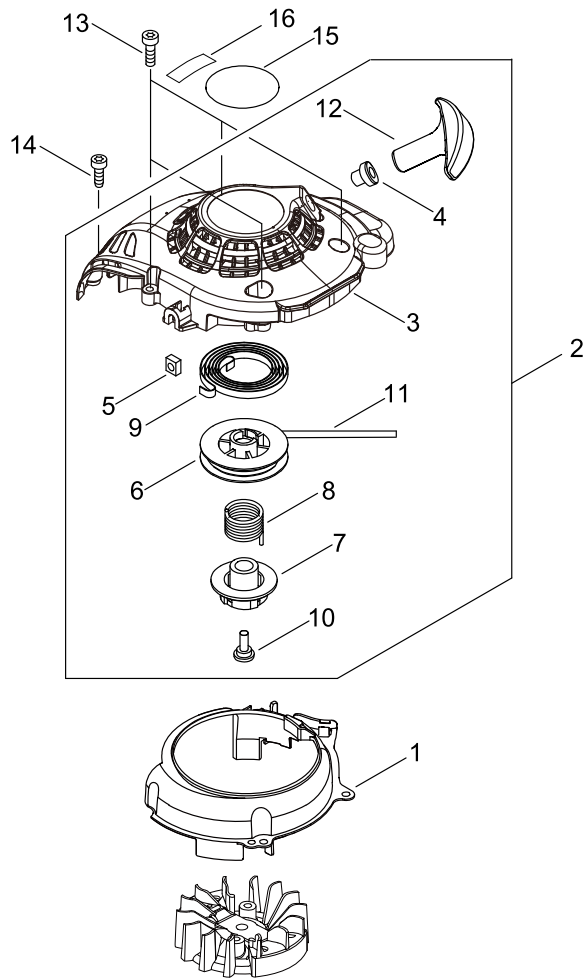
MUFFLER



MUFFLER

KEY NO	LV(+)	Part No	Description	Qty	Standard	Comment
1		A300-001860	MUFFLER, EXHAUST	1		
2		V805-000190	BOLT, TORX 5	2	TB-5*55 12.9	
3		900603-00005	WASHER 5	2	5.5*12*0.8	
4		A313-001990	GUIDE, EXHAUST	1	ID#2170	
5		A310-000470	SCREEN, ARRESTOR	1		
6		V104-002180	GASKET,EXHAUST	1		
7		V804-000030	BOLT, TORX 4	3	TB-4*8 10.9	
8		V104-002190	GASKET,EXHAUST	1		
9		A320-001170	COVER,MUFFLER	1		
10		V805-000320	BOLT, TORX 5	2	TB-5*16 10.9	
11		X505-002310	LABEL,CAUTION	1	HOT CAUTION	
12		A313-002000	GUIDE, EXHAUST	1		
13		A319-000510	STAY, MUFFLER	1		
14		V805-000130	BOLT, TORX 5	1	TB-5*10 10.9	
15		V804-000040	BOLT, TORX 4	1	TB-4*10 10.9	

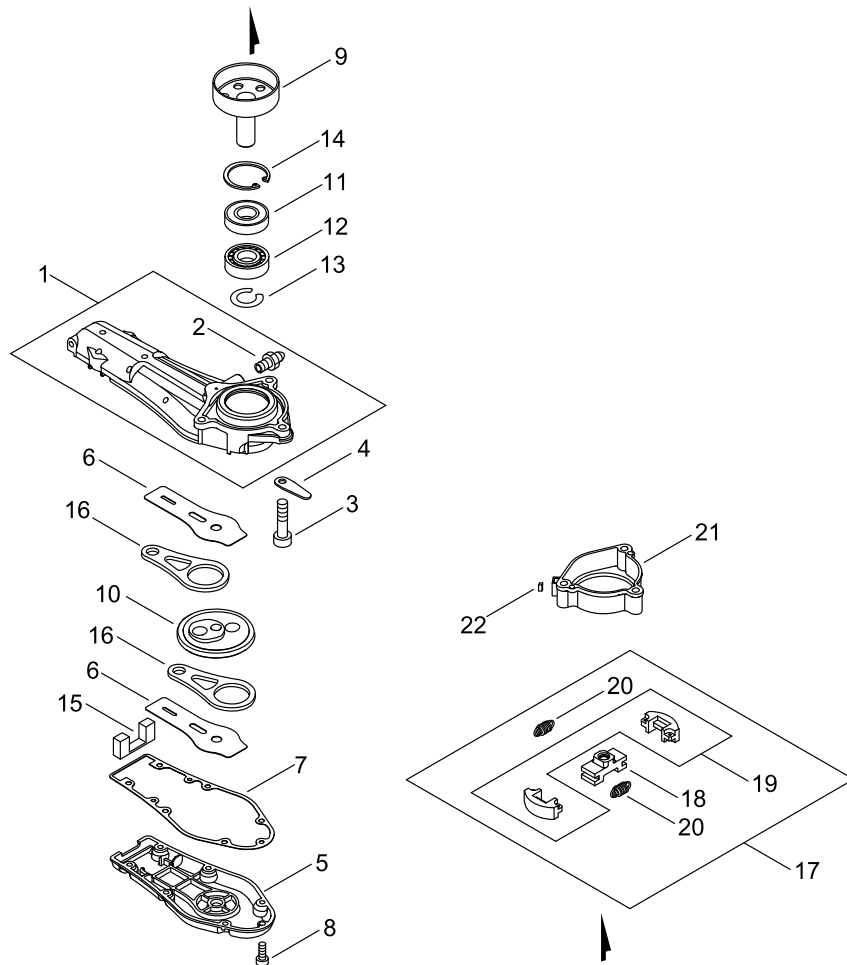
RECOIL STARTER



RECOIL STARTER

KEY NO	LV(+)	Part No	Description	Qty	Standard	Comment
1		A172-002610	COVER,FAN	1		
2		A051-002383	STARTER,RECOIL	1		
3	+	P022-039960	CASE, STARTER	1		
4	+	177227-42030	GUIDE, ROPE	1		
5	+	900565-00005	NUT	1	5	
6	+	P022-027980	DRUM, STARTER	1		
7	+	P022-037310	PLATE, CAM	1		
8	+	P022-008270	SPRING,DAMPER	1		
9	+	177220-42030	SPRING, REWIND	1		
10	+	177236-61830	SCREW	1		
11	+	P022-006800	ROPE, STARTER	1	3.0*880	
12	+	177228-44330	GRIP, STARTER	1		
13		V804-000060	BOLT, TORX 4	4	TB-4*16 10.9	
14		V804-000010	BOLT, TORX 4	1	TT-4*16 DG 10.9	
15		X504-007680	LABEL,BRAND	1	SHINDAIWA 47	
16		X543-004710	LABEL,MODEL	1	DH185ST	

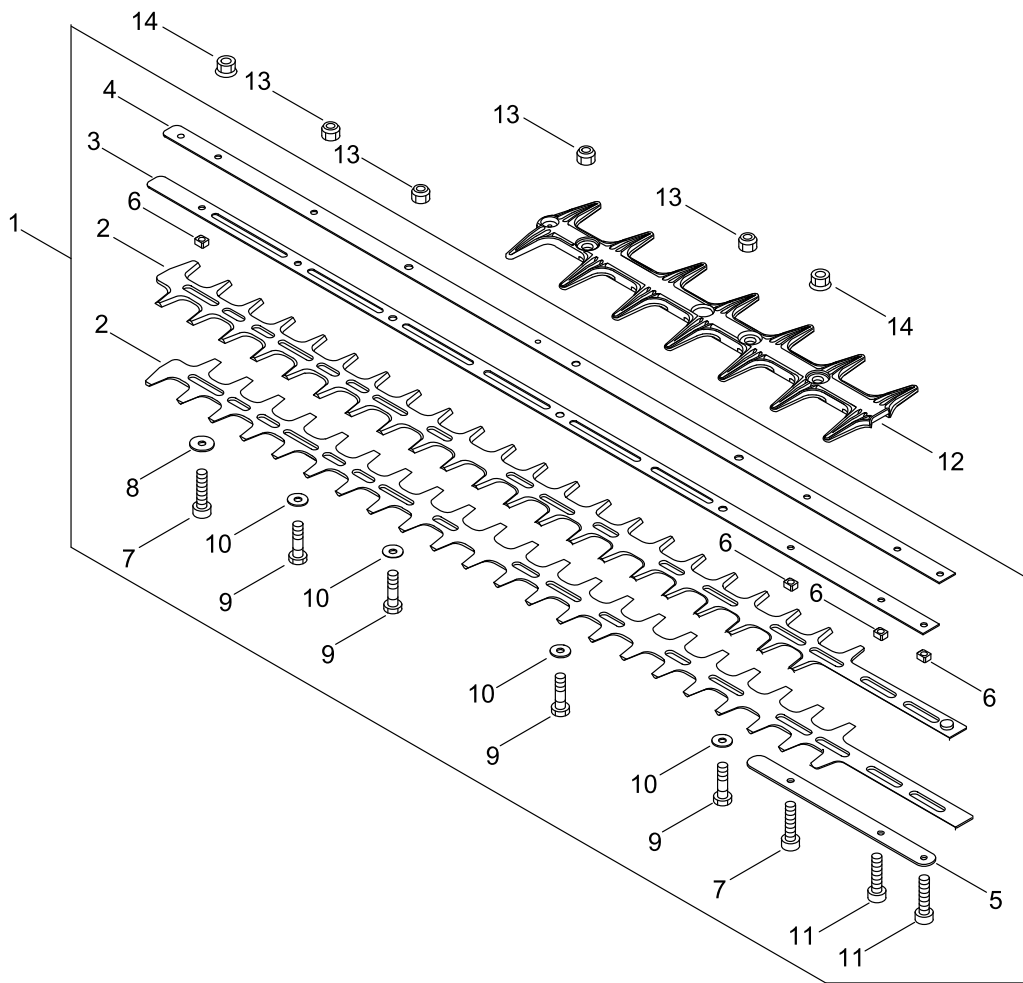
GEAR CASE



GEAR CASE

KEY NO	LV(+)	Part No	Description	Qty	Standard	Comment
1		P021-013070	CASE,GEAR	1		
2	+	880110-10860	NIPPLE, GREASE	1		
3		V806-000140	BOLT, TORX 6	3	TB-6*45 12.9	
4		C628-000160	PIECE, PLATE	1		
5		C539-000021	LID,GEARCASE	1		
6		V150-001810	PLATE,EYE	2	T0.5	
7		V110-000060	GASKET,GEAR CASE	1	T0.3	
8		V804-000060	BOLT, TORX 4	6	TB-4*16 10.9	
9		A556-001630	DRUM, CLUTCH	1	50 T:1.4	
10		V650-000300	GEAR,SPUR	1	46T	
11		900812-06202	BEARING, BALL 6202	1	6202DDU(LLU)	
12		900810-36202	BEARING, BALL 6202	1	6202/C3	
13		900701-00014	CIRCLIP 14	1	CS-14	
14		900702-00035	CIRCLIP 35	1	CR-35	
15		V541-000140	SEAL	1		
16		C532-000170	ROD, CONNECTING	2		
17		A056-000750	CLUTCH ASY	1		
18	+	A552-000400	HUB, CLUTCH	1		
19	+	P021-046120	CLUTCH SHOE SET	1		
20	+	A566-000000	SPRING, CLUTCH	2		
21		A570-000320	CASE,CLUTCH	1		
22		900565-00005	NUT	1	5	

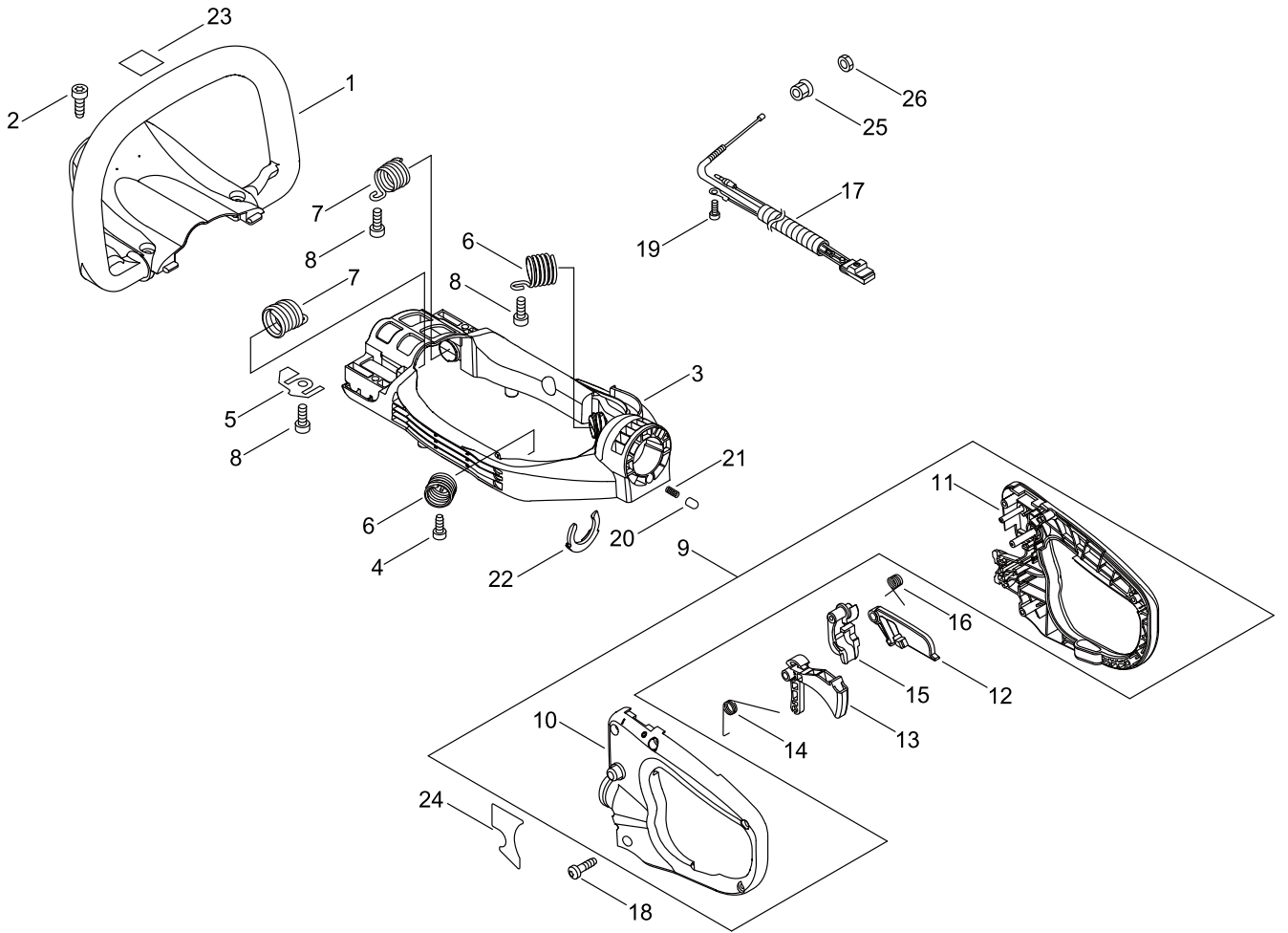
CUTTING BLADE



CUTTING BLADE

KEY NO	LV(+)	Part No	Description	Qty	Standard	Comment
1		P100-002720	CUTTER,ASM	1		
2	+	X412-000650	CUTTER	2		
3	+	X425-000850	SUPPORT,CUTTER	1		
4	+	X425-000910	SUPPORT,CUTTER	1		
5	+	V150-001800	PLATE,EYE	1	T2.0	
6	+	V353-000250	COLLAR	4	9*7.45*5.3	
7	+	V805-000170	BOLT, TORX 5	2	TB-5*25 10.9	
8	+	177214-21860	WASHER	1	5.2*16*1.6T	
9	+	V204-000510	BOLT	4		
10	+	V304-000240	WASHER	4		
11	+	V805-000220	BOLT, TORX 5	2	TB-5*25 12.9	
12		X431-000210	BLUNT	1		
13		433022-06460	NUT	4		
14		92108-05000	NUT, FLANGE	2		

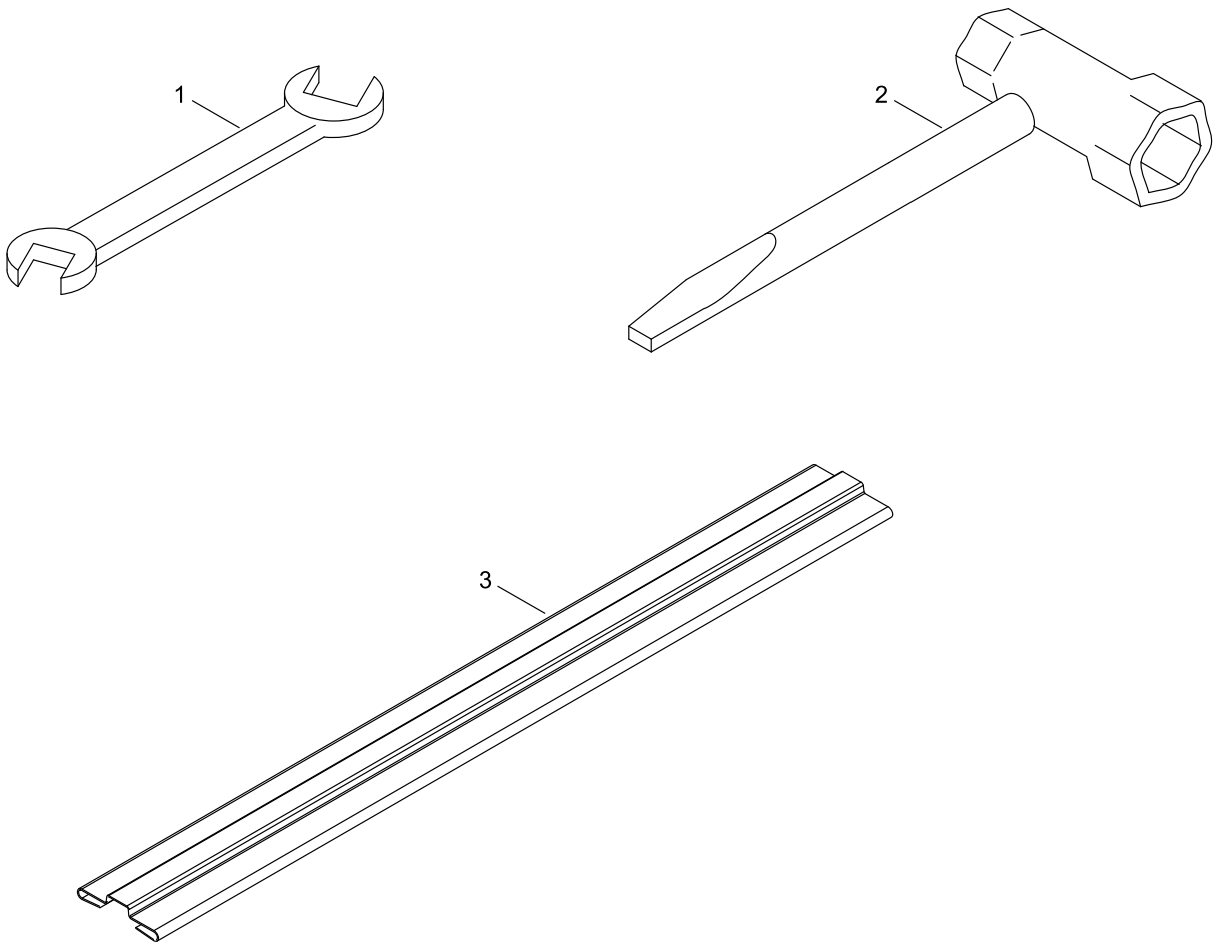
HANDLE



HANDLE

KEY NO	LV(+)	Part No	Description	Qty	Standard	Comment
1		C400-000480	HANDLE, FRONT	1		
2		V805-000010	BOLT, TORX 5	2	TT-5*20 DG 10.9	
3		C600-001590	FRAME	1		
4		V805-000240	BOLT, TORX 5	2	TT-5*12 DG 10.9	
5		V150-003890	PLATE,EYE	1		
6		V450-001910	SPRING,COMPRESSION	2		
7		V450-001920	SPRING,COMPRESSION	2		
8		V805-000150	BOLT, TORX 5	4	TB-5*16 10.9	
9		P021-050350	REAR HANDLE SET	1		
10	+	P021-050340	REAR HANDLE ASY	1		
11	+	C410-001350	HANDLE,REAR	1		
12		C460-000580	LOCKOUT,THROTTLE	1		
13		C450-000960	TRIGGER,THROTTLE	1		
14		V452-000300	SPRING,TORSION	1		
15		C427-000020	STOPPER, HANDLE	1		
16		V452-000310	SPRING,TORSION	1		
17		P021-050360	SWITCH,ON OFF	1		
18		V804-000010	BOLT, TORX 4	5	TT-4*16 DG 10.9	
19		V804-000040	BOLT, TORX 4	1	TB-4*10 10.9	
20		605611-13360	PIN	1		
21		V450-000630	SPRING,COMPRESSION	1	5.1/3.5	
22		C423-000980	FIXTURE, HANDLE	1		
23		X505-002030	LABEL,CAUTION	1	37*35	
24		X532-000740	LABEL,OPERATION	1		
25		900515-00006	NUT, FLANGE 6	1	6	
26		900502-00006	NUT 6 (3N)	1	3N6	

ACCESSORIES



ACCESSORIES

KEY NO	LV(+)	Part No	Description	Qty	Standard	Comment
1		895112-00330	SPANNER 8*10	1		
2		895410-03930	WRENCH, W/S. DRIVER	1		
3		X495-000660	SCABBARD, BLADE	1	L808 30IN	

NUMERICAL PARTS INDEX

Part No	Part description	Page	Part No	Part description	Page	Part No	Part description	Page
100014-0-8960	SPACER, PISTON PIN	2	605611-1-3360	PIN	22	A101-00-0090	RING,PISTON	2
100015-0-4630	CIRCLIP, PISTON PIN	2	880110-1-0860	NIPPLE, GREASE	18	A130-00-1960	CYLINDER	2
100113-0-5930	BEARING, NEEDLE	2	890332-5-2730	LABEL, CHOKE	8	A160-00-3200	COVER,CYLINDER	2
100142-1-2330	KEY, WOODRUFF	6	895112-0-0330	SPANNER 8*10	24	A172-00-2610	COVER,FAN	16
100212-6-1830	OILSEAL	4	895410-0-3930	WRENCH, W/S. DRIVER	24	A200-00-0941	INSULATOR, INTAKE	8
100213-6-1830	OILSEAL	4	900502-0-0006	NUT 6 (3N)	22	A209-00-0610	PLATE, INSULATOR	8
125323-0-8260	ARM, VALVE	10	900515-0-0006	NUT, FLANGE 6	22	A226-00-1410	ELEMENT,AIR FILTER	8
125337-0-8260	VALVE, INLET NEEDLE	10	900565-0-0005	NUT	16	A244-00-0070	PLATE,PREVENT	8
125338-1-3930	PIN, METERING ARM	10	900565-0-0005	NUT	18	A300-00-1860	MUFFLER, EXHAUST	14
125339-4-2030	SCREW	10	900603-0-0005	WASHER 5	6	A310-00-0470	SCREEN, ARRESTOR	14
125342-5-2130	COVER, DIAPHRAGM	10	900603-0-0005	WASHER 5	14	A313-00-1990	GUIDE, EXHAUST	14
125344-1-3931	SCREW	10	900701-0-0014	CIRCLIP 14	18	A313-00-2000	GUIDE, EXHAUST	14
125344-5-2130	SCREW	10	900702-0-0026	CIRCLIP 26	4	A319-00-0510	STAY, MUFFLER	14
131016-5-5830	GASKET, FUEL CAP	12	900702-0-0035	CIRCLIP 35	18	A320-00-1170	COVER,MUFFLER	14
131911-0-3460	WASHER	6	900810-3-6000	BEARING, BALL	4	A350-00-1880	TANK, FUEL	12
132010-4-9730	PIPE 3*6*85	12	900810-3-6202	BEARING, BALL 6202	18	A356-00-0031	VALVE,CHECK	12
132115-4-4330	GROMMET	12	900812-0-6202	BEARING, BALL 6202	18	A365-00-0060	CONNECTOR,CAP	12
177214-2-1860	WASHER	20	92105-06-000	NUT, FLANGE	6	A369-00-0480	STRAINER, FUEL	12
177220-4-2030	SPRING, REWIND	16	92108-05-000	NUT, FLANGE	20	A409-00-1120	ROTOR, MAGNETO	6
177227-4-2030	GUIDE, ROPE	16	A011-00-1360	CRANKSHAFT,ASY	2	A411-00-1490	COIL, IGNITION	6
177228-4-4330	GRIP, STARTER	16	A021-00-4231	CARBURETOR, DIAPHRAGM	8	A425-00-0000	SPARKPLUG	6
177236-6-1830	SCREW	16	A021-00-4231	CARBURETOR, DIAPHRAGM	10	A426-00-0010	TERMINAL, SPARKPLUG	6
178070-1-0860	SPACER	6	A051-00-2383	STARTER,RECOIL	16	A427-00-0013	CAP,SPARK PLUG	6
433022-0-6460	NUT	20	A056-00-0750	CLUTCH ASY	18	A514-00-0260	PAWL	6

NUMERICAL PARTS INDEX

Part No	Part description	Page	Part No	Part description	Page	Part No	Part description	Page
A552-00-0400	HUB, CLUTCH	18	P005-00-1000	ROLLER, GUIDE	10	V100-00-0720	GASKET,CYL	2
A556-00-1630	DRUM, CLUTCH	18	P005-00-1250	RETAINER,PLUG BALL	10	V102-00-0240	GASKET, CRANKCASE	4
A566-00-0000	SPRING, CLUTCH	18	P005-00-1260	SCREW,MAINN MIXTURE	10	V103-00-1401	GASKET,INTAKE	8
A570-00-0320	CASE,CLUTCH	18	P005-00-1890	BASE, ASY PRIMER	10	V103-00-1730	GASKET,INTAKE	8
C400-00-0480	HANDLE, FRONT	22	P005-00-1900	SCREW	10	V103-00-1740	GASKET,INTAKE	8
C410-00-1350	HANDLE,REAR	22	P005-00-2200	POST	10	V104-00-2180	GASKET,EXHAUST	14
C423-00-0980	FIXTURE, HANDLE	22	P005-00-2230	DIAPHRAGM , METERING	10	V104-00-2190	GASKET,EXHAUST	14
C427-00-0020	STOPPER, HANDLE	22	P005-00-3110	PUMP, PRIMER	10	V110-00-0060	GASKET,GEAR CASE	18
C450-00-0960	TRIGGER, THROTTLE	22	P021-01-3070	CASE,GEAR	18	V135-00-0150	GROMMET,HT CORD	6
C460-00-0580	LOCKOUT, THROTTLE	22	P021-03-7930	PISTON KIT	2	V137-00-0000	GROMMET,FUEL	12
C532-00-0170	ROD, CONNECTING	18	P021-04-1570	AIR CLEANER ASY	8	V150-00-1800	PLATE,EYE	20
C539-00-0021	LID,GEARCASE	18	P021-04-5610	FUEL CAP ASY	12	V150-00-1810	PLATE,EYE	18
C600-00-1590	FRAME	22	P021-04-6110	CRANKCASE SET	4	V150-00-3890	PLATE,EYE	22
C628-00-0160	PIECE, PLATE	18	P021-04-6120	CLUTCH SHOE SET	18	V186-00-0270	JOINT,PIPE	12
P005-00-0010	STRAINER	10	P021-05-0320	CLEANER LID ASY	8	V203-00-0080	BOLT,5	6
P005-00-0100	SCREW, THROTTLEADJUST	10	P021-05-0340	REAR HANDLE ASY	22	V204-00-0510	BOLT	20
P005-00-0190	E-RING	10	P021-05-0350	REAR HANDLE SET	22	V299-00-0410	KNOB	8
P005-00-0200	GASKET, METERING	10	P021-05-0360	SWITCH,ON OFF	22	V304-00-0240	WASHER	20
P005-00-0250	RETAINER	10	P022-00-6800	ROPE, STARTER	16	V353-00-0250	COLLAR	20
P005-00-0270	SCREW	10	P022-00-8270	SPRING,DAMPER	16	V420-00-4490	CUSHION	12
P005-00-0280	O-RING	10	P022-02-7980	DRUM, STARTER	16	V450-00-0630	SPRING, COMPRESSION	22
P005-00-0510	DIAPHRAGM, PUMP	10	P022-03-7310	PLATE, CAM	16	V450-00-1910	SPRING, COMPRESSION	22
P005-00-0520	GASKET, PUMP	10	P022-03-9960	CASE, STARTER	16	V450-00-1920	SPRING, COMPRESSION	22
P005-00-0940	SPRING, METER. LEVER	10	P100-00-2720	CUTTER,ASM	20	V452-00-0300	SPRING,TORSION	22

NUMERICAL PARTS INDEX

Part No	Part description	Page	Part No	Part description	Page
V452-00-0310	SPRING,TORSION	22	V805-00-0170	BOLT, TORX 5	20
V452-00-1370	SPRING,TORSION	6	V805-00-0190	BOLT, TORX 5	14
V471-00-3500	PIPE	12	V805-00-0210	BOLT, TORX 5	2
V471-00-3510	PIPE	12	V805-00-0220	BOLT, TORX 5	4
V485-00-1220	LEAD	6	V805-00-0220	BOLT, TORX 5	20
V490-00-0500	CLIP	12	V805-00-0240	BOLT, TORX 5	22
V490-00-1100	CLIP	8	V805-00-0320	BOLT, TORX 5	14
V541-00-0140	SEAL	18	V806-00-0140	BOLT, TORX 6	18
V606-00-0020	PIN,ENG 8	2	X412-00-0650	CUTTER	20
V650-00-0300	GEAR,SPUR	18	X425-00-0850	SUPPORT,CUTTER	20
V804-00-0010	BOLT, TORX 4	16	X425-00-0910	SUPPORT,CUTTER	20
V804-00-0010	BOLT, TORX 4	22	X431-00-0210	BLUNT	20
V804-00-0030	BOLT, TORX 4	14	X495-00-0660	SCABBARD,BLADE	24
V804-00-0040	BOLT, TORX 4	14	X504-00-7680	LABEL,BRAND	16
V804-00-0040	BOLT, TORX 4	22	X505-00-2030	LABEL,CAUTION	22
V804-00-0060	BOLT, TORX 4	6	X505-00-2310	LABEL,CAUTION	14
V804-00-0060	BOLT, TORX 4	16	X532-00-0740	LABEL,OPERATION	22
V804-00-0060	BOLT, TORX 4	18	X543-00-4710	LABEL,MODEL	16
V805-00-0010	BOLT, TORX 5	22			
V805-00-0100	BOLT, TORX 5	8			
V805-00-0130	BOLT, TORX 5	14			
V805-00-0150	BOLT, TORX 5	2			
V805-00-0150	BOLT, TORX 5	22			
V805-00-0170	BOLT, TORX 5	8			