

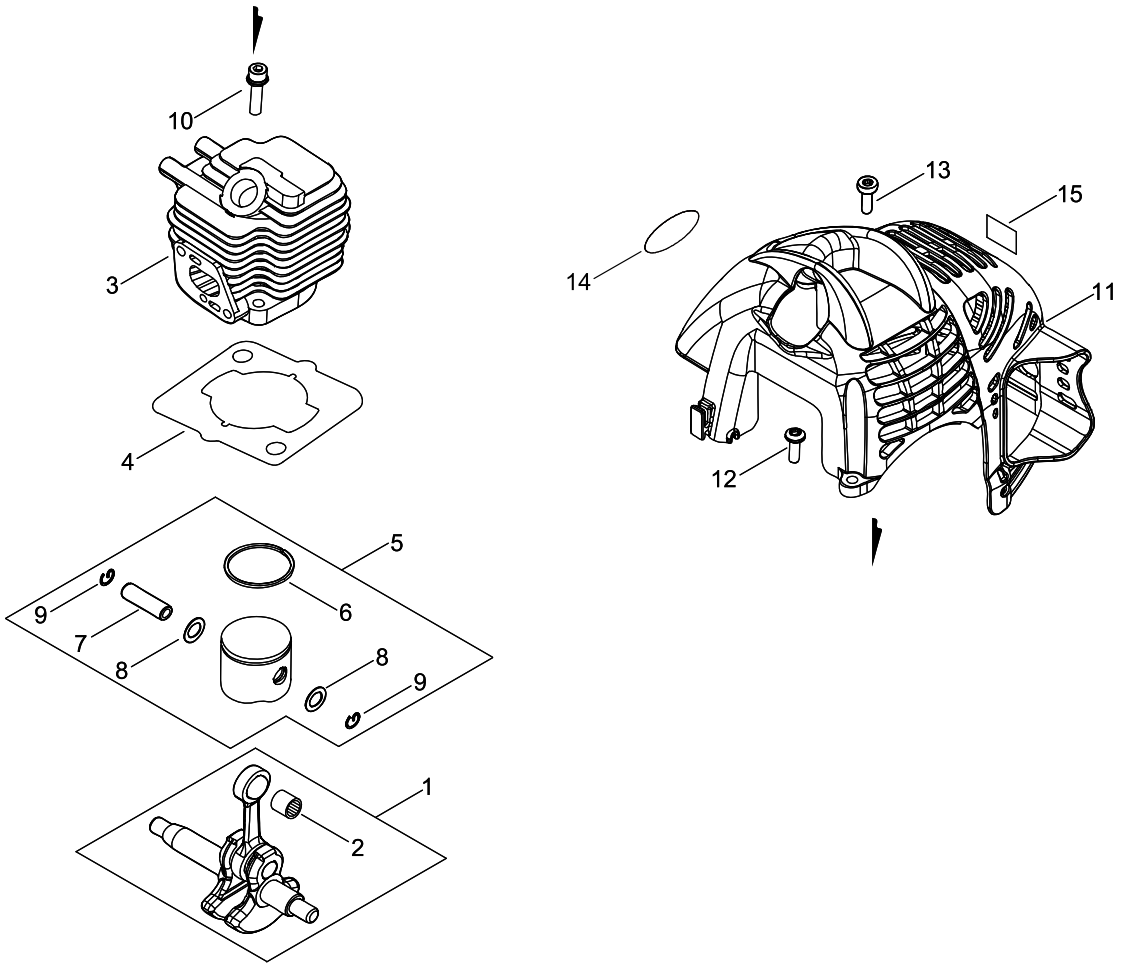
AH236S-LW

Published:01/16/2018

TABLE OF CONTENTS

CYLINDER, PISTON, CRANKSHAFT.....	1
CRANKCASE	3
MAGNETO.....	5
CLUTCH.....	7
AIR CLEANER, CARBURETOR.....	9
CARBURETOR.....	11
FUEL TANK.....	13
MUFFLER	15
RECOIL STARTER, PULLY	17
GEAR CASE.....	19
CUTTING BLADE.....	23
MAIN PIPE	25
THROTTLE	27
ACCESSORIES.....	29

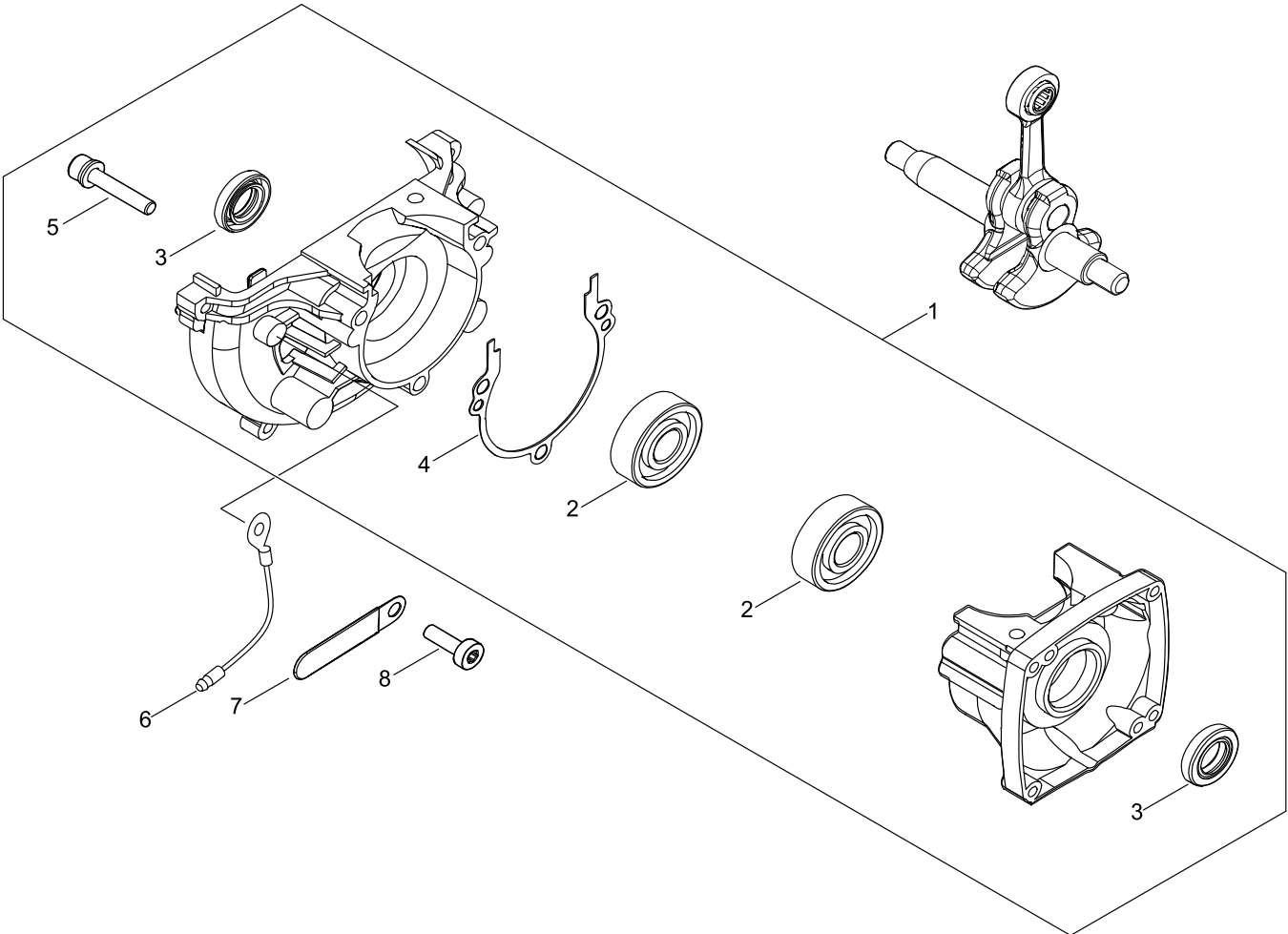
CYLINDER, PISTON, CRANKSHAFT



CYLINDER, PISTON, CRANKSHAFT

KEY NO	LV(+)	Part No	Description	Qty	Standard	Comment
1		A011-001410	CRANKSHAFT,ASY	1		
2	+	V553-000060	BEARING,NEEDLE 8	1	HK0810FMV4	
3		A130-002100	CYLINDER	1		
4		101010-44332	GASKET, CYL. BASE	1		
5		P021-007712	PISTON KIT	1		
6	+	A101-000090	RING,PISTON	1		
7	+	100013-11520	PIN, PISTON	1		
8	+	100014-11520	SPACER, PISTON PIN	2		
9	+	100015-04630	CIRCLIP, PISTON PIN	2		
10		900162-05022	BOLT, H.S. 5*22	2	5*22 W,SW	
11		A160-002850	COVER,CYLINDER	1		
12		V805-000000	BOLT, TORX 5	1	TT-5*16 DG 10.9	
13		V805-000150	BOLT, TORX 5	1	TB-5*16 10.9	
14		X562-000750	LABEL,SHINDAIWA	1		
15		X505-007710	LABEL,CAUTION	1		

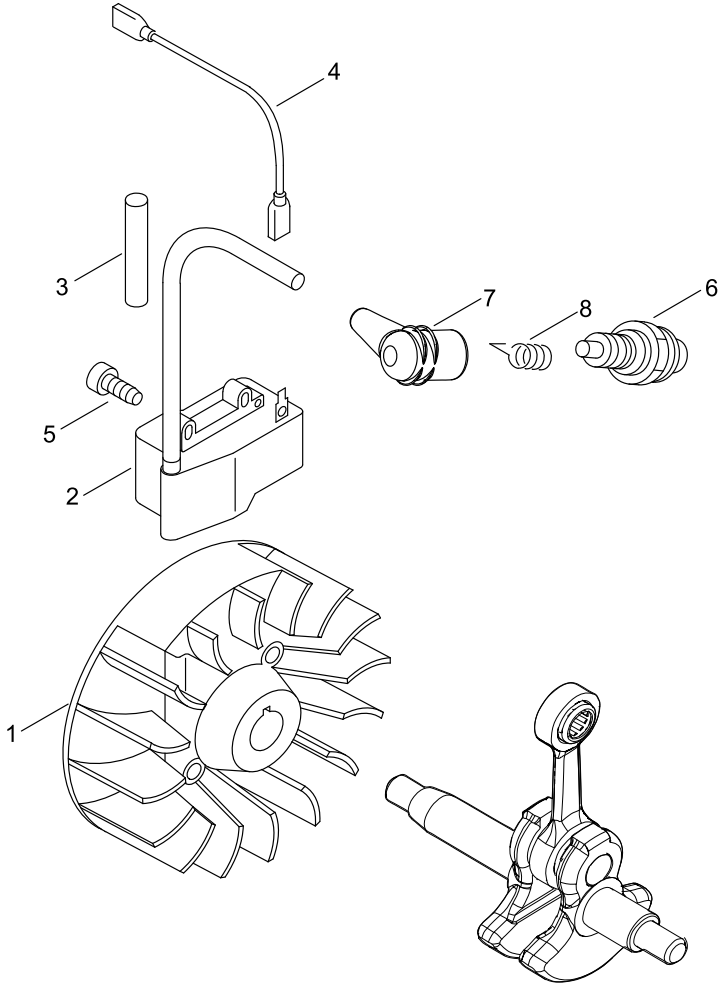
CRANKCASE



CRANKCASE

KEY NO	LV(+)	Part No	Description	Qty	Standard	Comment
1		P100-001870	CRANKCASE SET	1		
2	+	94035-36201	BEARING BALL	2	6201X3JR2C3	
3	+	100212-42031	OILSEAL	2	ISCD 12*22*4.5	
4	+	100242-42030	GASKET, CRANKCASE	1		
5	+	900162-05028	BOLT, H.S. 5*28	3	5*28 W,SW	
6		162014-27230	LEAD, GROUND	1		
7		159116-21231	CLAMP	1		
8		V805-000130	BOLT, TORX 5	1	TB-5*10 10.9	

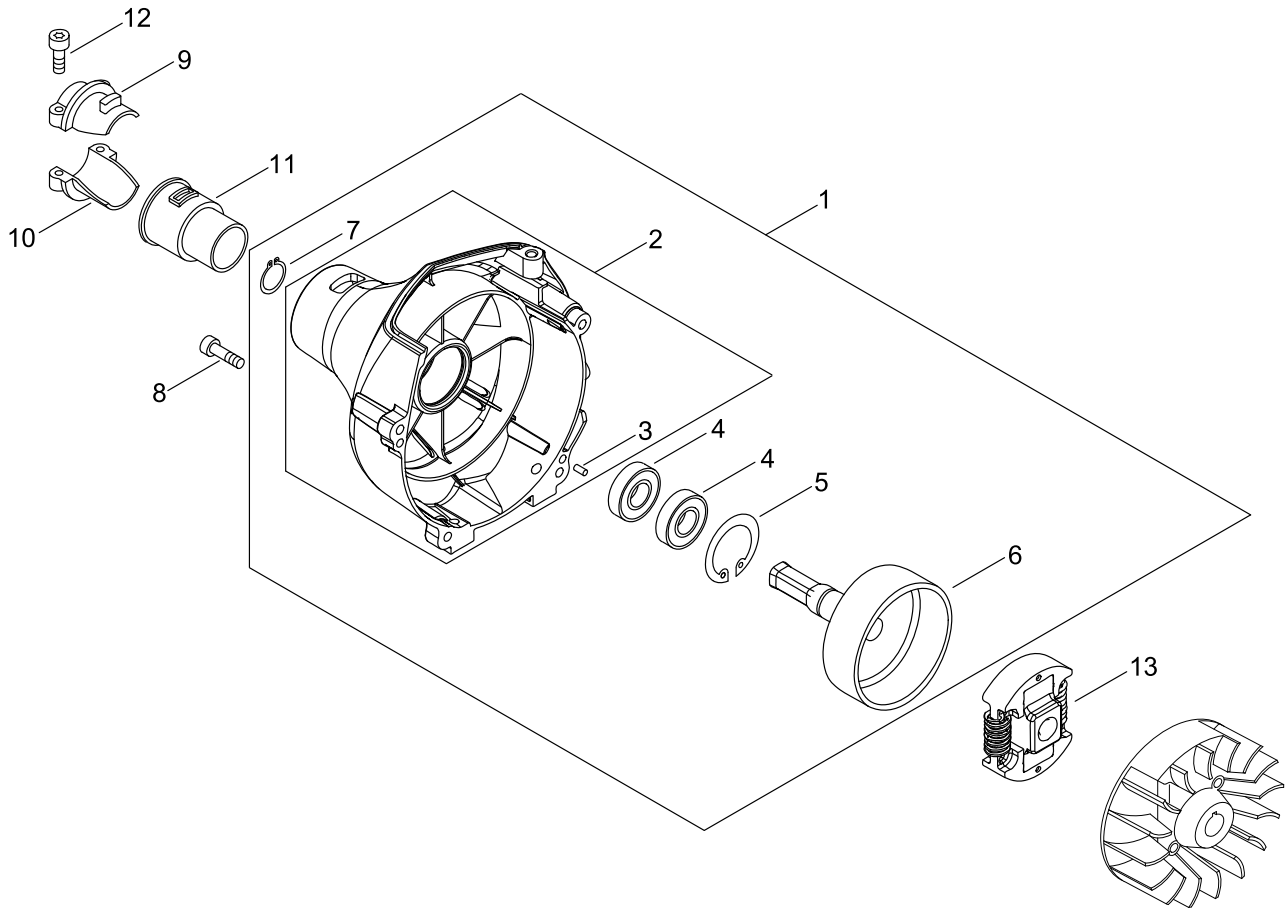
MAGNETO



MAGNETO

KEY NO	LV(+)	Part No	Description	Qty	Standard	Comment
1		A409-000160	ROTOR,MAGNETO	1		
2		A411-000130	COIL,IGNITION	1		
3		V475-007200	TUBE	1	SSG-3Φ8*L65	
4		V485-001120	LEAD	1	L210 #187 CB104	
5		V804-000070	BOLT, TORX 4	2	TB-4*20 12.9	
6		A425-000000	SPARKPLUG	1	BPMR8Y	
7		A427-000013	CAP,SPARK PLUG	1		
8		A426-000010	TERMINAL,SPARKPLUG	1		

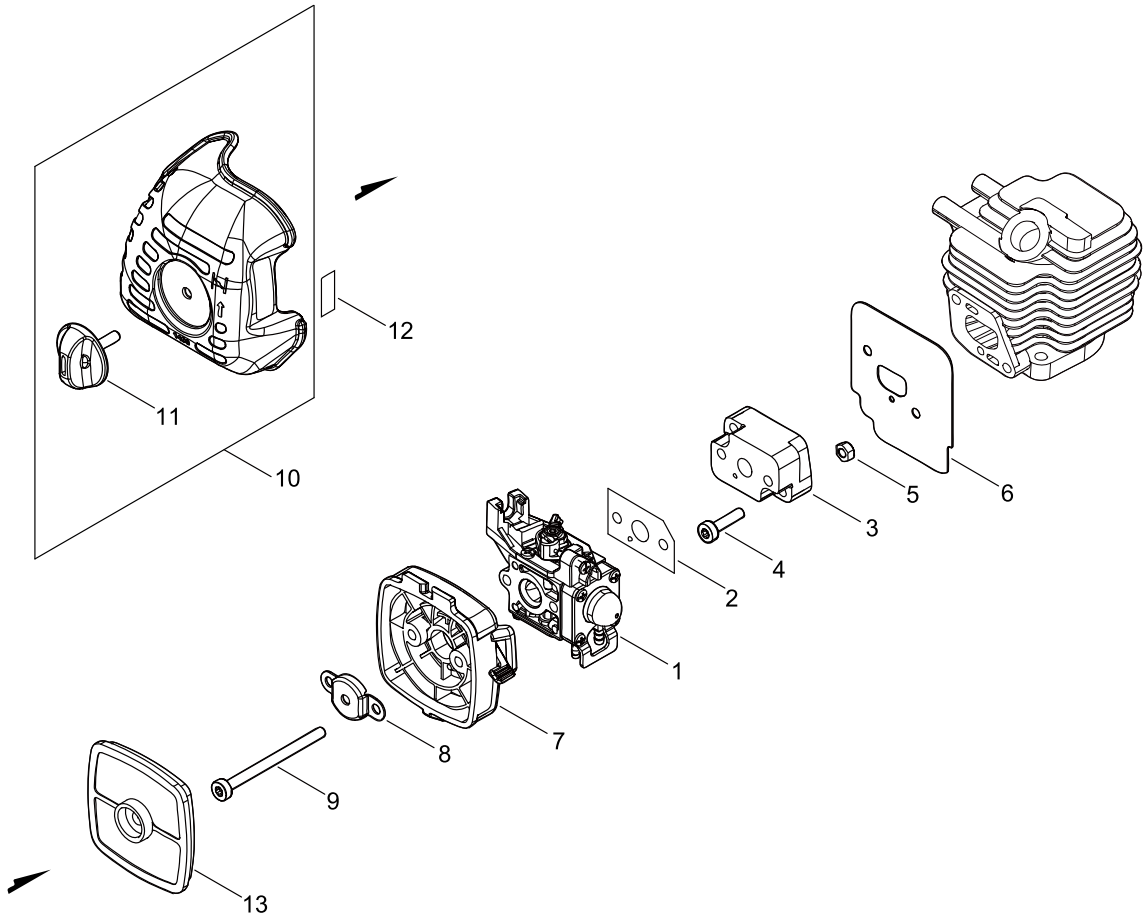
CLUTCH



CLUTCH

KEY NO	LV(+)	Part No	Description	Qty	Standard	Comment
1		P021-051470	FAN COVER ASY	1		
2	+	A172-003170	COVER,FAN	1		
3	++	900330-40080	PIN F 4*8	2	4*8	
4	+	900807-06001	BEARING, BALL 6001	2	6001V(LB)	
5	+	900702-00028	CIRCLIP 28	1	CR-28	
6	+	175005-48931	DRUM, CLUTCH	1		
7	+	900701-00012	CIRCLIP 12	1	CS-12	
8		V804-000060	BOLT, TORX 4	4	TB-4*16 10.9	
9		610922-27432	HOLDER	1		
10		610923-55230	HOLDER	1		
11		610910-55230	CUSHION	1		
12		V805-000160	BOLT, TORX 5	2	TB-5*20 10.9	
13		A056-000780	CLUTCH ASY	1	22 C0.5 D50 NONR	

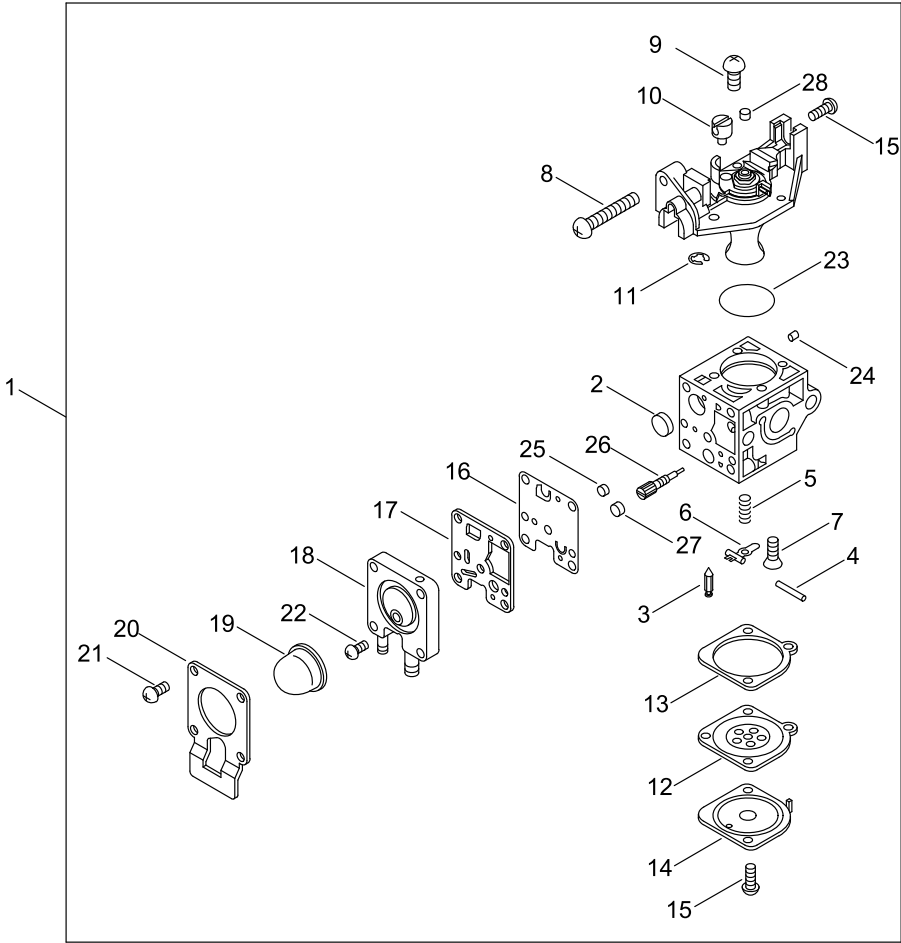
AIR CLEANER, CARBURETOR



AIR CLEANER, CARBURETOR

KEY NO	LV(+)	Part No	Description	Qty	Standard	Comment
1		A021-003881	CARBURETOR, DIAPHRAGM	1	ZAMA RB-K113	
2		V103-001390	GASKET,INTAKE	1		
3		130017-44331	INSULATOR	1		
4		V805-000160	BOLT, TORX 5	2	TB-5*20 10.9	
5		900500-00005	NUT 5	2	5	
6		V103-001360	GASKET,INTAKE	1		
7		P021-051510	CLEANER CASE ASY	1		
8		129011-52730	PLATE, PREVENT	1		
9		V805-000100	BOLT, TORX 5	2	TB-5*65 10.9	
10		P100-004130	LID,CLEANER ASY	1		
11	+	V299-000520	KNOB,FASTENER	1	M5*22.5	
12		890332-52730	LABEL, CHOKE	1		
13		A226-001410	ELEMENT,AIR FILTER	1		

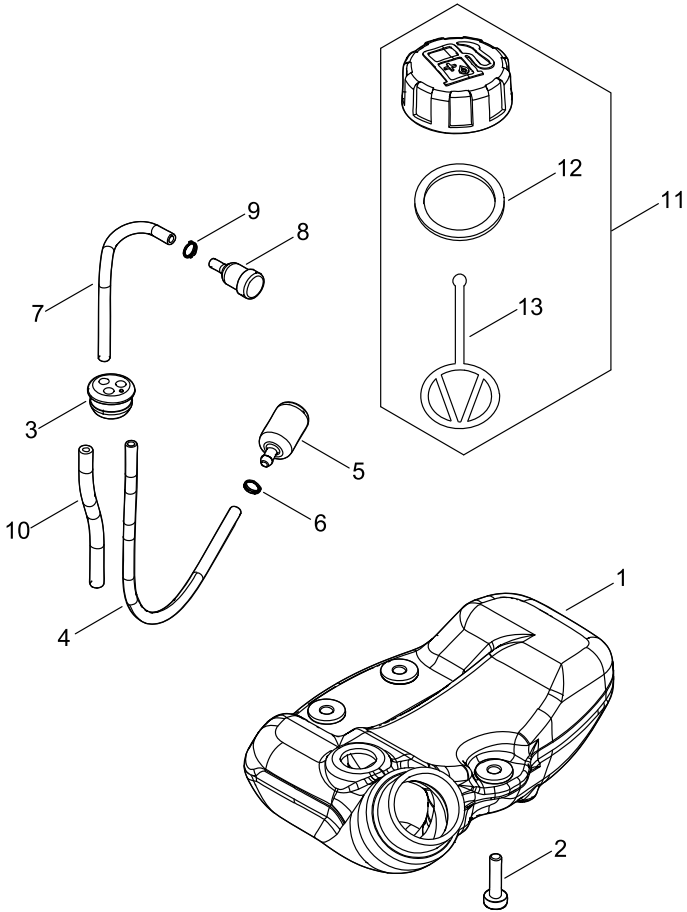
CARBURETOR



CARBURETOR

KEY NO	LV(+)	Part No	Description	Qty	Standard	Comment
1		A021-003881	CARBURETOR, DIAPHRAGM	1	ZAMA RB-K113	
2	+	P005-000010	STRAINER	1		
3	+	125337-08260	VALVE, INLET NEEDLE	1		
4	+	125338-13930	PIN, METERING ARM	1		
5	+	P005-002430	SPRING, MET. LEVER	1		
6	+	125323-08260	ARM, VALVE	1		
7	+	125339-42030	SCREW	1		
8	+	P005-000100	SCREW, THROTTLEADJUST	1		
9	+	125344-13931	SCREW	3		
10	+	P005-001240	POST	1		
11	+	P005-000190	E-RING	1		
12	+	P005-002230	DIAPHRAGM ,METERING	1		
13	+	P005-000200	GASKET, METERING	1		
14	+	125342-52130	COVER, DIAPHRAGM	1		
15	+	125344-52130	SCREW	3		
16	+	P005-000510	DIAPHRAGM, PUMP	1		
17	+	P005-000520	GASKET, PUMP	1		
18	+	P005-001890	BASE, ASY PRIMER	1		
19	+	P005-003110	PUMP, PRIMER	1		
20	+	P005-000250	RETAINER	1		
21	+	P005-001900	SCREW	4		
22	+	P005-000270	SCREW	1		
23	+	P005-000280	O-RING	1		
24	+	P005-001000	ROLLER, GUIDE	1		
25	+	P005-001250	RETAINER,PLUG BALL	1		
26	+	P005-001260	SCREW,MAINN MIXTURE	1		
27	+	P005-001270	PLUG, H AJUST SCREW	1		
28	+	A259-000010	CAP,LIMITER	1		

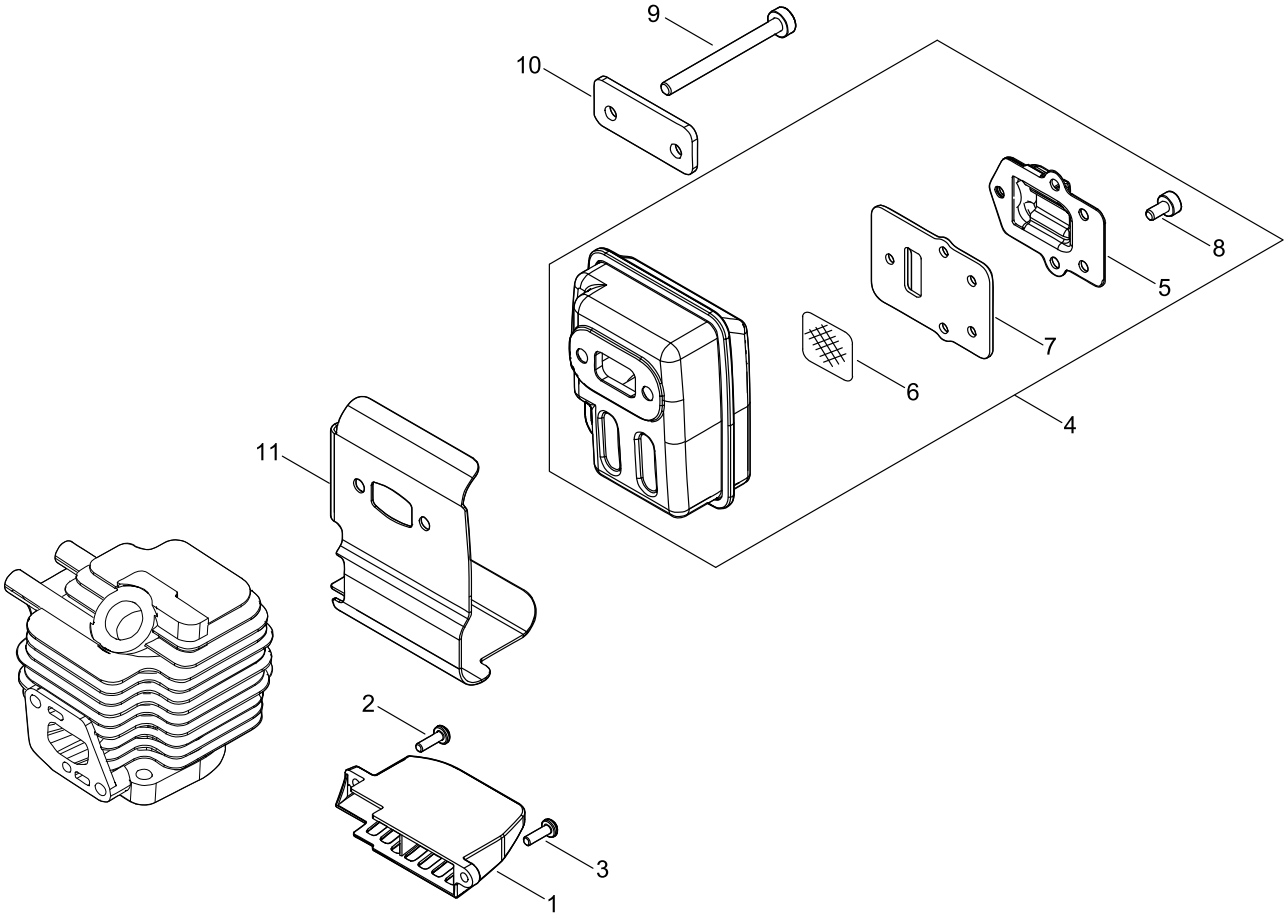
FUEL TANK



FUEL TANK

KEY NO	LV(+)	Part No	Description	Qty	Standard	Comment
1		A350-000801	TANK, FUEL	1		
2		V805-000160	BOLT, TORX 5	3	TB-5*20 10.9	
3		132115-46730	GROMMET, FUEL	1		
4		V470-000840	PIPE	1		
5		A369-000480	STRAINER, FUEL	1	125-959	
6		V490-001240	CLIP	1		
7		V471-001210	PIPE	1	3*5*90 NBR	
8		A356-000031	VALVE,CHECK	1		
9		V490-001240	CLIP	1		
10		132012-56030	PIPE	1	3*6*80 YL	
11		P021-035680	FUEL CAP ASY	1	T242	
12	+	131016-55830	GASKET, FUEL CAP	1		
13	+	A365-000060	CONNECTOR,CAP	1	L=123	

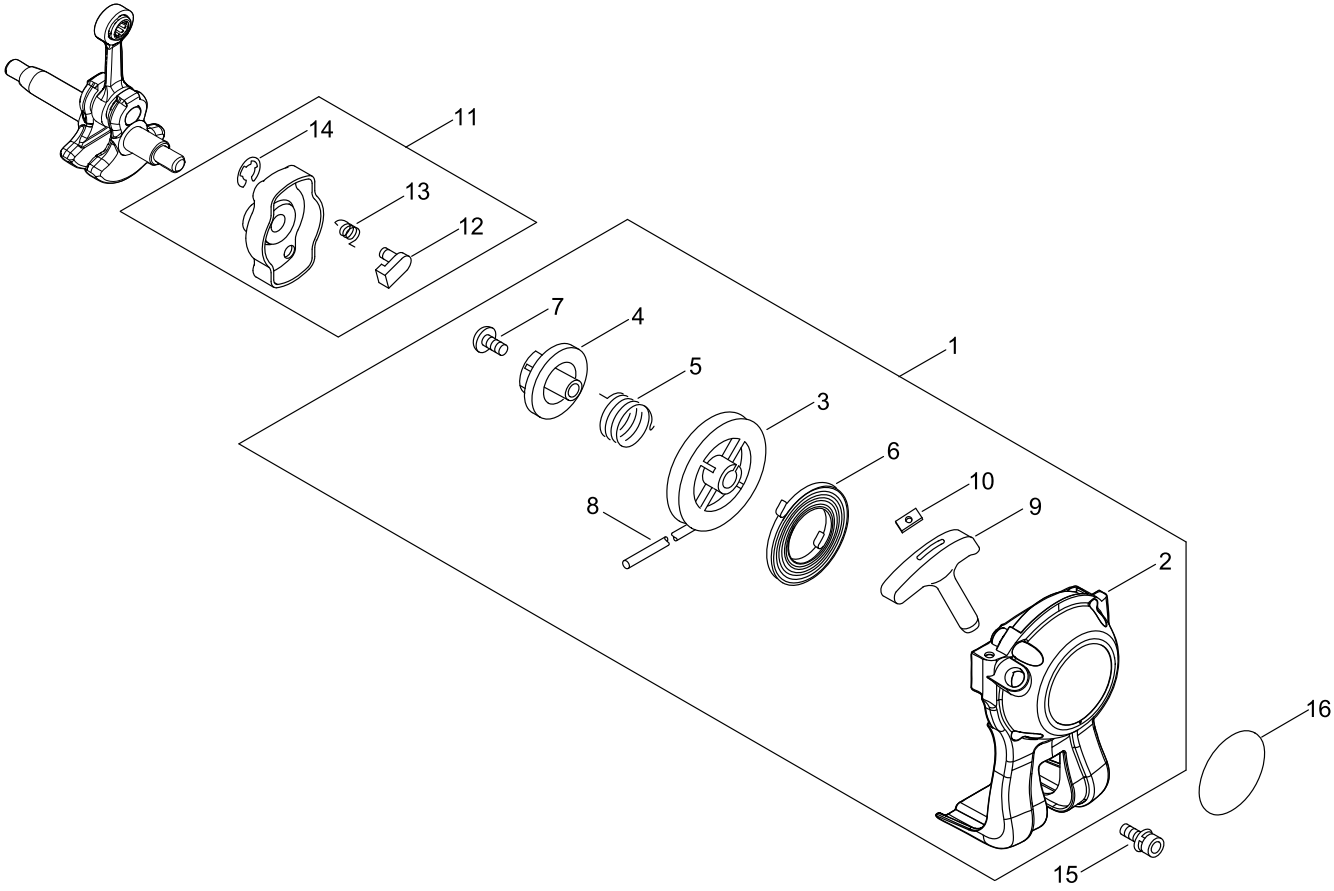
MUFFLER



MUFFLER

KEY NO	LV(+)	Part No	Description	Qty	Standard	Comment
1		A320-000480	COVER,MUFFLER	1		
2		V805-000000	BOLT, TORX 5	1	TT-5*16 DG 10.9	
3		V805-000150	BOLT, TORX 5	1	TB-5*16 10.9	
4		P021-047652	MUFFLER ASY	1		
5	+	A313-000600	GUIDE,EXH	1		
6	+	145862-40630	SCREEN, MUFFLER	1		
7	+	V104-001761	GASKET,EXHAUST	1		
8	+	V804-000030	BOLT, TORX 4	5	TB-4*8 10.9	
9		V805-000190	BOLT, TORX 5	2	TB-5*55 12.9	
10		V150-000371	PLATE,EYE	1		
11		V104-000850	GASKET,EXHAUST	1	T1.0	

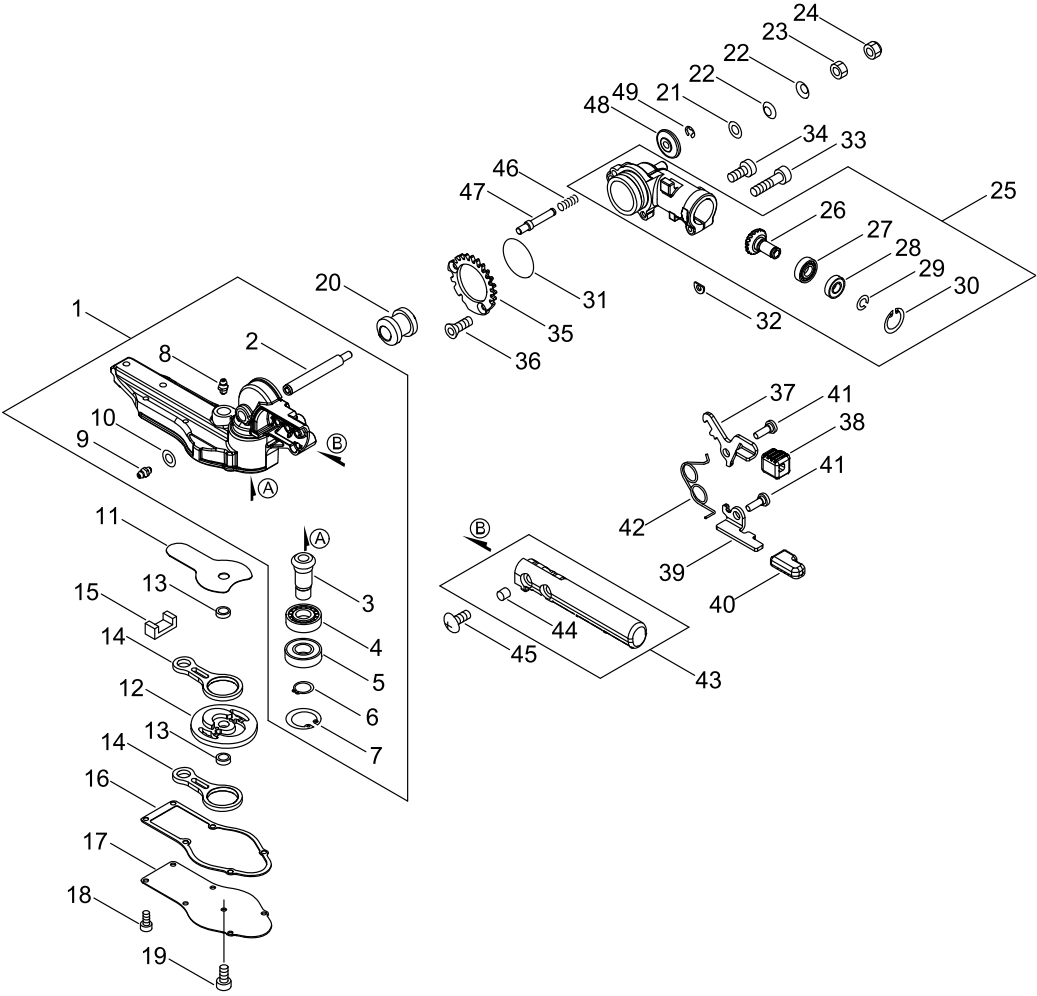
RECOIL STARTER, PULLY



RECOIL STARTER, PULLY

KEY NO	LV(+)	Part No	Description	Qty	Standard	Comment
1		A051-001312	STARTER,RECOIL ASY	1		
2	+	P022-036970	CASE,STARTER	1		
3	+	P022-034040	DRUM, STARTER	1		
4	+	P022-034030	PLATE, CAM	1		
5	+	P022-008270	SPRING,DAMPER	1		
6	+	P022-019680	SPRING, SPIRAL	1		
7	+	177236-61830	SCREW	1		
8	+	P022-019990	ROPE, STARTER	1		
9	+	177228-27030	GRIP, STARTER	1		
10	+	P022-037670	STOPPER, ROPE	1		
11		A052-000180	PULLEY,ASM STARTER	1		
12	+	P022-006850	PAWL, STARTER	2		
13	+	P022-006510	SPRING, RETURN	2		
14	+	P022-002100	E-RING	2	4	
15		V804-000060	BOLT, TORX 4	4	TB-4*16 10.9	
16		X504-007680	LABEL,BRAND	1	SHINDAIWA 47	

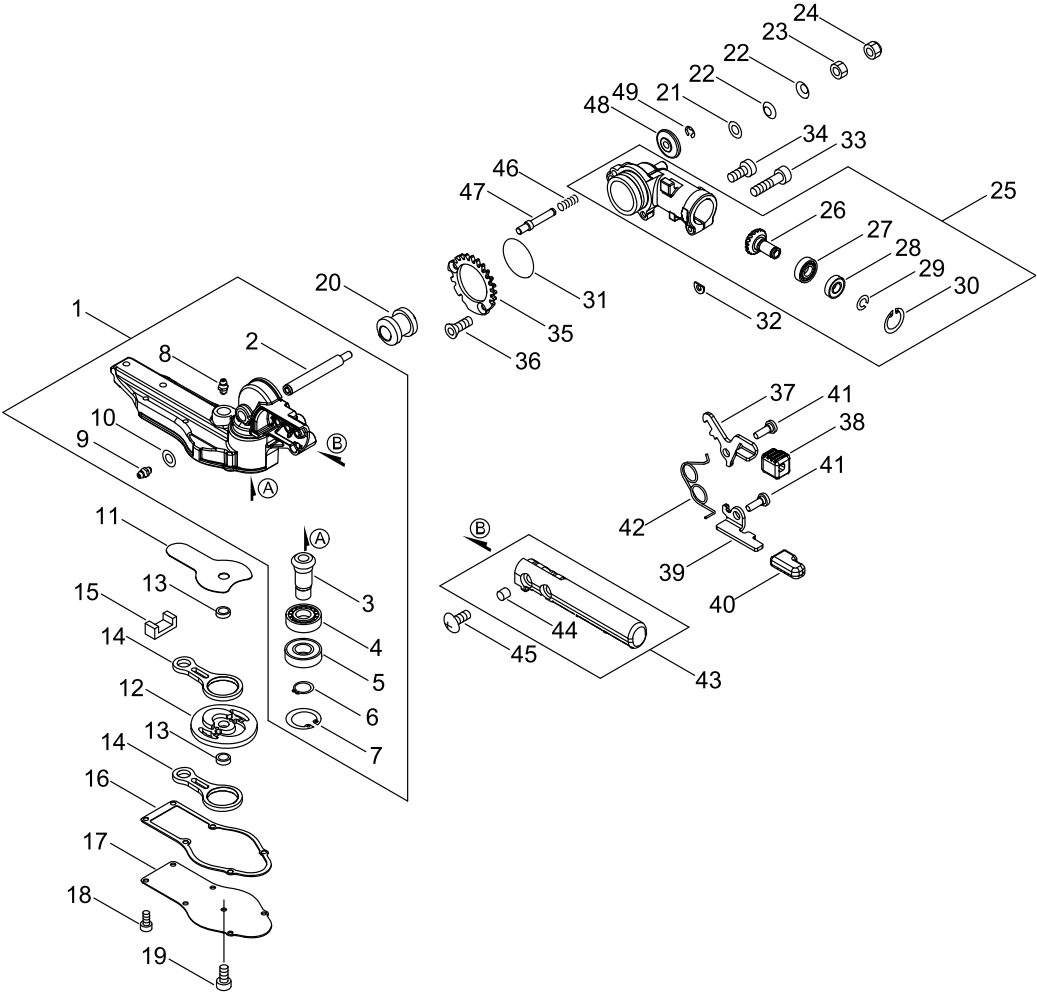
GEAR CASE



GEAR CASE

KEY NO	LV(+)	Part No	Description	Qty	Standard	Comment
1		P100-004080	CASE,GEAR ASY	1		
2	+	C534-001010	SHAFT, GEAR	1	10 M6-M6	
3	+	V655-000090	SHAFT,PINION	1		
4	+	900800-36002	BEARING, BALL 6002	1	6002	
5	+	94004-36002	BEARING, BALL	1	BB6002ZZ/C3	
6	+	900701-00014	CIRCLIP 14	1	CS-14	
7	+	900702-00032	CIRCLIP 32	1	CR-32	
8	+	V187-000080	GREASE NIPPLE	1		
9	+	V187-000080	GREASE NIPPLE	1		
10	+	900603-00006	WASHER 6	1	6.5*13*1	
11		V150-003941	PLATE,EYE	1		
12		V650-000661	GEAR,SPUR	1		
13		V356-000730	COLLAR,10	2	9.5*13*L4	
14		C532-000360	ROD, CONNECTING	2		
15		V541-000570	SEAL	1		
16		V110-000180	GASKET,GEAR CASE	1		
17		C539-000160	LID,GEARCASE	1	T1.2	
18		V804-000110	BOLT, TORX 4	6	TB-4*10 12.9	
19		V805-000300	BOLT, TORX 5	1	TB-5*12 12.9	
20		P021-047570	GEAR,BEVEL SET	1		
21		900603-00006	WASHER 6	1	6.5*13*1	
22		V347-000030	CONE WASHER	2		
23		900502-00006	NUT 6 (3N)	1	3N6	
24		900560-00006	NUT, LOCK	1	6	
25		P021-047820	CASE ASY, GEAR	1		
26	+	V651-001000	GEAR,BEVEL	1		
27	+	900855-06901	BEARING, BALL 6901	1	6901	
28	+	900859-06901	BEARING, BALL	1	6901	
29	+	900706-00012	CIRCLIP 12	1	WR-12	
30	+	900702-00024	CIRCLIP 24	1	CR-24	
31		900724-00035	O-RING 35	1	S-35	
32		V340-000300	SHIM	1		
33		V805-000170	BOLT, TORX 5	1	TB-5*25 10.9	
34		V805-000130	BOLT, TORX 5	1	TB-5*10 10.9	
35		C465-000030	RESETTER, LATCH	1		
36		900175-05012	BOLT, H.S.H	2	5*12	
37		C661-000150	LEVER, RELEASE	1	T3.2	
38		V494-000880	CAP	1		
39		C661-000080	SAFTY LEVER	1		
40		V494-000891	CAP	1		
41		V204-000580	PIN RATCHET	2		
42		V452-000710	COIL SPRING	1		
43		C403-000480	HANDLE	1		
44	+	V354-000320	COLLAR	2		
45		91463-06020	SCREW TRUSS	2		
46		V450-001930	SPRING,COMPRESSION	1		
47		C226-000070	PIN,CONTROL	1		

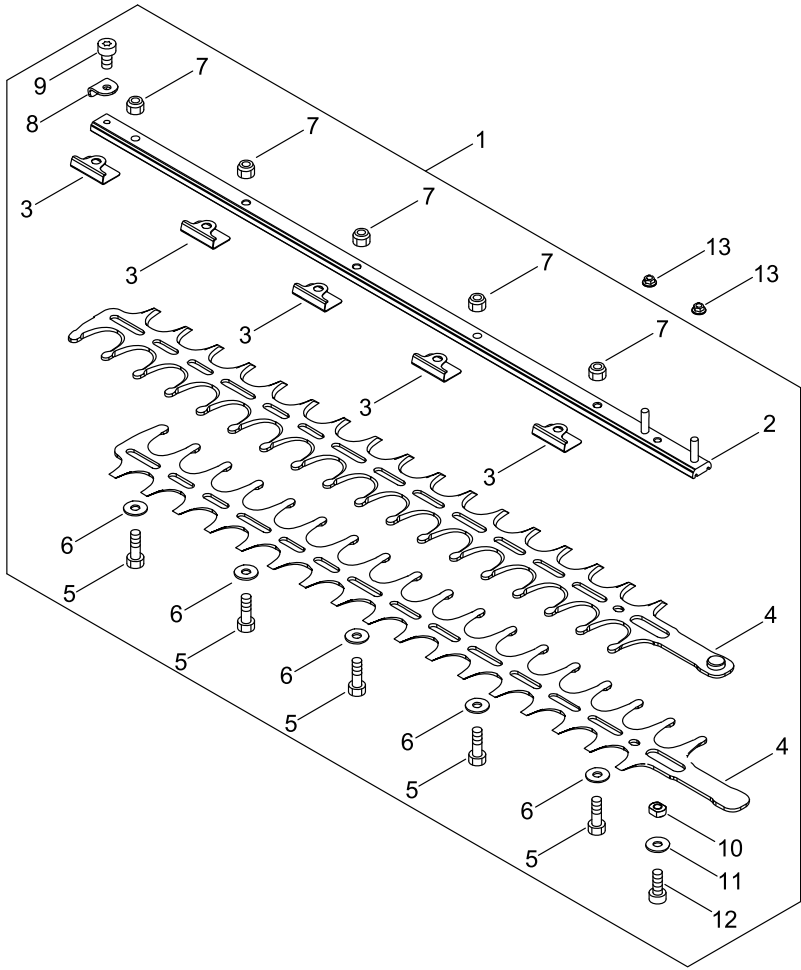
GEAR CASE



GEAR CASE

KEY NO	LV(+)	Part No	Description	Qty	Standard	Comment
48		M613-000250	KNOB	1		
49		900700-00005	E-RING 5	1	CE-5	

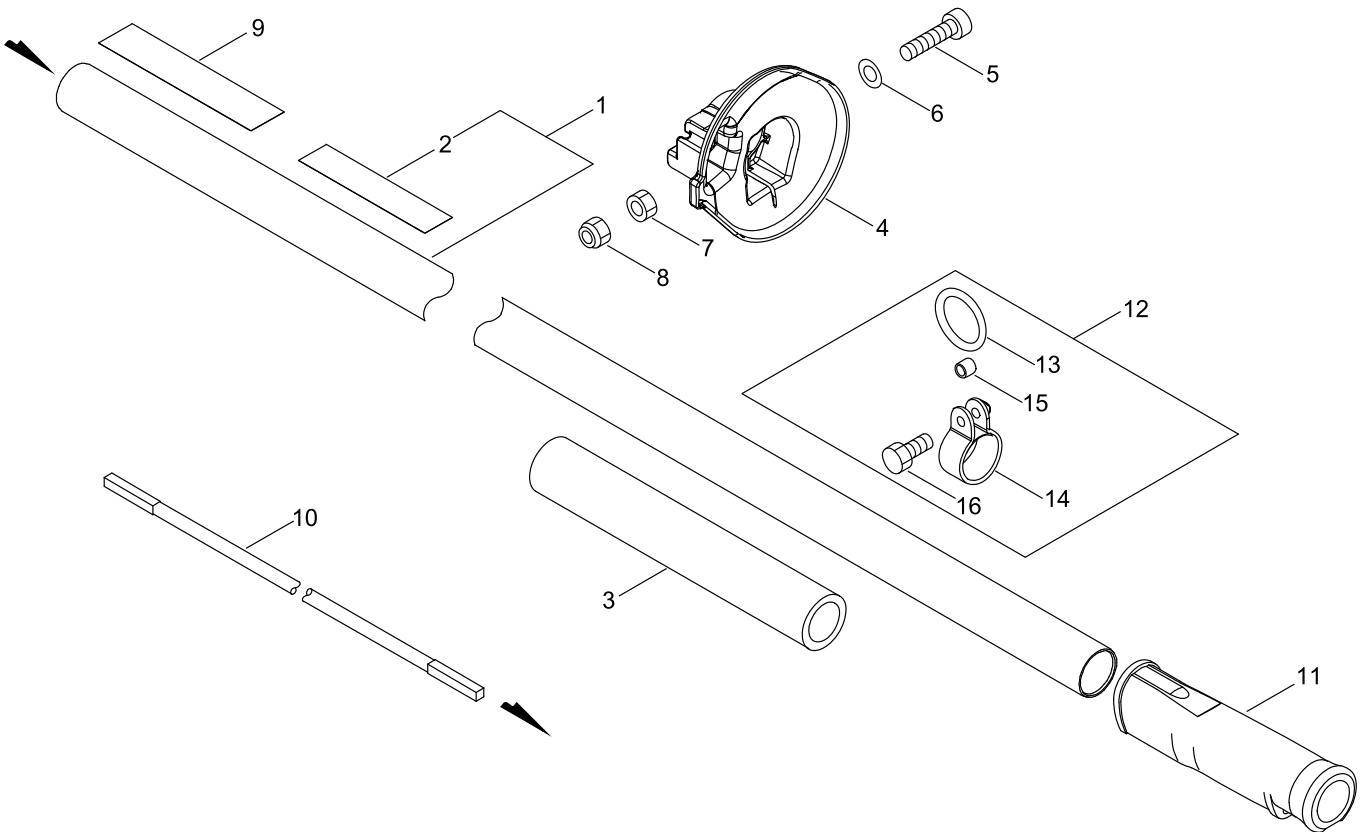
CUTTING BLADE



CUTTING BLADE

KEY NO	LV(+)	Part No	Description	Qty	Standard	Comment
1		X041-000510	CUTTER,ASM	1		
2	+	X425-000920	SUPPORT,CUTTER	1	600MM	
3	+	X425-000930	SUPPORT,CUTTER	5	T0.5	
4	+	X411-001320	CUTTER	2	600MM T2.0	
5	+	V204-000570	BOLT	5		
6	+	V304-000240	WASHER	5		
7	+	433022-06460	NUT	5		
8	+	J447-001050	GUARD	1	T1.6	
9	+	V805-000120	BOLT, TORX 5	1	TB-5*8 10.9	
10	+	V376-002130	SPACER	1		
11	+	V304-000240	WASHER	1		
12	+	V805-000250	BOLT, TORX 5	1	TB-5*16 12.9	
13		V263-000330	FLANGE NUT	2		

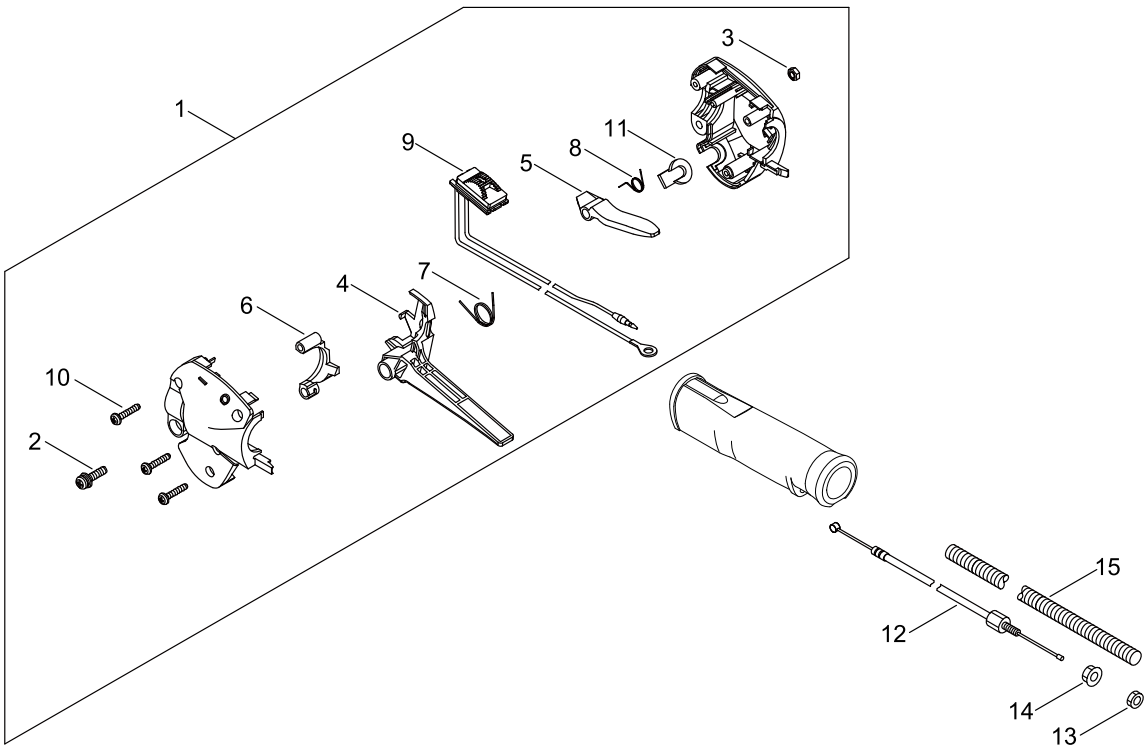
MAIN PIPE



MAIN PIPE

KEY NO	LV(+)	Part No	Description	Qty	Standard	Comment
1		P100-004140	MAIN PIPE ASY	1		
2	+	X505-002890	LABEL CAUTION	1		
3		C403-000470	GRIP	1		
4		C440-000100	GUARD, HAND	1		
5		V805-000060	BOLT, TORX 5	1	TB-5*35 10.9	
6		900603-00005	WASHER 5	1	5.5*12*0.8	
7		900500-00005	NUT 5	1	5	
8		900562-00005	NUT, LOCK	1	5	
9		X504-001100	LABEL TRADE	1		
10		C506-000390	SHAFT, FLEXIBLE	1	59.920 LNG	
11		C403-000612	GRIP, HANDLE	1		
12		P100-004100	HOOK ASY	1		
13	+	301016-52730	RING,HARNES	1		
14	+	301207-08930	HOOK	1		
15	+	699012-03330	SPACER	1		
16	+	900100-05018	BOLT 5*18	1	5*18	

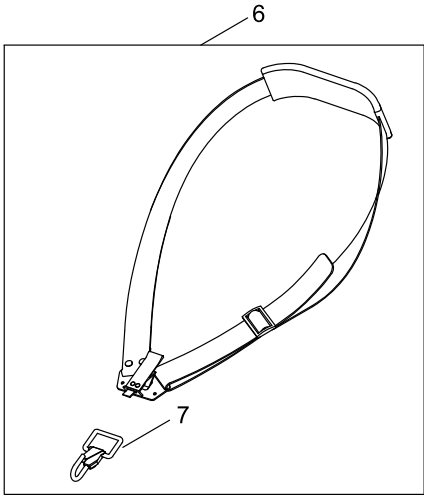
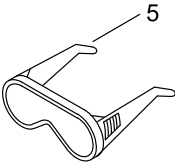
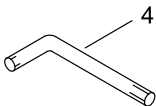
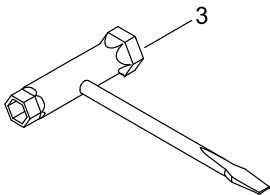
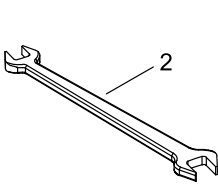
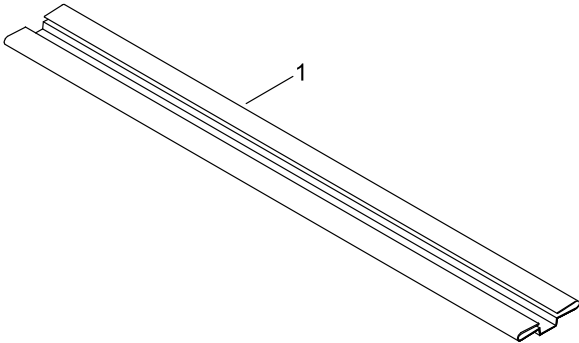
THROTTLE



THROTTLE

KEY NO	LV(+)	Part No	Description	Qty	Standard	Comment
1		P021-043720	THROTTLE LEVER ASY	1		
2	+	V805-000150	BOLT, TORX 5	1	TB-5*16 10.9	
3	+	900500-00005	NUT 5	1	5	
4	+	C450-000480	LEVER	1		
5	+	C460-000190	LOCK LEVER	1		
6	+	C461-000020	HOLDER	1		
7	+	P022-025820	SPRING, THR. RETURN	1		
8	+	V452-000500	COIL SPRING	1		
9	+	P022-035260	SWITCH, ON OFF	1		
10	+	P022-032480	SCREW	3		
11	+	P022-025790	PLUG	1		
12		V430-004510	CABLE,BOWDEN	1		
13		900502-00006	NUT 6 (3N)	1	3N6	
14		900518-00006	NUT, FLANGE	1	6	
15		V475-009240	TUBE	1		

ACCESSORIES



ACCESSORIES

KEY NO	LV(+)	Part No	Description	Qty	Standard	Comment
1		X495-000600	SCABBARD,BLADE	1	L=540	
2		895112-00330	SPANNER 8*10	1		
3		895410-03930	WRENCH, W/S. DRIVER	1		
4		X605-000170	TOOL,L WRENCH	1		
5		X690-000080	GOGGLE	1	SI CHINA, Z87.1	
6		C062-000390	STRAP ASSY	1		
7	+	C649-000200	HOOK	1		

NUMERICAL PARTS INDEX

Part No	Part description	Page	Part No	Part description	Page	Part No	Part description	Page
100013-1-1520	PIN, PISTON	2	301016-5-2730	RING,HARNESS	26	900603-0-0006	WASHER 6	20
100014-1-1520	SPACER, PISTON PIN	2	301207-0-8930	HOOK	26	900700-0-0005	E-RING 5	22
100015-0-4630	CIRCLIP, PISTON PIN	2	433022-0-6460	NUT	24	900701-0-0012	CIRCLIP 12	8
100212-4-2031	OILSEAL	4	610910-5-5230	CUSHION	8	900701-0-0014	CIRCLIP 14	20
100242-4-2030	GASKET, CRANKCASE	4	610922-2-7432	HOLDER	8	900702-0-0024	CIRCLIP 24	20
101010-4-4332	GASKET, CYL. BASE	2	610923-5-5230	HOLDER	8	900702-0-0028	CIRCLIP 28	8
125323-0-8260	ARM, VALVE	12	699012-0-3330	SPACER	26	900702-0-0032	CIRCLIP 32	20
125337-0-8260	VALVE, INLET NEEDLE	12	890332-5-2730	LABEL, CHOKE	10	900706-0-0012	CIRCLIP 12	20
125338-1-3930	PIN, METERING ARM	12	895112-0-0330	SPANNER 8*10	30	900724-0-0035	O-RING 35	20
125339-4-2030	SCREW	12	895410-0-3930	WRENCH, W/S. DRIVER	30	900800-3-6002	BEARING, BALL 6002	20
125342-5-2130	COVER, DIAPHRAGM	12	900100-0-5018	BOLT 5*18	26	900807-0-6001	BEARING, BALL 6001	8
125344-1-3931	SCREW	12	900162-0-5022	BOLT, H.S. 5*22	2	900855-0-6901	BEARING, BALL 6901	20
125344-5-2130	SCREW	12	900162-0-5028	BOLT, H.S. 5*28	4	900859-0-6901	BEARING, BALL	20
129011-5-2730	PLATE, PREVENT	10	900175-0-5012	BOLT, H.S.H	20	91463-06-020	SCREW TRUSS	20
130017-4-4331	INSULATOR	10	900330-4-0080	PIN F 4*8	8	94004-36-002	BEARING, BALL	20
131016-5-5830	GASKET, FUEL CAP	14	900500-0-0005	NUT 5	10	94035-36-201	BEARING BALL	4
132012-5-6030	PIPE	14	900500-0-0005	NUT 5	26	A011-00-1410	CRANKSHAFT,ASY	2
132115-4-6730	GROMMET, FUEL	14	900500-0-0005	NUT 5	28	A021-00-3881	CARBURETOR, DIAPHRAGM	10
145862-4-0630	SCREEN, MUFFLER	16	900502-0-0006	NUT 6 (3N)	20	A021-00-3881	CARBURETOR, DIAPHRAGM	12
159116-2-1231	CLAMP	4	900502-0-0006	NUT 6 (3N)	28	A051-00-1312	STARTER,RECOIL ASY	18
162014-2-7230	LEAD, GROUND	4	900518-0-0006	NUT, FLANGE	28	A052-00-0180	PULLEY,ASM STARTER	18
175005-4-8931	DRUM, CLUTCH	8	900560-0-0006	NUT, LOCK	20	A056-00-0780	CLUTCH ASY	8
177228-2-7030	GRIP, STARTER	18	900562-0-0005	NUT, LOCK	26	A101-00-0090	RING,PISTON	2
177236-6-1830	SCREW	18	900603-0-0005	WASHER 5	26	A130-00-2100	CYLINDER	2

NUMERICAL PARTS INDEX

Part No	Part description	Page	Part No	Part description	Page	Part No	Part description	Page
A160-00-2850	COVER,CYLINDER	2	C465-00-0030	RESETTER, LATCH	20	P005-00-1890	BASE, ASY PRIMER	12
A172-00-3170	COVER,FAN	8	C506-00-0390	SHAFT, FLEXIBLE	26	P005-00-1900	SCREW	12
A226-00-1410	ELEMENT,AIR FILTER	10	C532-00-0360	ROD, CONNECTING	20	P005-00-2230	DIAPHRAGM , METERING	12
A259-00-0010	CAP,LIMITER	12	C534-00-1010	SHAFT, GEAR	20	P005-00-2430	SPRING, MET. LEVER	12
A313-00-0600	GUIDE,EXH	16	C539-00-0160	LID,GEARCASE	20	P005-00-3110	PUMP, PRIMER	12
A320-00-0480	COVER,MUFFLER	16	C649-00-0200	HOOK	30	P021-00-7712	PISTON KIT	2
A350-00-0801	TANK, FUEL	14	C661-00-0080	SAFTY LEVER	20	P021-03-5680	FUEL CAP ASY	14
A356-00-0031	VALVE,CHECK	14	C661-00-0150	LEVER, RELEASE	20	P021-04-3720	THROTTLE LEVER ASY	28
A365-00-0060	CONNECTOR,CAP	14	J447-00-1050	GUARD	24	P021-04-7570	GEAR,BEVEL SET	20
A369-00-0480	STRAINER, FUEL	14	M613-00-0250	KNOB	22	P021-04-7652	MUFFLER ASY	16
A409-00-0160	ROTOR,MAGNETO	6	P005-00-0010	STRAINER	12	P021-04-7820	CASE ASY, GEAR	20
A411-00-0130	COIL,IGNITION	6	P005-00-0100	SCREW, THROTTLEADJUST	12	P021-05-1470	FAN COVER ASY	8
A425-00-0000	SPARKPLUG	6	P005-00-0190	E-RING	12	P021-05-1510	CLEANER CASE ASY	10
A426-00-0010	TERMINAL, SPARKPLUG	6	P005-00-0200	GASKET, METERING	12	P022-00-2100	E-RING	18
A427-00-0013	CAP,SPARK PLUG	6	P005-00-0250	RETAINER	12	P022-00-6510	SPRING, RETURN	18
C062-00-0390	STRAP ASSY	30	P005-00-0270	SCREW	12	P022-00-6850	PAWL, STARTER	18
C226-00-0070	PIN,CONTROL	20	P005-00-0280	O-RING	12	P022-00-8270	SPRING,DAMPER	18
C403-00-0470	GRIP	26	P005-00-0510	DIAPHRAGM, PUMP	12	P022-01-9680	SPRING, SPIRAL	18
C403-00-0480	HANDLE	20	P005-00-0520	GASKET, PUMP	12	P022-01-9990	ROPE, STARTER	18
C403-00-0612	GRIP, HANDLE	26	P005-00-1000	ROLLER, GUIDE	12	P022-02-5790	PLUG	28
C440-00-0100	GUARD, HAND	26	P005-00-1240	POST	12	P022-02-5820	SPRING, THR. RETURN	28
C450-00-0480	LEVER	28	P005-00-1250	RETAINER,PLUG BALL	12	P022-03-2480	SCREW	28
C460-00-0190	LOCK LEVER	28	P005-00-1260	SCREW,MAINN MIXTURE	12	P022-03-4030	PLATE, CAM	18
C461-00-0020	HOLDER	28	P005-00-1270	PLUG, H AJUST SCREW	12	P022-03-4040	DRUM, STARTER	18

NUMERICAL PARTS INDEX

Part No	Part description	Page	Part No	Part description	Page	Part No	Part description	Page
P022-03-5260	SWITCH, ON OFF	28	V356-00-0730	COLLAR,10	20	V805-00-0000	BOLT, TORX 5	2
P022-03-6970	CASE,STARTER	18	V376-00-2130	SPACER	24	V805-00-0000	BOLT, TORX 5	16
P022-03-7670	STOPPER, ROPE	18	V430-00-4510	CABLE,BOWDEN	28	V805-00-0060	BOLT, TORX 5	26
P100-00-1870	CRANKCASE SET	4	V450-00-1930	SPRING, COMPRESSION	20	V805-00-0100	BOLT, TORX 5	10
P100-00-4080	CASE,GEAR ASY	20	V452-00-0500	COIL SPRING	28	V805-00-0120	BOLT, TORX 5	24
P100-00-4100	HOOK ASY	26	V452-00-0710	COIL SPRING	20	V805-00-0130	BOLT, TORX 5	4
P100-00-4130	LID,CLEANER ASY	10	V470-00-0840	PIPE	14	V805-00-0130	BOLT, TORX 5	20
P100-00-4140	MAIN PIPE ASY	26	V471-00-1210	PIPE	14	V805-00-0150	BOLT, TORX 5	2
V103-00-1360	GASKET,INTAKE	10	V475-00-7200	TUBE	6	V805-00-0150	BOLT, TORX 5	16
V103-00-1390	GASKET,INTAKE	10	V475-00-9240	TUBE	28	V805-00-0150	BOLT, TORX 5	28
V104-00-0850	GASKET,EXHAUST	16	V485-00-1120	LEAD	6	V805-00-0160	BOLT, TORX 5	8
V104-00-1761	GASKET,EXHAUST	16	V490-00-1240	CLIP	14	V805-00-0160	BOLT, TORX 5	10
V110-00-0180	GASKET,GEAR CASE	20	V494-00-0880	CAP	20	V805-00-0160	BOLT, TORX 5	14
V150-00-0371	PLATE,EYE	16	V494-00-0891	CAP	20	V805-00-0170	BOLT, TORX 5	20
V150-00-3941	PLATE,EYE	20	V541-00-0570	SEAL	20	V805-00-0190	BOLT, TORX 5	16
V187-00-0080	GREASE NIPPLE	20	V553-00-0060	BEARING,NEEDLE 8	2	V805-00-0250	BOLT, TORX 5	24
V204-00-0570	BOLT	24	V650-00-0661	GEAR,SPUR	20	V805-00-0300	BOLT, TORX 5	20
V204-00-0580	PIN RATCHET	20	V651-00-1000	GEAR,BEVEL	20	X041-00-0510	CUTTER,ASM	24
V263-00-0330	FLANGE NUT	24	V655-00-0090	SHAFT,PINION	20	X411-00-1320	CUTTER	24
V299-00-0520	KNOB,FASTENER	10	V804-00-0030	BOLT, TORX 4	16	X425-00-0920	SUPPORT,CUTTER	24
V304-00-0240	WASHER	24	V804-00-0060	BOLT, TORX 4	8	X425-00-0930	SUPPORT,CUTTER	24
V340-00-0300	SHIM	20	V804-00-0060	BOLT, TORX 4	18	X495-00-0600	SCABBARD,BLADE	30
V347-00-0030	CONE WASHER	20	V804-00-0070	BOLT, TORX 4	6	X504-00-1100	LABEL TRADE	26
V354-00-0320	COLLAR	20	V804-00-0110	BOLT, TORX 4	20	X504-00-7680	LABEL,BRAND	18

NUMERICAL PARTS INDEX

Part No	Part description	Page
X505-00-2890	LABEL CAUTION	26
X505-00-7710	LABEL,CAUTION	2
X562-00-0750	LABEL,SHINDAIWA	2
X605-00-0170	TOOL,L WRENCH	30
X690-00-0080	GOGGLE	30