

**501SX**

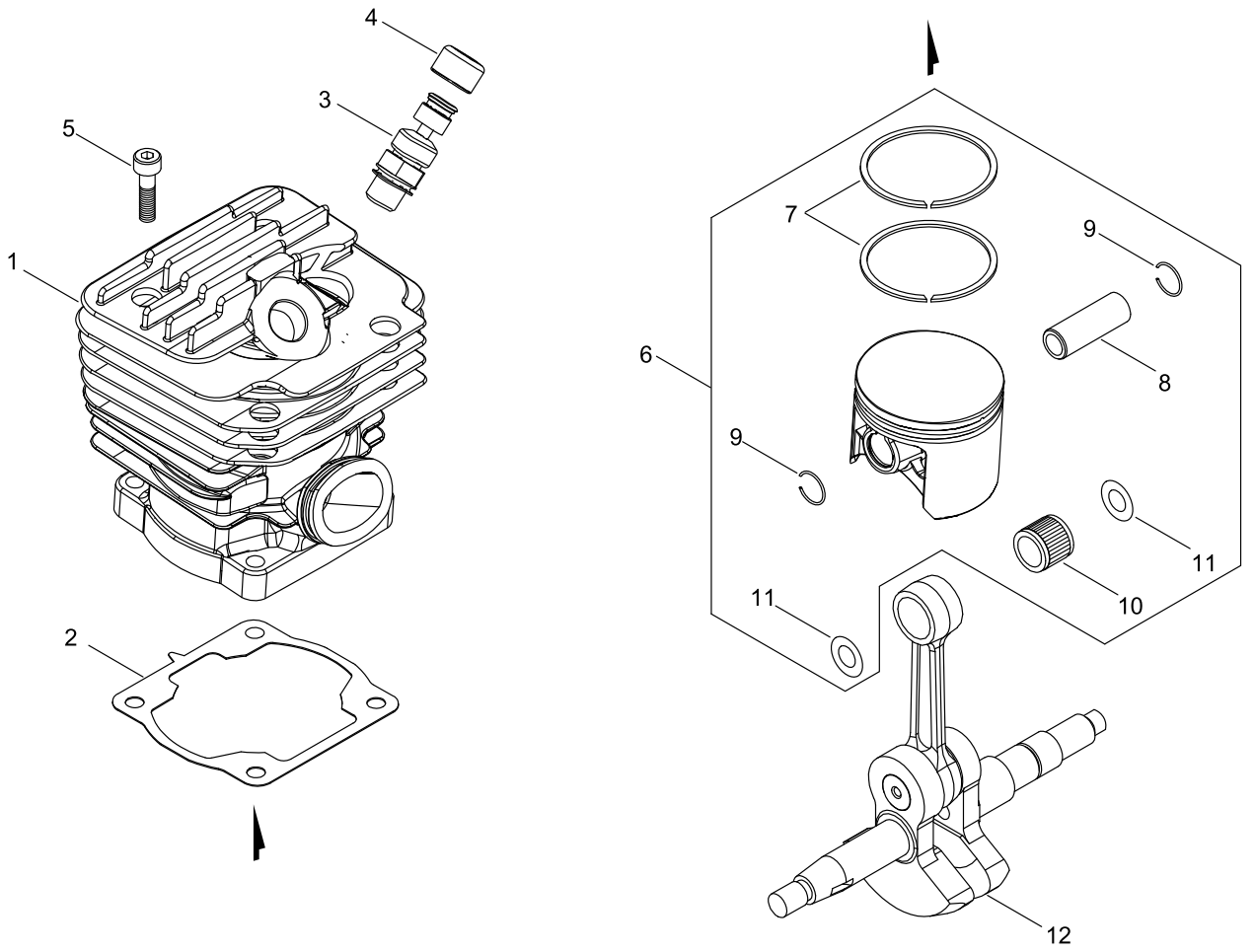
**Published:08/22/2018**

## TABLE OF CONTENTS

---

CYLINDER, PISTON, CRANKSHAFT.....	1
CRANKCASE .....	3
MAGNETO.....	5
AIR CLEANER, CARBURETOR.....	7
CARBURETOR.....	9
MUFFLER .....	11
RECOIL STARTER.....	13
HANDLE .....	15
CHAIN BRAKE.....	17
ACCESSORIES .....	21
GUIDE BAR, CHAIN.....	23

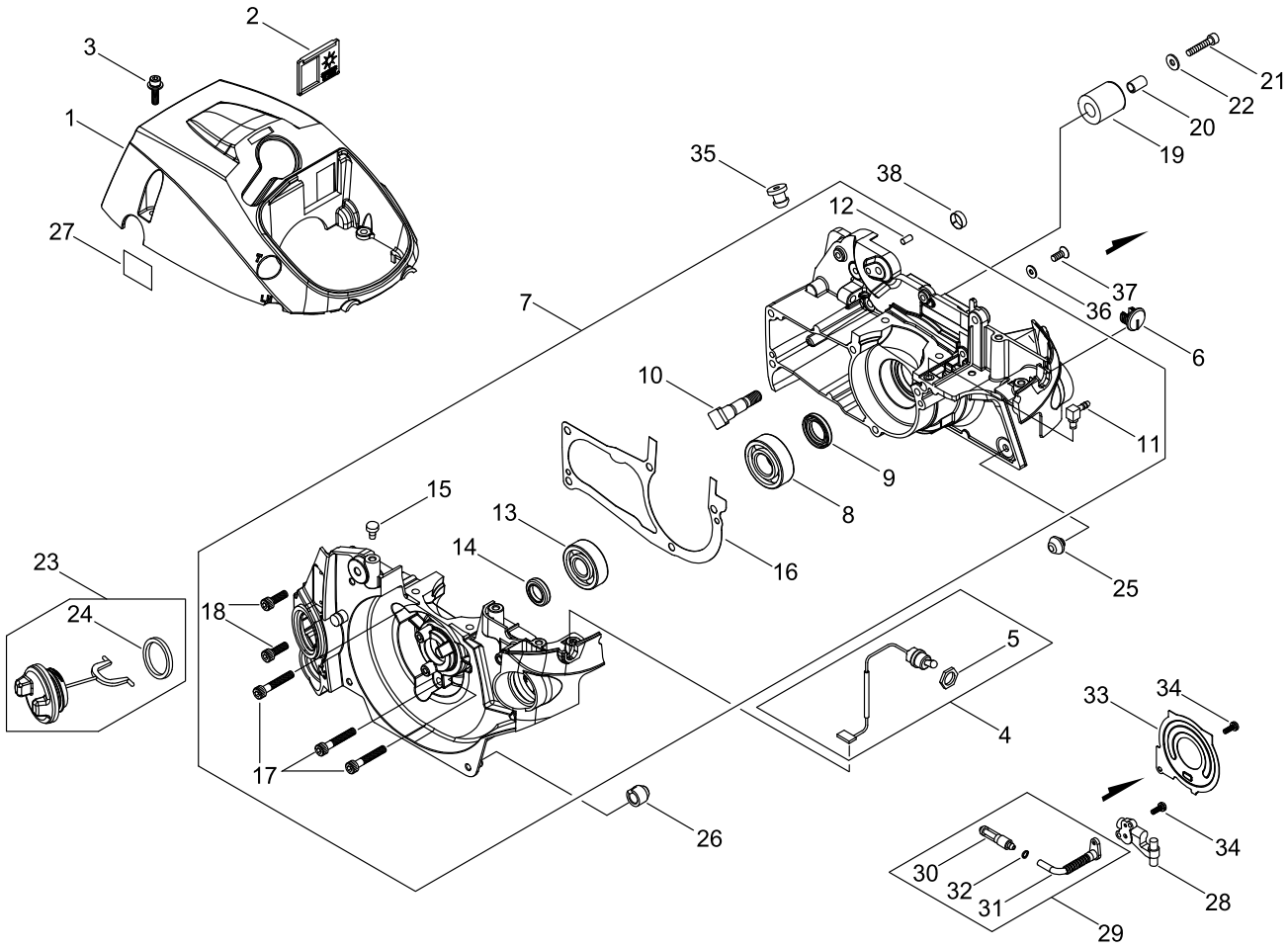
# CYLINDER, PISTON, CRANKSHAFT



## CYLINDER, PISTON, CRANKSHAFT

KEY NO	LV(+)	Part No	Description	Qty	Standard	Comment
1		A130-002280	CYLINDER	1		
2		V100-000620	GASKET,CYL	1		
3		A014-000120	RELEASE ASY., COMP.	1		
4		V141-000090	GROMMET,PLUG	1		
5		V203-001320	BOLT ADHESIVE	4		
6		P021-048650	PISTON KIT	1		
7	+	A101-000690	RING, PISTON	2	44*1.2*1.8	
8	+	V609-000070	PIN,ENG 11	1	11*35.8 HL	
9	+	V580-000030	RING,END	2	D 1.0	
10	+	V556-000040	BEARING,NEEDLE 11	1		
11	+	V308-000040	WASHER,CIRCULAR 11	2	11.2*19.5*0.5	
12		A011-001420	CRANKSHAFT,ASY	1		

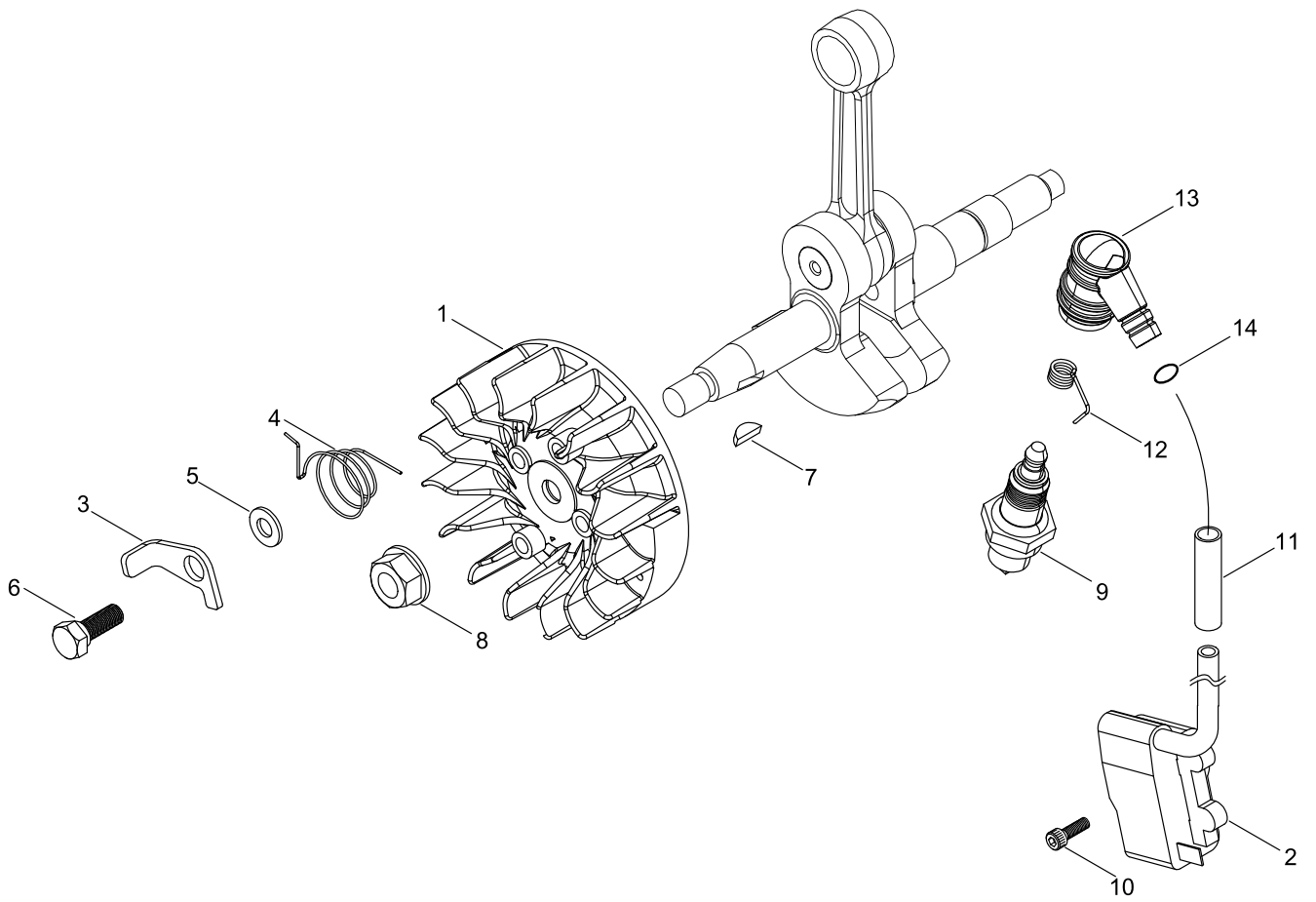
# CRANKCASE



## CRANKCASE

KEY NO	LV(+)	Part No	Description	Qty	Standard	Comment
1		A160-003070	COVER,CYLINDER	1		
2		A219-000040	SHUTTER,AIR	1		
3		V202-000690	BOLT,4	3	M4*14	
4		P021-037400	SWITCH, ON OFF	1		
5	+	V266-000090	NUT,10	1		
6		V141-000100	PLUG	1		
7		P021-048700	CRANKCASE SET	1		
8	+	V592-000290	BEARING, BALL	1	6202X47C3	
9	+	V508-000070	OIL SEAL	1		
10	+	V225-000150	BOLT,STUD	2		
11	+	437239-14730	NIPPLE	1		
12	+	V629-000000	ROLLER	2		
13	+	V592-000330	BEARING, BALL	1	6201X3C3	
14	+	V505-000070	OIL SEAL	1		
15	+	A356-000130	VALVE,CHECK	1		
16	+	V102-000220	GASKET,CRANKCASE	1		
17	+	V203-001450	BOLT	3		
18	+	V203-001540	BOLT,ADHESIVE	2		
19		C310-000110	CATCHER, CHAIN	1		
20		V353-000460	BUSH	1		
21		900105-05030	BOLT, H.S. 5*30	1	5*30	
22		900600-00005	WASHER 5	1	5	
23		C020-000040	CAP	1		
24	+	V107-000090	GASKET	1		
25		V420-004980	CUSHION	1		
26		V420-002780	CUSHION	1		
27		890345-39231	LABEL,CAUTION	1		
28		C022-000121	AUTO-OILER ASSEMBLY	1		
29		C021-000050	STRAINER, OIL	1		
30	+	C209-000070	STRAINER,OIL	1		
31	+	V470-001840	PIPE	1		
32	+	V490-000500	CLIP	1		
33		C236-000060	COVER,OILER	1		
34		V202-000520	BOLT,4	3		
35		V133-000040	GROMMET	1		
36		900603-00004	WASHER 4	1	4.5*10*0.8	
37		900212-04008	SCREW 4*8	1	+SF4*8	
38		V355-000460	COLLAR,8	1		

# MAGNETO

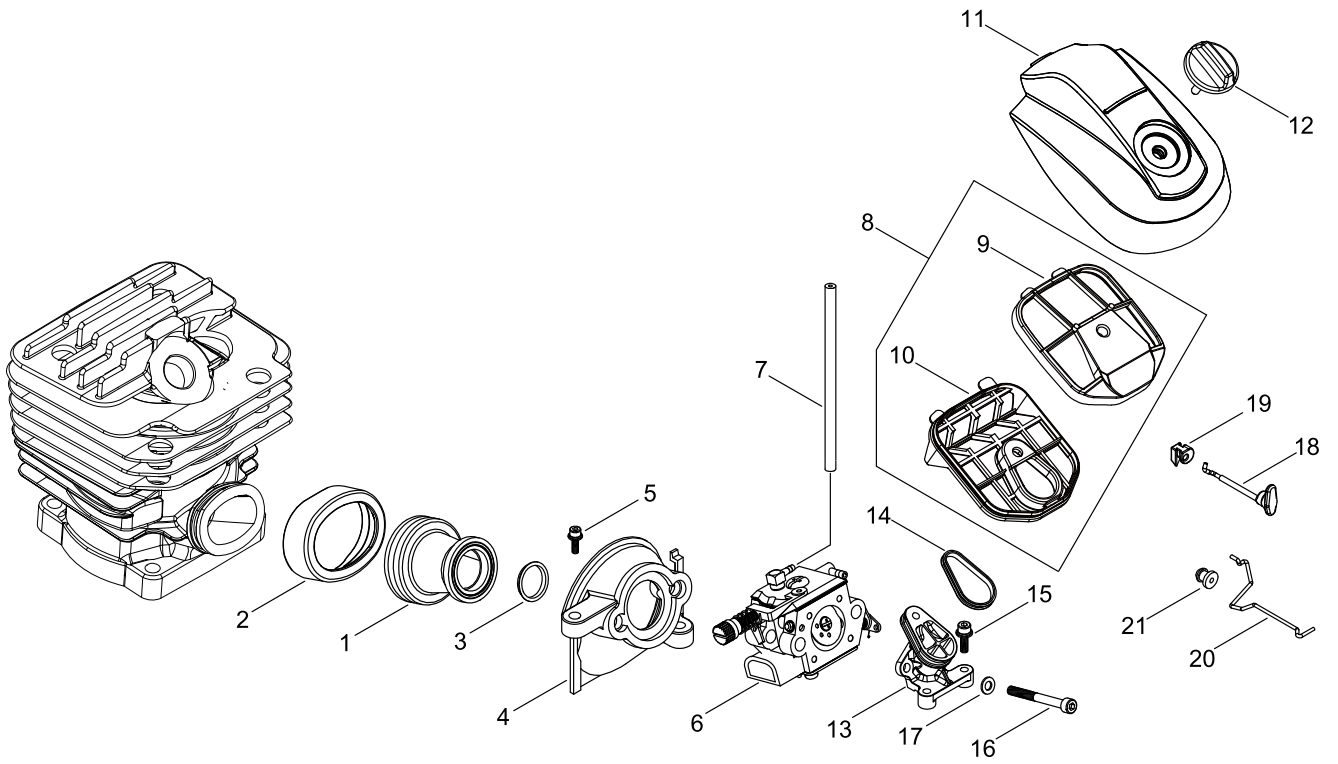


## MAGNETO

KEY NO	LV(+)	Part No	Description	Qty	Standard	Comment
1		A409-001151	ROTOR,MAGNETO	1		
2		P021-037431	COIL, IGNITION	1		
3		A514-000220	PAWL	2		
4		V452-000870	SPRING,TORSION	2		
5		V304-000270	WASHER,CIRCULAR 6	2		
6		V204-000620	BOLT	2		
7		93115-03010	KEY	1	3*10	
8		V265-000220	NUT	1		
9		A425-000000	SPARKPLUG	1	BPMR8Y	
10		V202-000540	BOLT,4	2		
11		V475-005180	TUBE	1		
12		A426-000040	TERMINAL,SPARKPLUG	1		
13		A427-000160	PLUG CAP	1		
14		900720-20007	O-RING 7	1	P-7	



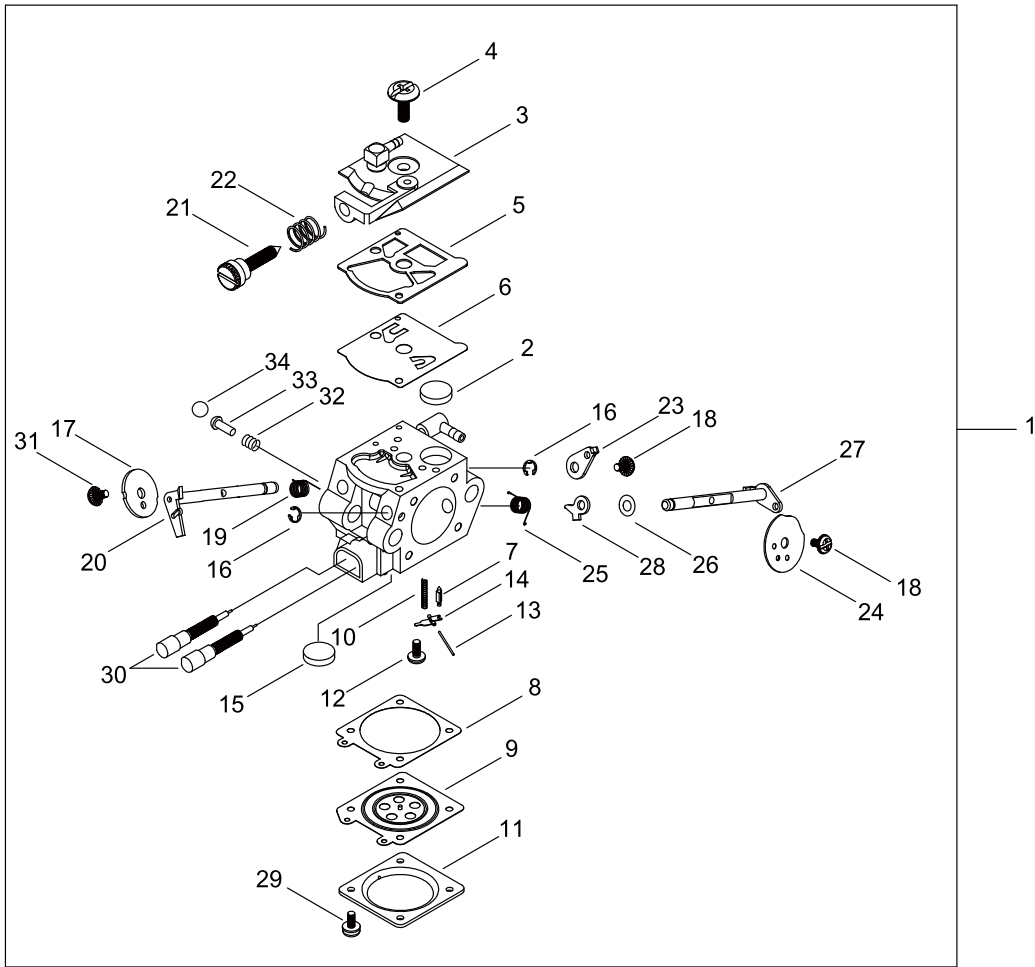
# AIR CLEANER, CARBURETOR



## AIR CLEANER, CARBURETOR

KEY NO	LV(+)	Part No	Description	Qty	Standard	Comment
1		A202-000150	BOOT	1		
2		A206-000030	HOLDER, BELLOWS	1		
3		V359-000200	COLLAR	1		
4		A200-001050	INSULATOR,INTAKE	1		
5		V202-000200	BOLT	2		
6		A021-004410	CARBURETOR, DIAPHRAGM	1	WT-1139 D-CUT	
7		V471-002800	PIPE	1		
8		A226-001580	ELEMENT,AIR FILTER	1		
9	+	A226-001590	ELEMENT,AIR FILTER	1		
10	+	A226-001600	ELEMENT,AIR FILTER	1		
11		A232-001521	LID,CLEANER	1	ID NO.1930	
12		A235-000270	KNOB,CLEANER LID	1		
13		A204-000220	ELBOW, CARBURETOR	1		
14		V581-000280	GASKET	1		
15		V202-000200	BOLT	2		
16		91100-05048	BOLT	2		
17		900600-00005	WASHER 5	2	5	
18		A240-000111	ROD, CHOKE	1		
19		V130-000131	GROMMET,CHOKE	1		
20		C454-000280	ROD,THROTTLE	1		
21		V133-000040	GROMMET	1		

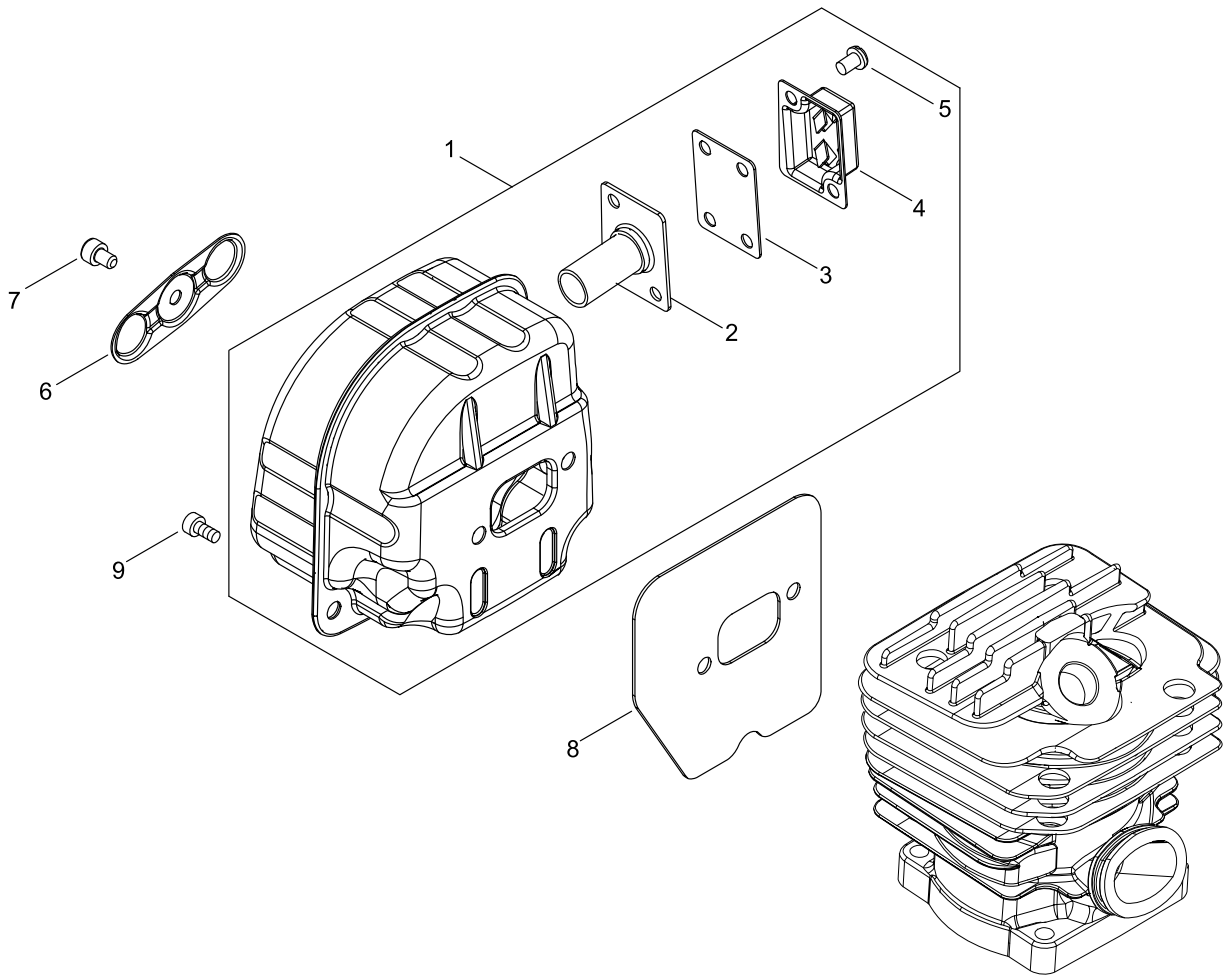
# CARBURETOR



## CARBURETOR

KEY NO	LV(+)	Part No	Description	Qty	Standard	Comment
1		A021-004410	CARBURETOR, DIAPHRAGM	1	WT-1139 D-CUT	
2	+	123126-10631	SCREEN, INLET	1		
3	+	P003-005600	PUMP COVER ASY	1		
4	+	123110-03930	SCREW, PUMP COVER	1		
5	+	123125-15030	GASKET, FUEL PUMP	1		
6	+	123112-15030	DIAPHRAGM, FUEL PUMP	1		
7	+	123137-19830	VALVE, INLET NEEDLE	1		
8	+	123140-03930	GASKET, M. DIAPHRAGM	1		
9	+	P003-001850	DIAPHRAGM, METERING	1		
10	+	123122-03660	SPRING, METER. LEVER	1		
11	+	123142-03930	COVER, M. DIAPHRAGM	1		
12	+	123139-03930	SCREW, M. LEVER PIN	1		
13	+	123138-03930	PIN, METERING LEVER	1		
14	+	123123-03930	LEVER, METERING	1		
15	+	123146-10631	PLUG, WELCH	1		
16	+	123127-15030	RING	2		
17	+	123116-10530	VALVE, THROTTLE	1		
18	+	123114-38830	SCREW	2		
19	+	123113-37530	SPRING, THROTTLE RTN	1		
20	+	P003-005620	SHAFT ASSY	1		
21	+	P003-003650	IDEL SCREW	1		
22	+	123133-04260	SPRING, IDLE ADJUST	1		
23	+	P003-003180	THROTTLE LEVER	1		
24	+	P003-005590	VALVE, CHOKE	1		
25	+	P003-002260	SPRING	1		
26	+	123149-26030	WASHER	1		
27	+	P003-003190	SHAFT	1		
28	+	P003-001510	LEVER-FAST IDLE	1		
29	+	123130-02960	SCREW	4		
30	+	P003-004460	NEEDLE	2		
31	+	P003-002380	SCREW	1		
32	+	123186-09660	SPRING, START VALVE	1		
33	+	123185-09660	PISTON ASSY	1		
34	+	123136-09660	BALL	1		

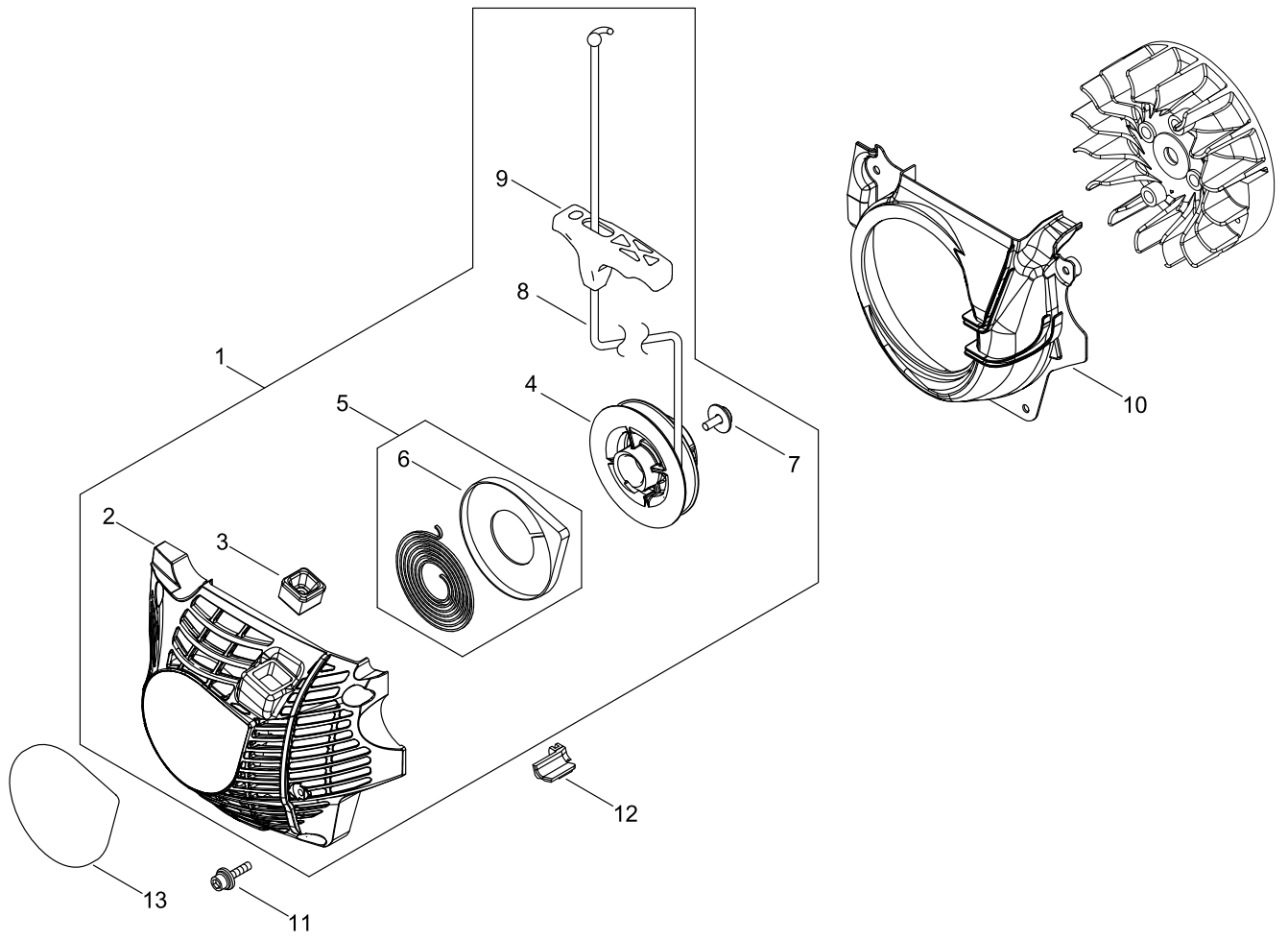
# MUFFLER



## MUFFLER

KEY NO	LV(+)	Part No	Description	Qty	Standard	Comment
1		P021-048660	MUFFLER ASY	1		
2	+	A313-001481	GUIDE, EXHAUST	1		
3	+	A310-000450	SCREEN, ARRESTOR	1		
4	+	A313-002010	GUIDE, EXHAUST	1	ID:2220	
5	+	91578-04006	SCREW	2		
6		A301-000060	PLATE, MUFFLER	1		
7		900105-04006	BOLT, H.S. 4*6	1	4*6	
8		V104-001780	GASKET,EXHAUST	1		
9		V203-002200	BOLT,5	4	M5X18	

# RECOIL STARTER

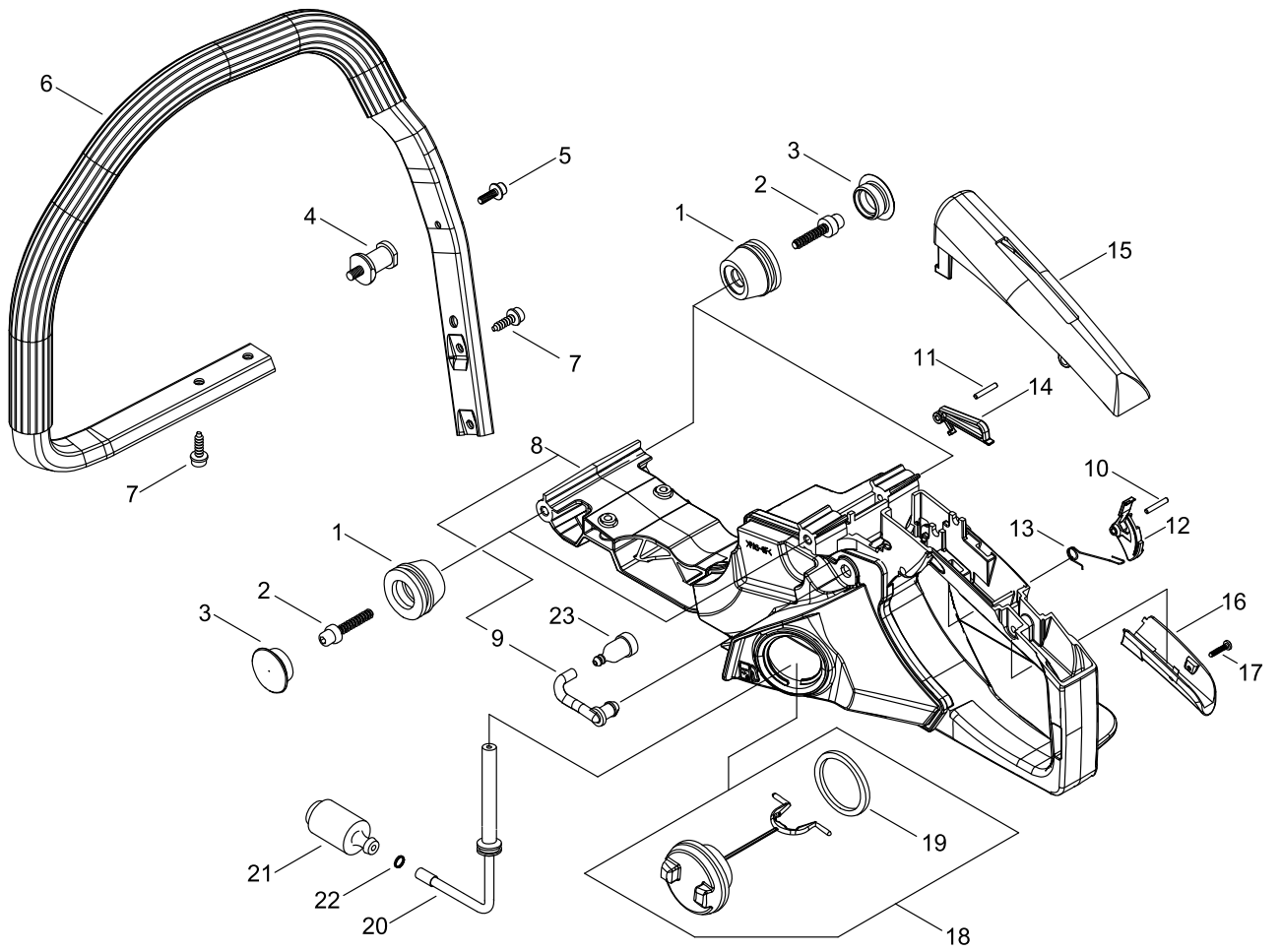


## RECOIL STARTER

KEY NO	LV(+)	Part No	Description	Qty	Standard	Comment
1		A051-002990	STARTER,RECOIL ASY	1		
2	+	P022-039800	CASE, STARTER	1		
3	+	A510-000130	GUIDE,ROPE	1		
4	+	P022-039780	DRUM, STARTER	1		
5	+	A504-000190	RECOIL SPRING ASSY	1		
6	++	P022-039790	SPRING CASE	1		
7	+	177236-06910	SCREW	1		
8	+	P022-023100	ROPE, STARTER	1		
9	+	P022-036780	GRIP, STARTER	1		
10		A172-001870	COVER,FAN	1		
11		V202-000200	BOLT	4		
12		V131-000190	GROMMET,NEEDLE	1		
13		X562-000060	LABEL,SHINDAIWA	1	SHINDAIWA 501SX	



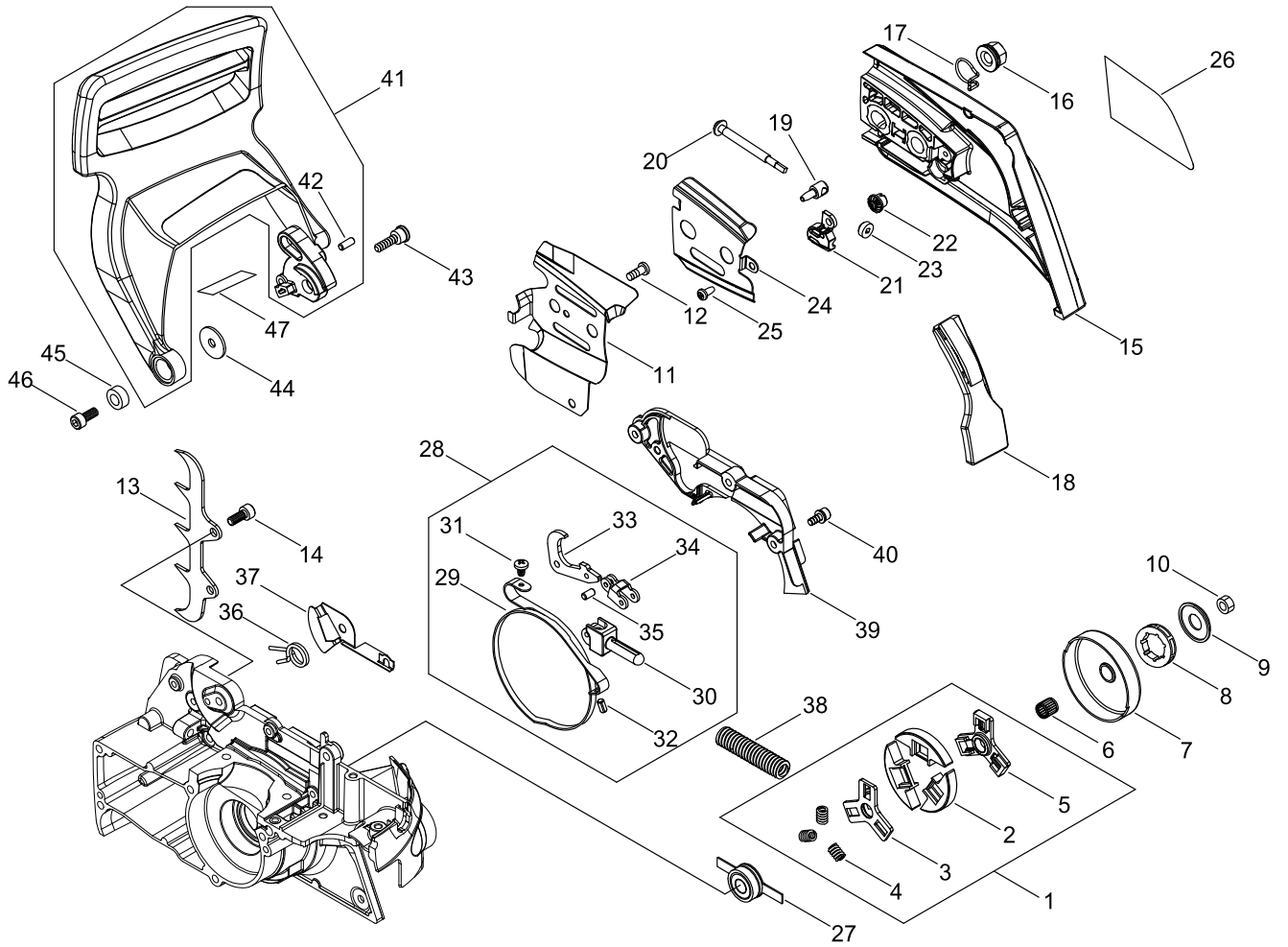
# HANDLE



## HANDLE

KEY NO	LV(+)	Part No	Description	Qty	Standard	Comment
1		V401-000610	CUSHION,5	4		
2		V203-001480	BOLT	4		
3		V421-000070	CAP,CUSHION	4		
4		V401-000330	CUSHION	1		
5		V202-000350	BOLT-SPW	1	M4-14	
6		C040-000830	HANDLE, FRONT	1		
7		V203-001490	BOLT TAPPING	4		
8		P021-048710	HANDLE,ASM REAR	1		
9	+	V470-001530	PIPE	1		
10		93060-40250	PIN, SPRING	1		
11		93042-40220	PIN, SPRING	1		
12		C450-000642	CONTROL, THROTTLE	1		
13		V452-000850	SPRING,TORSION	1		
14		C460-000310	LOCKOUT,THROTTLE	1		
15		C411-000130	LID,HANDLE	1		
16		C403-000530	GRIP	1		
17		91449-04022	SCREW TAPPING	1		
18		A033-000380	CAP,FUEL	1		
19	+	V107-000070	GASKET	1		
20		V470-001520	PIPE	1		
21		A369-000450	STRAINER, FUEL	1		
22		V490-000500	CLIP	1		
23		131300-56431	VENT ASSEMBLY, FUEL	1		

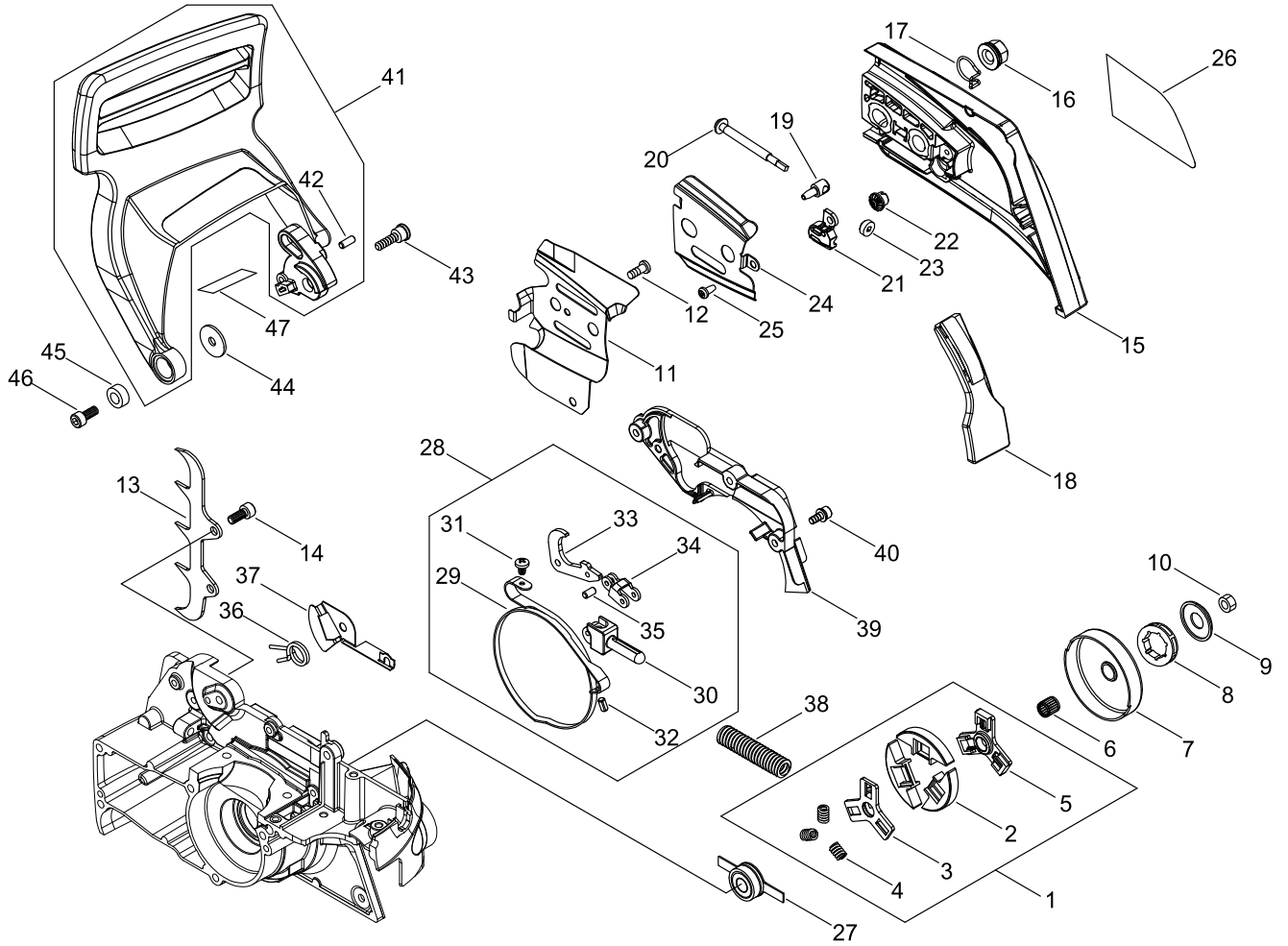
# CHAIN BRAKE



## CHAIN BRAKE

KEY NO	LV(+)	Part No	Description	Qty	Standard	Comment
1		A056-000611	CLUTCH ASY	1		
2	+	A555-000210	SHOE,CLUTCH	3		
3	+	A552-000231	HUB, CLUTCH	1		
4	+	V451-000930	SPRING	3		
5	+	A552-000241	HUB, CLUTCH	1		
6		V555-000150	BEARING,NEEDLE	1		
7		A556-001121	DRUM, CLUTCH	1		
8		175114-12530	SPROCKET, RIM .325	1		
9		V307-000451	WASHER,CIRCULAR 10	1		
10		V265-000211	NUT,8	1		
11		C305-000411	PLATE,SPROCKET GUARD	1		
12		V252-000470	SCREW,4	1		
13		C304-000310	SPIKED	1		
14		900105-05012	BOLT, H.S. 5*12	2	5*12	
15		C300-001060	GUARD,SPROCKET	1		
16		V265-000550	NUT,8	2		
17		C649-000420	HOOK	2		
18		C302-000030	PROTECTOR	1		
19		C309-000190	TENSIONER, CHAIN	1		
20		V203-000021	BOLT,5	1		
21		V355-000840	COLLAR,8	1		
22		V651-001060	GEAR,BEVEL	1		
23		V651-000011	GEAR,BEVEL	1		
24		C305-000470	PLATE,SPROCKET GUARD	1	T=0.5	
25		900253-04008	SCREW 4*8	1	4*8	
26		X562-000070	LABEL,SHINDAIWA	1	SHINDAIWA 501SX	
27		P021-023110	GEAR	1		
28		C328-000210	BAND,BRAKE	1		
29	+	C328-000220	BAND,BRAKE	1		
30	+	C334-000180	CONNECTOR,BRAKE	1		
31	+	91381-04010	SCREW TAPPING	1		
32	+	93042-40100	PIN, SPRING	1		
33	+	C334-000190	CONNECTOR, BRAKE	1		
34	+	C334-000200	CONNECTOR,BRAKE	1		
35	+	900330-30120	PIN	2	3*12	
36		V452-000860	SPRING,TORSION	1		
37		C347-000010	PLATE,BRAKE SEAL	1		
38		V450-001160	SPRING,COIL	1		
39		C345-000580	COVER BRAKE	1		
40		V202-000490	BOLT	3		
41		P021-026933	GUARD COMP	1		
42	+	900330-40080	PIN F 4*8	1	4*8	
43		V203-001470	BOLT,ADHESIVE	1		
44		V303-000320	WASHER,CIRCULAR 5	1		
45		J211-000430	BUSH	1		

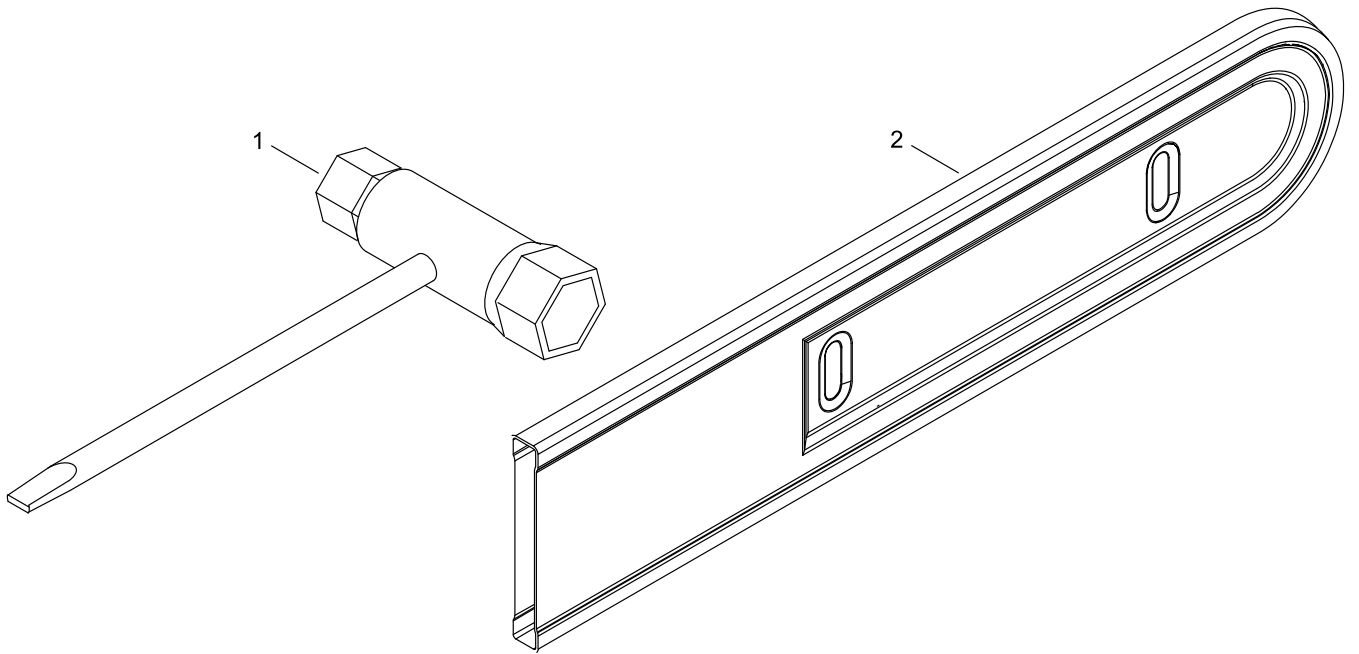
# CHAIN BRAKE



## CHAIN BRAKE

KEY NO	LV(+)	Part No	Description	Qty	Standard	Comment
46		V203-001410	BOLT ADHESIVE	1		
47		V341-000000	WASHER,SQUARE	1		

# ACCESSORIES





## ACCESSORIES

KEY NO	LV(+)	Part No	Description	Qty	Standard	Comment
1		X602-000150	PLUG WRENCH	1		
2		X490-000360	CHAIN COVER	1		



## GUIDE BAR, CHAIN

Pitch ピッチ  (inch) (mm)	Gauge ゲージ  (inch) (mm)	Length 長さ  (cm)	Guide Bar ガイドバー		Saw Chain ソーチェーン		Hard Nose  ハード ノーズ  	Sprocket Nose  スプロケット ノーズ  
			Key №	Type 形式	Key №	Type 形式		
.325 8.26	0.058 1.47	40	A1	40RV58D-325ESD	A2	21BPX-68E		●
.325 8.26	0.058 1.47	45	B1	45RV58D-325ESD	B2	21BPX-72E		●
.325 8.26	0.058 1.47	50	C1	50RV58D-325ESD	C2	21BPX-80E		●

## GUIDE BAR, CHAIN

KEY NO	LV(+)	Part No	Description	Qty	Standard	Comment
A1		X124-000680	BAR,GUIDE 40	1		
A2		431711-38331	CHAIN, SAW	1	21BPX-68E	
B1		X125-000340	BAR,GUIDE 45	1	45RV58D-325ESD	
B2		431717-30231	CHAIN, SAW	1	21BPX-72E	
C1		X126-000280	BAR,GUIDE 50	1	50RV58D-325ESD	
C2		431712-30231	CHAIN, SAW	1	21BPX-80E	

# NUMERICAL PARTS INDEX

Part No	Part description	Page	Part No	Part description	Page	Part No	Part description	Page
123110-0-3930	SCREW, PUMP COVER	10	177236-0-6910	SCREW	14	93115-03-010	KEY	6
123112-1-5030	DIAPHRAGM, FUEL PUMP	10	431711-3-8331	CHAIN, SAW	24	A011-00-1420	CRANKSHAFT,ASY	2
123113-3-7530	SPRING, THROTTLE RTN	10	431712-3-0231	CHAIN, SAW	24	A014-00-0120	RELEASE ASY., COMP.	2
123114-3-8830	SCREW	10	431717-3-0231	CHAIN, SAW	24	A021-00-4410	CARBURETOR, DIAPHRAGM	8
123116-1-0530	VALVE, THROTTLE	10	437239-1-4730	NIPPLE	4	A021-00-4410	CARBURETOR, DIAPHRAGM	10
123122-0-3660	SPRING, METER. LEVER	10	890345-3-9231	LABEL,CAUTION	4	A033-00-0380	CAP,FUEL	16
123123-0-3930	LEVER, METERING	10	900105-0-4006	BOLT, H.S. 4*6	12	A051-00-2990	STARTER,RECOIL ASY	14
123125-1-5030	GASKET, FUEL PUMP	10	900105-0-5012	BOLT, H.S. 5*12	18	A056-00-0611	CLUTCH ASY	18
123126-1-0631	SCREEN, INLET	10	900105-0-5030	BOLT, H.S. 5*30	4	A101-00-0690	RING, PISTON	2
123127-1-5030	RING	10	900212-0-4008	SCREW 4*8	4	A130-00-2280	CYLINDER	2
123130-0-2960	SCREW	10	900253-0-4008	SCREW 4*8	18	A160-00-3070	COVER,CYLINDER	4
123133-0-4260	SPRING, IDLE ADJUST	10	900330-3-0120	PIN	18	A172-00-1870	COVER,FAN	14
123136-0-9660	BALL	10	900330-4-0080	PIN F 4*8	18	A200-00-1050	INSULATOR,INTAKE	8
123137-1-9830	VALVE, INLET NEEDLE	10	900600-0-0005	WASHER 5	4	A202-00-0150	BOOT	8
123138-0-3930	PIN, METERING LEVER	10	900600-0-0005	WASHER 5	8	A204-00-0220	ELBOW, CARBURETOR	8
123139-0-3930	SCREW, M. LEVER PIN	10	900603-0-0004	WASHER 4	4	A206-00-0030	HOLDER, BELLOWS	8
123140-0-3930	GASKET, M. DIAPHRAGM	10	900720-2-0007	O-RING 7	6	A219-00-0040	SHUTTER,AIR	4
123142-0-3930	COVER, M. DIAPHRAGM	10	91100-05-048	BOLT	8	A226-00-1580	ELEMENT,AIR FILTER	8
123146-1-0631	PLUG, WELCH	10	91381-04-010	SCREW TAPPING	18	A226-00-1590	ELEMENT,AIR FILTER	8
123149-2-6030	WASHER	10	91449-04-022	SCREW TAPPING	16	A226-00-1600	ELEMENT,AIR FILTER	8
123185-0-9660	PISTON ASSY	10	91578-04-006	SCREW	12	A232-00-1521	LID,CLEANER	8
123186-0-9660	SPRING, START VALVE	10	93042-40-100	PIN, SPRING	18	A235-00-0270	KNOB,CLEANER LID	8
131300-5-6431	VENT ASSEMBLY, FUEL	16	93042-40-220	PIN, SPRING	16	A240-00-0111	ROD, CHOKE	8
175114-1-2530	SPROCKET, RIM .325	18	93060-40-250	PIN, SPRING	16	A301-00-0060	PLATE, MUFFLER	12

# NUMERICAL PARTS INDEX

Part No	Part description	Page	Part No	Part description	Page	Part No	Part description	Page
A310-00-0450	SCREEN, ARRESTOR	12	C304-00-0310	SPIKED	18	P003-00-3190	SHAFT	10
A313-00-1481	GUIDE, EXHAUST	12	C305-00-0411	PLATE, SPROCKET GUARD	18	P003-00-3650	IDEL SCREW	10
A313-00-2010	GUIDE, EXHAUST	12	C305-00-0470	PLATE, SPROCKET GUARD	18	P003-00-4460	NEEDLE	10
A356-00-0130	VALVE, CHECK	4	C309-00-0190	TENSIONER, CHAIN	18	P003-00-5590	VALVE, CHOKE	10
A369-00-0450	STRAINER, FUEL	16	C310-00-0110	CATCHER, CHAIN	4	P003-00-5600	PUMP COVER ASY	10
A409-00-1151	ROTOR, MAGNETO	6	C328-00-0210	BAND, BRAKE	18	P003-00-5620	SHAFT ASSY	10
A425-00-0000	SPARKPLUG	6	C328-00-0220	BAND, BRAKE	18	P021-02-3110	GEAR	18
A426-00-0040	TERMINAL, SPARKPLUG	6	C334-00-0180	CONNECTOR, BRAKE	18	P021-02-6933	GUARD COMP	18
A427-00-0160	PLUG CAP	6	C334-00-0190	CONNECTOR, BRAKE	18	P021-03-7400	SWITCH, ON OFF	4
A504-00-0190	RECOIL SPRING ASSY	14	C334-00-0200	CONNECTOR, BRAKE	18	P021-03-7431	COIL, IGNITION	6
A510-00-0130	GUIDE, ROPE	14	C345-00-0580	COVER BRAKE	18	P021-04-8650	PISTON KIT	2
A514-00-0220	PAWL	6	C347-00-0010	PLATE, BRAKE SEAL	18	P021-04-8660	MUFFLER ASY	12
A552-00-0231	HUB, CLUTCH	18	C403-00-0530	GRIP	16	P021-04-8700	CRANKCASE SET	4
A552-00-0241	HUB, CLUTCH	18	C411-00-0130	LID, HANDLE	16	P021-04-8710	HANDLE, ASM REAR	16
A555-00-0210	SHOE, CLUTCH	18	C450-00-0642	CONTROL, THROTTLE	16	P022-02-3100	ROPE, STARTER	14
A556-00-1121	DRUM, CLUTCH	18	C454-00-0280	ROD, THROTTLE	8	P022-03-6780	GRIP, STARTER	14
C020-00-0040	CAP	4	C460-00-0310	LOCKOUT, THROTTLE	16	P022-03-9780	DRUM, STARTER	14
C021-00-0050	STRAINER, OIL	4	C649-00-0420	HOOK	18	P022-03-9790	SPRING CASE	14
C022-00-0121	AUTO-OILER ASSEMBLY	4	J211-00-0430	BUSH	18	P022-03-9800	CASE, STARTER	14
C040-00-0830	HANDLE, FRONT	16	P003-00-1510	LEVER-FAST IDLE	10	V100-00-0620	GASKET, CYL	2
C209-00-0070	STRAINER, OIL	4	P003-00-1850	DIAPHRAGM, METERING	10	V102-00-0220	GASKET, CRANKCASE	4
C236-00-0060	COVER, OILER	4	P003-00-2260	SPRING	10	V104-00-1780	GASKET, EXHAUST	12
C300-00-1060	GUARD, SPROCKET	18	P003-00-2380	SCREW	10	V107-00-0070	GASKET	16
C302-00-0030	PROTECTOR	18	P003-00-3180	THROTTLE LEVER	10	V107-00-0090	GASKET	4

# NUMERICAL PARTS INDEX

Part No	Part description	Page	Part No	Part description	Page	Part No	Part description	Page
V130-00-0131	GROMMET,CHOKE	8	V252-00-0470	SCREW,4	18	V470-00-1520	PIPE	16
V131-00-0190	GROMMET,NEEDLE	14	V265-00-0211	NUT,8	18	V470-00-1530	PIPE	16
V133-00-0040	GROMMET	4	V265-00-0220	NUT	6	V470-00-1840	PIPE	4
V133-00-0040	GROMMET	8	V265-00-0550	NUT,8	18	V471-00-2800	PIPE	8
V141-00-0090	GROMMET,PLUG	2	V266-00-0090	NUT,10	4	V475-00-5180	TUBE	6
V141-00-0100	PLUG	4	V303-00-0320	WASHER,CIRCULAR 5	18	V490-00-0500	CLIP	4
V202-00-0200	BOLT	8	V304-00-0270	WASHER,CIRCULAR 6	6	V490-00-0500	CLIP	16
V202-00-0200	BOLT	14	V307-00-0451	WASHER,CIRCULAR 10	18	V505-00-0070	OIL SEAL	4
V202-00-0350	BOLT-SPW	16	V308-00-0040	WASHER,CIRCULAR 11	2	V508-00-0070	OIL SEAL	4
V202-00-0490	BOLT	18	V341-00-0000	WASHER,SQUARE	20	V555-00-0150	BEARING,NEEDLE	18
V202-00-0520	BOLT,4	4	V353-00-0460	BUSH	4	V556-00-0040	BEARING,NEEDLE 11	2
V202-00-0540	BOLT,4	6	V355-00-0460	COLLAR,8	4	V580-00-0030	RING,END	2
V202-00-0690	BOLT,4	4	V355-00-0840	COLLAR,8	18	V581-00-0280	GASKET	8
V203-00-0021	BOLT,5	18	V359-00-0200	COLLAR	8	V592-00-0290	BEARING, BALL	4
V203-00-1320	BOLT ADHESIVE	2	V401-00-0330	CUSHION	16	V592-00-0330	BEARING, BALL	4
V203-00-1410	BOLT ADHESIVE	20	V401-00-0610	CUSHION,5	16	V609-00-0070	PIN,ENG 11	2
V203-00-1450	BOLT	4	V420-00-2780	CUSHION	4	V629-00-0000	ROLLER	4
V203-00-1470	BOLT,ADHESIVE	18	V420-00-4980	CUSHION	4	V651-00-0011	GEAR,BEVEL	18
V203-00-1480	BOLT	16	V421-00-0070	CAP,CUSHION	16	V651-00-1060	GEAR,BEVEL	18
V203-00-1490	BOLT TAPPING	16	V450-00-1160	SPRING,COIL	18	X124-00-0680	BAR,GUIDE 40	24
V203-00-1540	BOLT,ADHESIVE	4	V451-00-0930	SPRING	18	X125-00-0340	BAR,GUIDE 45	24
V203-00-2200	BOLT,5	12	V452-00-0850	SPRING,TORSION	16	X126-00-0280	BAR,GUIDE 50	24
V204-00-0620	BOLT	6	V452-00-0860	SPRING,TORSION	18	X490-00-0360	CHAIN COVER	22
V225-00-0150	BOLT,STUD	4	V452-00-0870	SPRING,TORSION	6	X562-00-0060	LABEL,SHINDAIWA	14

## NUMERICAL PARTS INDEX

Part No	Part description	Page
X562-00-0070	LABEL,SHINDAIWA	18
X602-00-0150	PLUG WRENCH	22