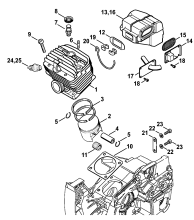
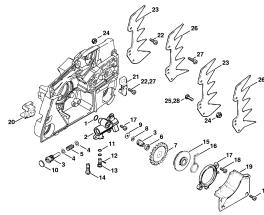


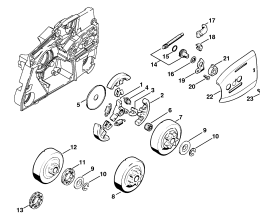
Crankcase



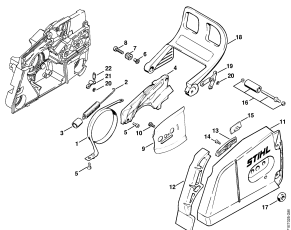
Cylinder, Muffler



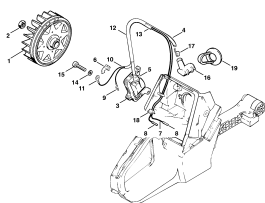
Oil pump



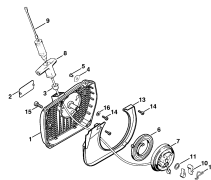
Clutch



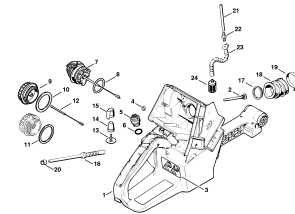
Chain brake



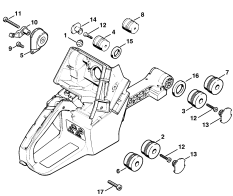
Ignition system



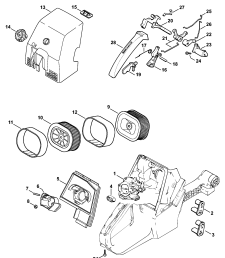
Rewind starter



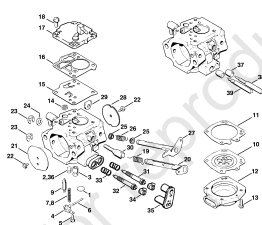
Tank housing



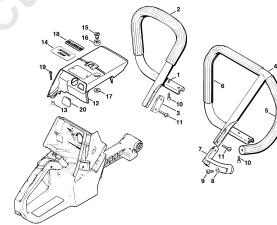
AV system



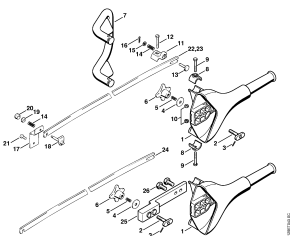
Air filter



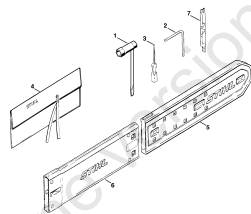
Carburetor HT-12



Handlebar, Shroud



Helper's handle, Chain scabbard



Tools, Extras

**Description**

Crankcase

Cylinder, Muffler

Oil pump

Clutch

Chain brake

Ignition system

Rewind starter

Tank housing

AV system

Air filter

Carburetor HT-12

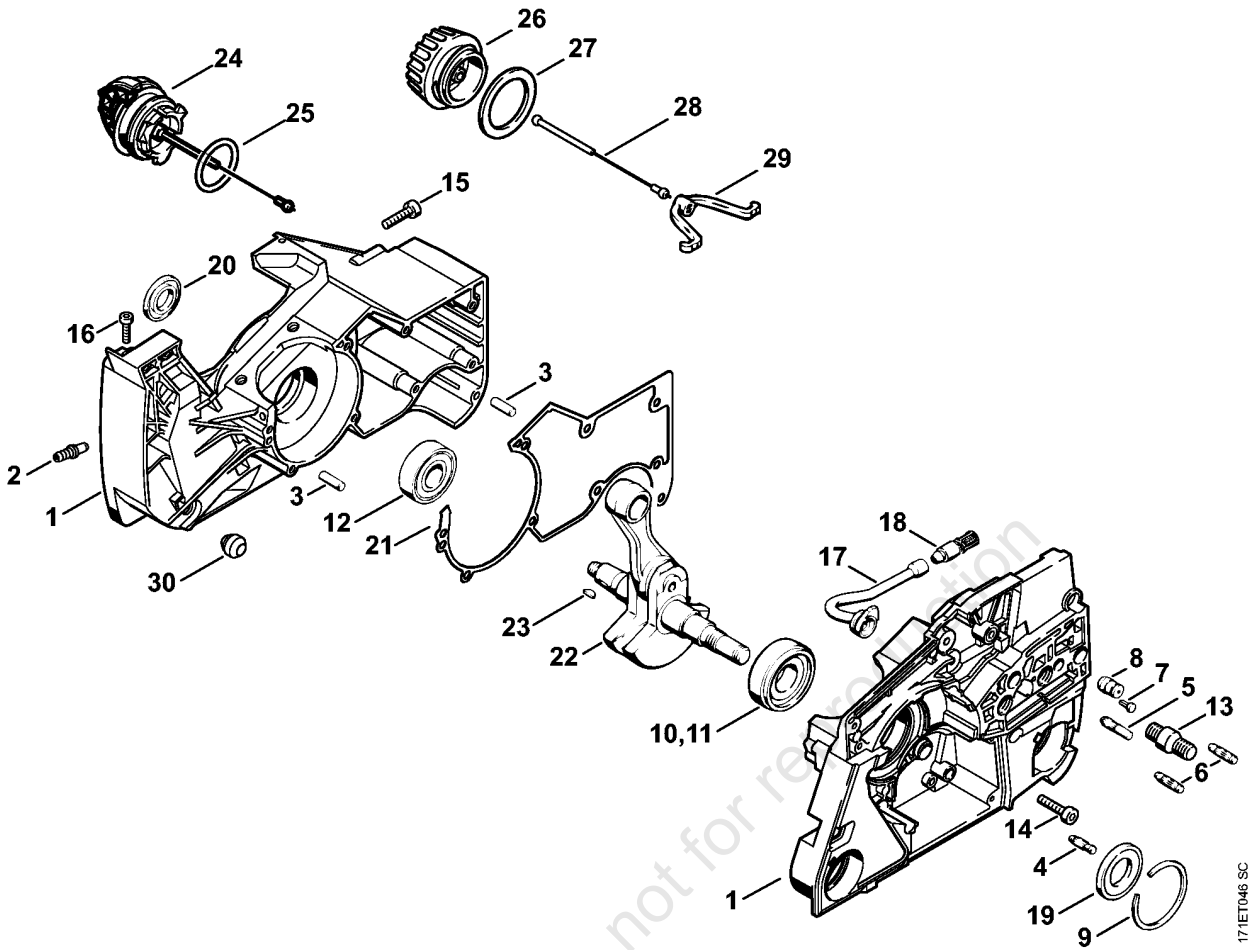
Handlebar, Shroud

Helper's handle, Chain scabbard

Tools, Extras

online version, not for reproduction

**Crankcase**



(1) 088, (2) 088 R

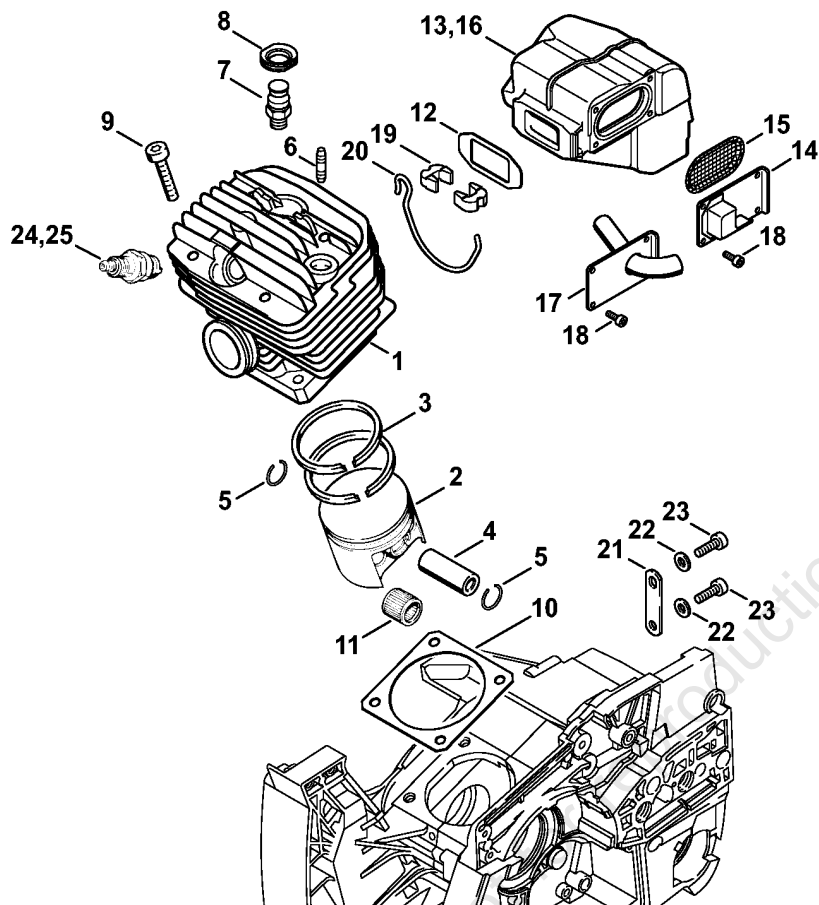
## Crankcase

Reference	Item number	Qty	Description	Contains	Up to	Technical Information
1	1124 020 2116	1	Crankcase	2 - 10, 12 - 16, 24, 25		
2	0000 988 5215	1	Connector			
3	9371 470 2610	2	Cylindrical pin 5x18			
4	1120 162 5200	1	Pin			
5	1121 162 5205	1	Pin			
6	1121 162 5200	2	Pin			
7	0000 974 1200	1	Notched pin 2.6x8			
8	1124 640 9100	1	Valve			
9	9465 620 2720	1	Snap ring 47			
10	9523 003 4386	1	Grooved ball bearing 20x47x15			
11	* 9523 003 4385	1	Grooved ball bearing 20x47x15		154603854	
12	9503 003 6676	1	Grooved ball bearing 6203			
13	1124 664 2406	2	Collar screw			
14	9022 371 1050	8	Spline screw IS- M5x25			
15	9022 341 1310	2	Spline screw IS- M6x18			
16	9022 341 0980	2	Spline screw IS- M5x16			
17	1124 647 9400	1	Hose			
18	1117 640 3800	1	Pickup body			
19	9640 003 2250	1	Oil seal B20x39x4			
20	9640 003 1855	1	Oil seal 17x32.9x5			
21	1124 029 0510	1	Gasket			
22	1124 030 0404	1	Crankshaft	23		25.2005
23	1120 036 8500	1	Woodruff key 2x3.7			
24	0000 350 0533	1	Filler cap	25		
25	9645 948 7734	1	O-ring 25x3.5			
26	* 0000 350 0520	1	Filler cap	27 - 29		
27	* 0000 359 1220	1	Sealing ring			
28	* 0000 350 0900	1	Rope			
29	* 0000 353 0600	1	Hook			
30	1125 791 2810	1	Stop buffer			

**Crankcase**

Reference	Item number	Qty	Description	Contains	Up to	Technical Information
	1124 007 1051	1	Set of gaskets 088	19 - 21		

online version, not for reproduction



216ET034 SC

## Cylinder, Muffler

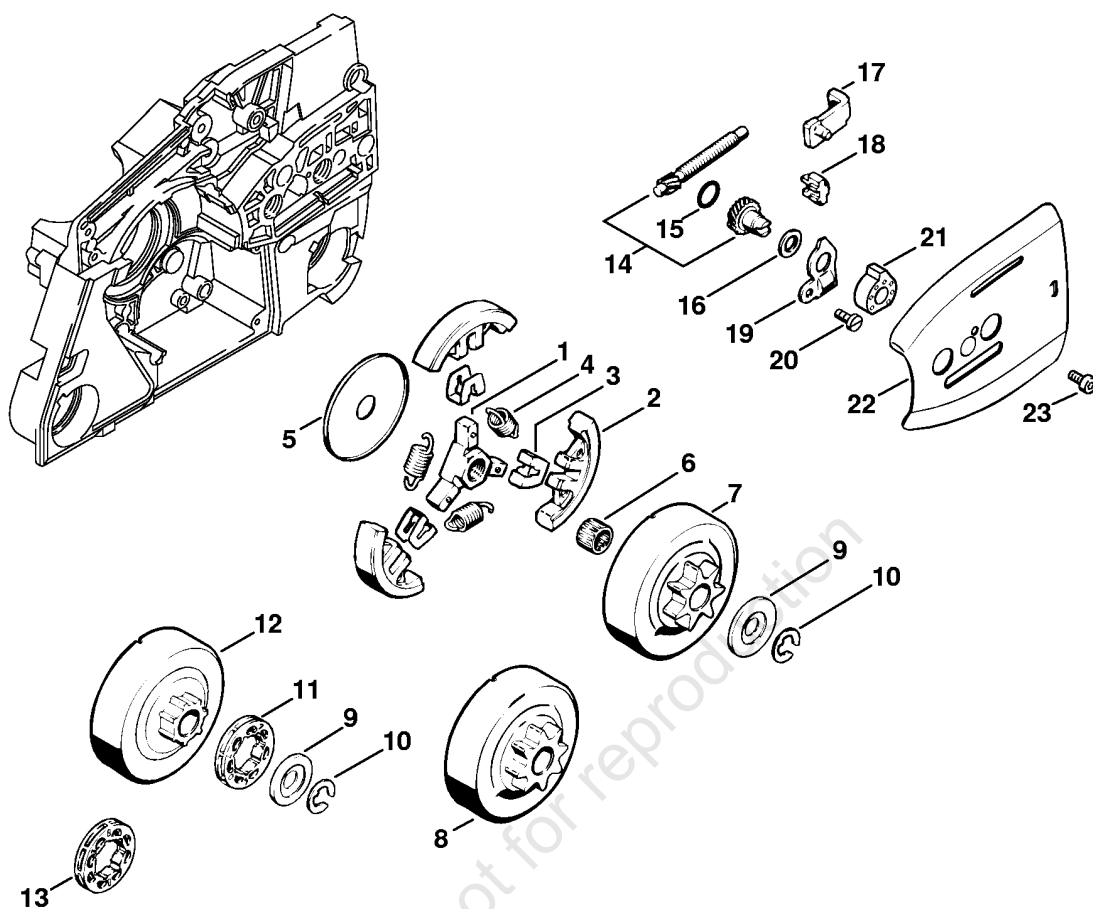
Reference	Item number	Qty	Description	Contains
1	1124 020 1207	1	Cylinder with piston Ø 60 mm	2 - 6
2	1124 030 2007	1	Piston Ø 60 mm	3 - 5
3	1124 034 3010	2	Piston ring Ø 60x1.2 mm	
4	1124 034 1500	1	Piston pin 13x8x39	
5	9463 650 1300	2	Snap ring 13x1	
6	0000 953 0818	1	Stud M5	
7	1124 020 9410	1	Decompression valve	
8	1122 084 1405	1	Cover	
9	9022 341 1370	4	Spline screw IS-M6x30	
10	1124 029 2310	1	Cylinder gasket	
11	9512 003 3440	1	Needle cage 13 x17x17.5	
12	1124 149 0610	1	Muffler gasket	
13	1124 140 0625	1	Muffler USA, CDN, AUS, NZ	14, 15, 18, 21 - 23
14	1124 145 2905	1	Muffler cover USA, CDN, AUS, NZ	
15	1124 141 9005	1	Screen USA, CDN, AUS, NZ	
16	1124 140 0620	1	Muffler	17, 18, 21 - 23
17	1124 145 2900	1	Muffler cover	
18	9022 313 0660	4	Spline screw IS-M4x12	
19	1124 145 1905	2	Tension wedge	
20	1124 145 1800	1	Tension spring	
21	1124 145 2005	2	Support	
22	9291 021 0120	4	Washer 5.3	
23	9022 341 0980	4	Spline screw IS-M5x16	
24	1110 400 7005	1	Spark plug Bosch WSR 6 F	
25	0000 400 7000	1	Spark plug NGK BPMR7A	
	1124 007 1051	1	Set of gaskets 088	10, 12





## Oil pump

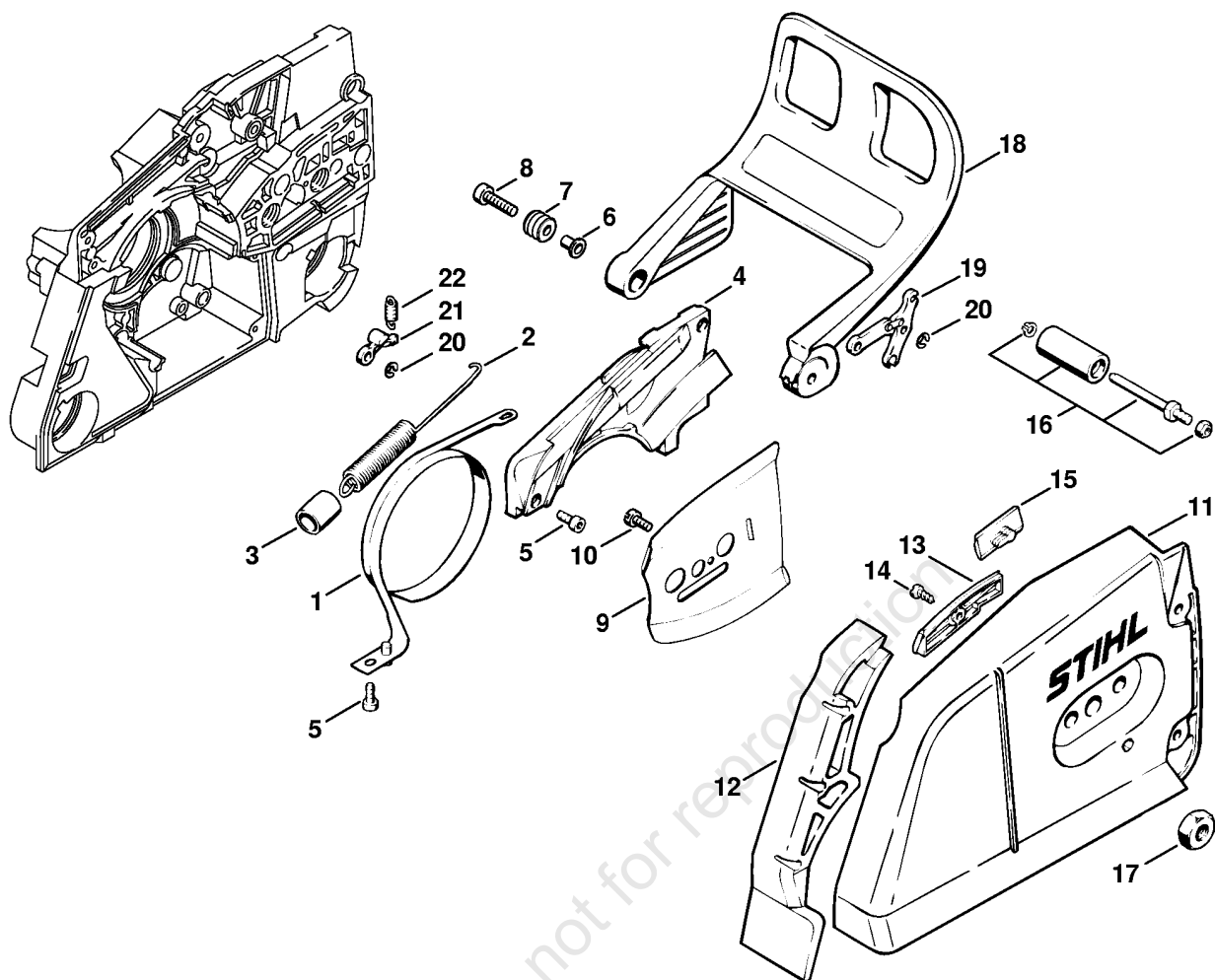
Reference	Item number	Qty	Description	Contains	Technical Information
1	1122 649 5000	1	Sealing ring B4x2		
2	1124 640 3201	1	Oil pump adjustable (1.75 mm stroke)	3 - 13	
3	1124 007 1029	1	Set pump piston with worm	4 - 8	
4	0000 958 0706	2	Washer		
5	0000 997 0842	1	Compression spring		
6	9643 003 0910	1	Sealing ring 10x14x3		
7	1119 647 1800	1	Spur gear		
8	0000 958 0402	1	Washer		
9	1124 647 7810	1	Washer		
10	0000 988 6220	1	Plug		
11	9646 945 0160	2	O-ring 4x2		
12	9380 620 1090	1	Roll pin 2x10		
13	1124 647 4801	1	Control bolt		
14	* 1124 647 4805	1	Control bolt		58.2006
15	1124 640 7512	1	Spur gear	16	
16	1124 647 2400	1	Spring		
17	1124 021 1100	1	Cover		
18	9022 313 0660	8	Spline screw IS-M4x12		
19	1124 021 1115	1	Cover		
20	1124 791 2800	1	Stop buffer		
21	1124 664 3600	1	Deflector		
22	9022 341 1280	2	Spline screw IS-M6x16		
23	1124 664 0501	2	Bumper spike		
24	9214 320 0900	3	Lock nut M6		
25	9008 319 1270	2	Hexagon head screw M6x14		
26	1124 664 0506	2	Bumper spike USA, CDN, AUS, NZ		
27	9022 341 1310	2	Spline screw IS-M6x18 USA, CDN, AUS, NZ		
28	9008 319 1280	2	Hexagon head screw M6x16 USA, CDN, AUS, NZ		



216ET006 TG

## Clutch

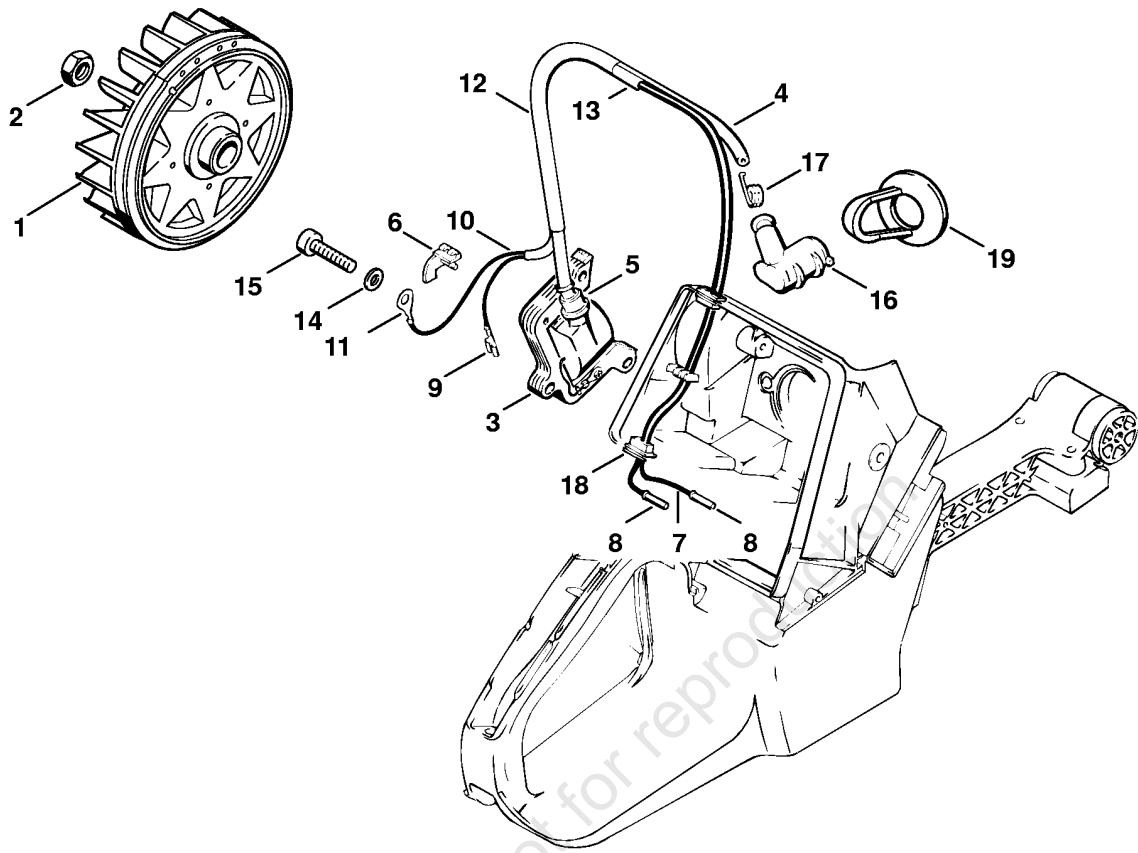
Reference	Item number	Qty	Description	Contains
	1124 160 2005	1	Clutch	1 - 4
1	1124 162 3205	1	Carrier	
2	1124 162 0805	3	Clutch shoe	
3	1124 162 3000	3	Retainer	
4	0000 997 5818	3	Tension spring	
5	1124 162 8900	1	Washer	
6	9512 933 3170	1	Needle cage 12x17x13	
7	1124 640 2005	1	Chain sprocket 0.404" 7T (B)	
8	1124 640 2004	1	Chain sprocket 3/8" 8T (B)	
9	0000 958 1236	1	Washer	
10	9460 624 1001	1	E-clip 10x1.5	
	1124 007 1024	1	Rim sprocket kit 0.404" 7T	9 - 12
11	0000 642 1207	1	Rim sprocket 0.404" 7T	
12		1	Clutch drum (D)	
	1124 007 1025	1	Rim sprocket kit 3/8" 8T (B)	9, 10, 12, 13
13	0000 642 1216	1	Rim sprocket 3/8" 8T (B)	
14	1124 007 1008	1	Spur gear / chain adjusting screw kit	15
15	9646 945 0490	1	O-ring 7x1.5	
16	1124 664 4400	1	Brake washer	
17	1124 640 1900	1	Tensioner slide	
18	1124 664 1400	1	Thrust pad	
19	1124 664 2210	1	Cover plate	
20	9041 216 0630	2	Pan head screw M4x8	
21	1124 664 4500	1	Support	
22	1124 664 1001	1	Inner side plate	
23	9022 313 0630	1	Spline screw IS-M4x8	



171ET025 GM

## Chain brake

Reference	Item number	Qty	Description	Contains
1	1124 160 5400	1	Brake band	
2	1124 160 5500	1	Tension spring	3
3	1125 162 8002	1	Hose 20 mm / 13/16"	
4	1124 021 1120	1	Cover	
5	9022 313 0660	3	Spline screw IS-M4x12	
6	1124 792 5500	1	Bushing	
7	1124 792 5505	1	Bushing	
8	9022 341 1080	1	Spline screw IS-M5x35	
9	1124 664 1100	1	Outer side plate	
10	9039 488 0340	1	Self-tapping screw M3x8	
11	1124 640 1702	1	Chain sprocket cover	12 - 14
12	1124 656 1505	1	Guard	
13	1124 656 2800	1	Cover plate	
14	9099 021 2770	1	Self-tapping screw 3.9x13	
15	1121 648 6610	2	Bumper strip	
16	1124 650 7700	1	Chain catcher	
17	0000 955 0903	2	Nut M10	
18	1124 792 9110	1	Hand guard	
19	1124 160 5000	1	Lever	
20	9460 624 0400	2	E-clip 4	
21	1121 162 5010	1	Lever	
22	0000 997 0628	1	Spring	

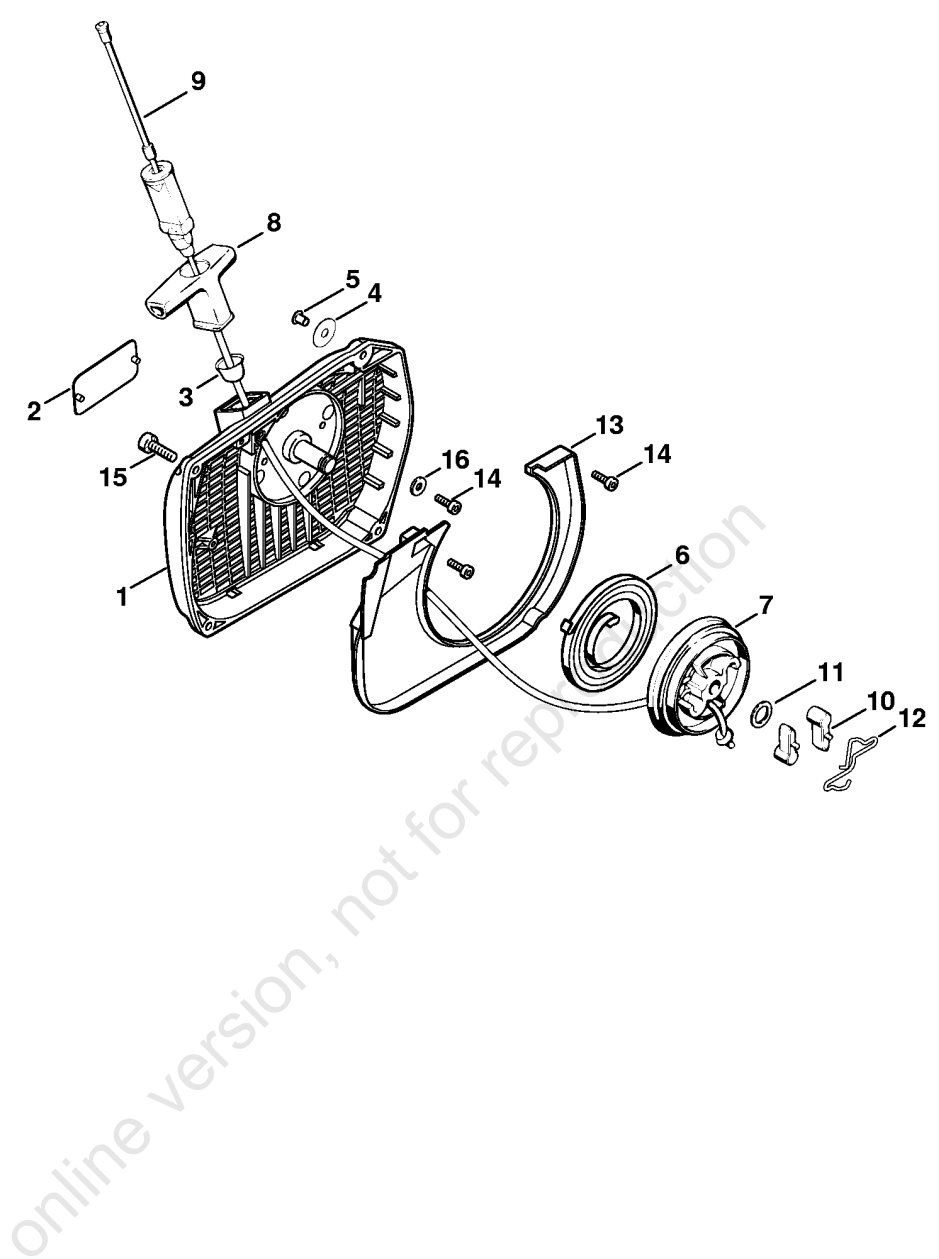


online version, not for reproduction

171ET038 TG

## Ignition system

Reference	Item number	Qty	Description	Contains	Technical Information
1	1124 400 1210	1	Flywheel		25.2005
2	9211 260 1340	1	Hexagon nut M10x1		
3	1124 400 1309	1	Ignition module EY-V	4 - 6	
4		1	Ignition lead 200 mm (D)		
	0000 405 0600	1	Ignition lead 1 m (B)		
	0000 930 2251	1	Ignition lead 10 m (B)		
5	0000 989 1010	1	Grommet		
6	1125 448 1201	1	Lead retainer		
7	1124 440 1101	1	Short circuit wire	8, 9	
8	1119 442 7000	1	Contact sleeve (C)		
9	0751 030 8953	1	Terminal socket 4.8-1 (C)		
10	1124 440 2200	1	Ground wire	8, 11	
11	0751 030 8969	1	Terminal socket A5-1.5 (C)		
12	1121 405 8001	1	Insulating hose 90 mm / 3.5"		
13	1124 442 0400	1	Insulating hose 160 mm / 6.3"		
14	9291 021 0120	3	Washer 5.3		
15	9022 371 1050	3	Spline screw IS-M5x25		
16	1128 405 1000	1	Spark plug boot		
17	0000 998 0604	1	Spark plug contact spring		
18	0000 989 1004	2	Grommet		
19	1128 084 1400	1	Spark plug boot cover		

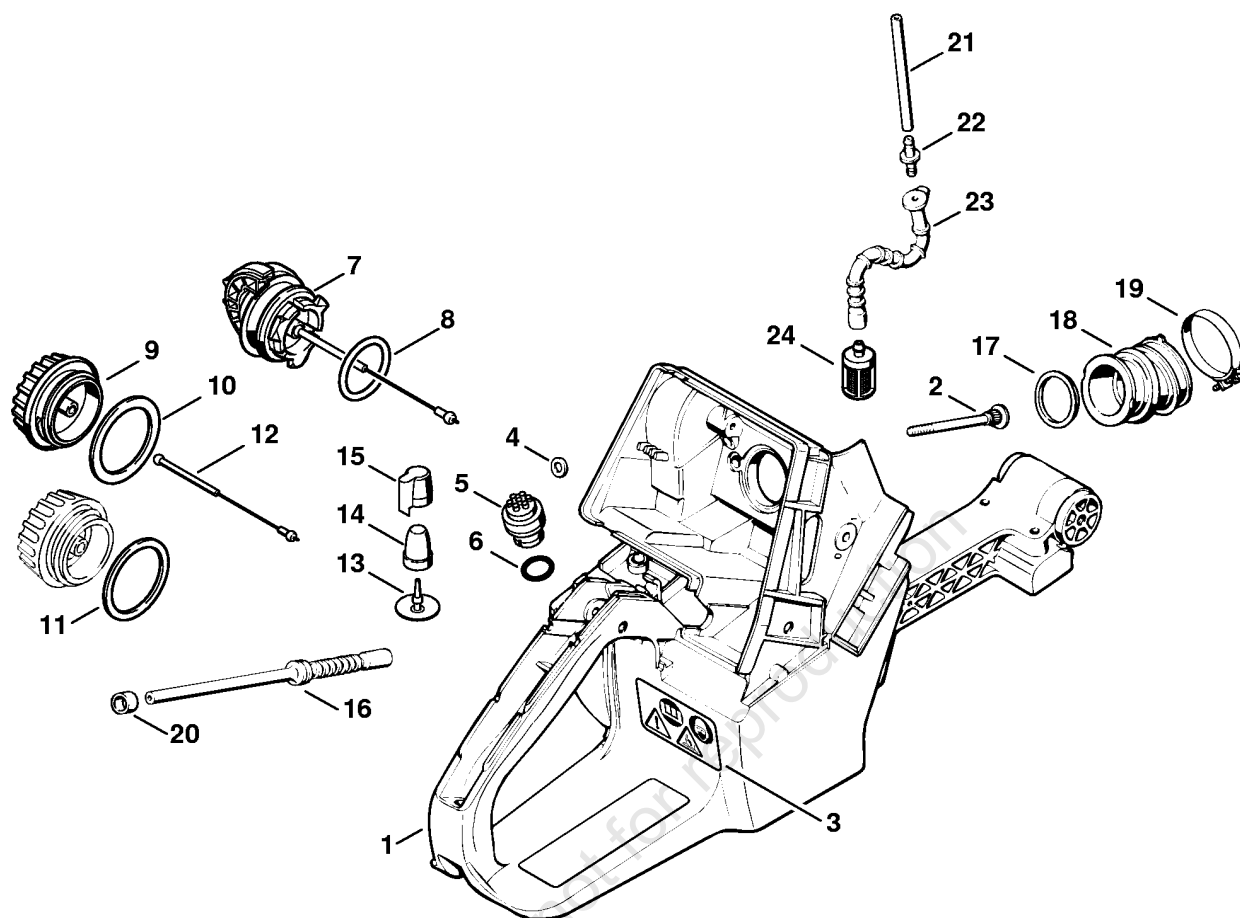


171ET006 GM



## Rewind starter

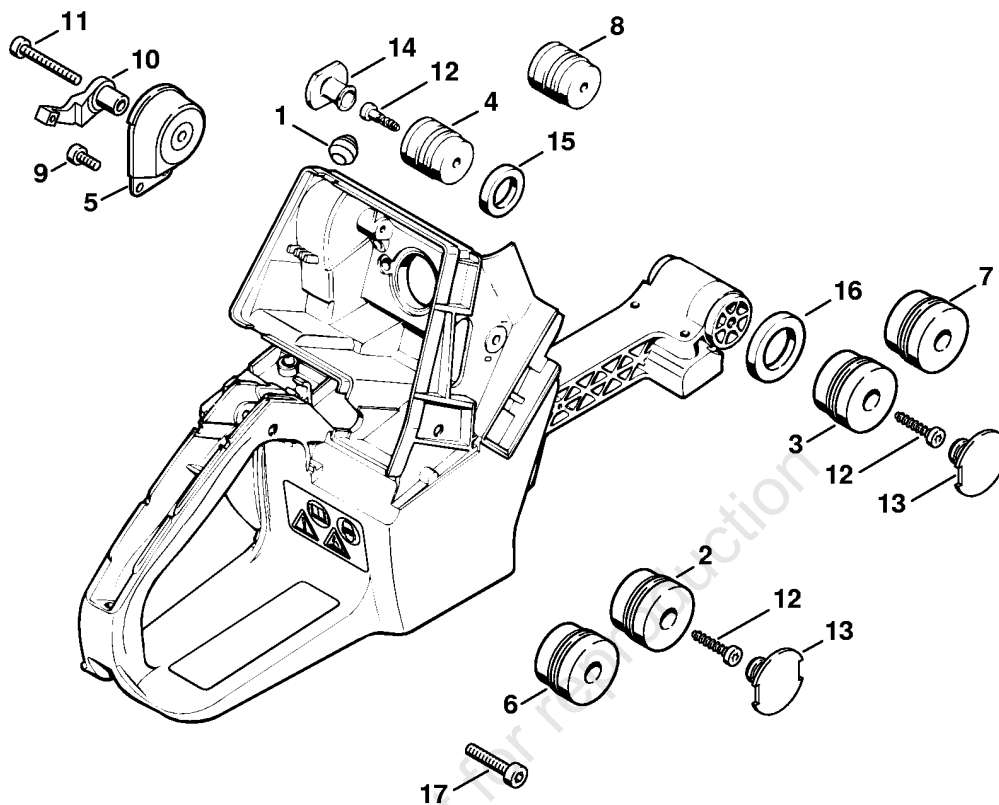
Reference	Item number	Qty	Description	Contains
	1124 080 2110	1	Fan housing with rewind starter	1 - 14, 16
1	1124 080 1810	1	Fan housing	2 - 5
2	0000 967 2035	1	Nameplate STIHL	
3	1110 084 9102	1	Bushing	
4	0000 958 0607	1	Washer	
5	9416 868 6530	1	Hollow rivet 6.5x0.5x6.8	
6	1124 190 0605	1	Rewind spring	
7	1124 195 0400	1	Rope rotor	
8	1122 190 3400	1	Starter grip ElastoStart Ø 4,5 mm	9
9	1122 190 2900	1	Starter rope Ø 4.5 mm	
	0000 930 2268	1	Starter rope Ø 4.5mm / 28 pieces (B)	
10	1124 195 7200	2	Pawl	
11	1119 162 8925	1	Washer Ø 12 mm	
12	1124 195 3500	1	Spring	
13	1124 084 7810	1	Segment	
14	9022 313 0660	3	Spline screw IS-M4x12	
15	9022 371 1020	3	Spline screw IS-M5x20	
16	9307 021 0100	1	Washer 4.3	



171ETC42.SC

## Tank housing

Reference	Item number	Qty	Description	Contains
1	1124 350 0823	1	Tank housing	2 - 8
2	1124 122 6610	2	Collar screw	
3	0000 967 7247	1	Warning pictogram MS	
4	0000 958 0513	2	Washer	
5	0000 350 5800	1	Tank vent	6
6		1	O-ring (D)	
7	0000 350 0533	1	Filler cap	8
8	9645 948 7734	1	O-ring 25x3.5	
9	* 0000 350 0509	1	Filler cap	10, 12
10	* 0000 359 1203	1	Sealing ring	
11	* 0000 359 1230	1	Sealing ring	
12	* 0000 350 0900	1	Rope	
13	* 1110 353 1600	1	Valve	
14	* 1121 358 1800	1	Filter	
15	* 1121 358 2500	1	Cap	
16	1124 141 8603	1	Impulse hose	
17	1124 141 1800	1	Sleeve	
18	1124 141 2201	1	Manifold	
19	9771 021 2630	1	Hose clip 38x7	
20	1125 647 8200	1	Sleeve	
21		1	Hose 3.1x5.7x130 mm, R5 (D)	
	0000 937 5004	1	Hose 3.1x5.7 mm x 1 m R5 (A,B)	
22	1124 122 3900	1	Connector	
23	1124 358 7700	1	Hose	
24	0000 350 3518	1	Pickup body	

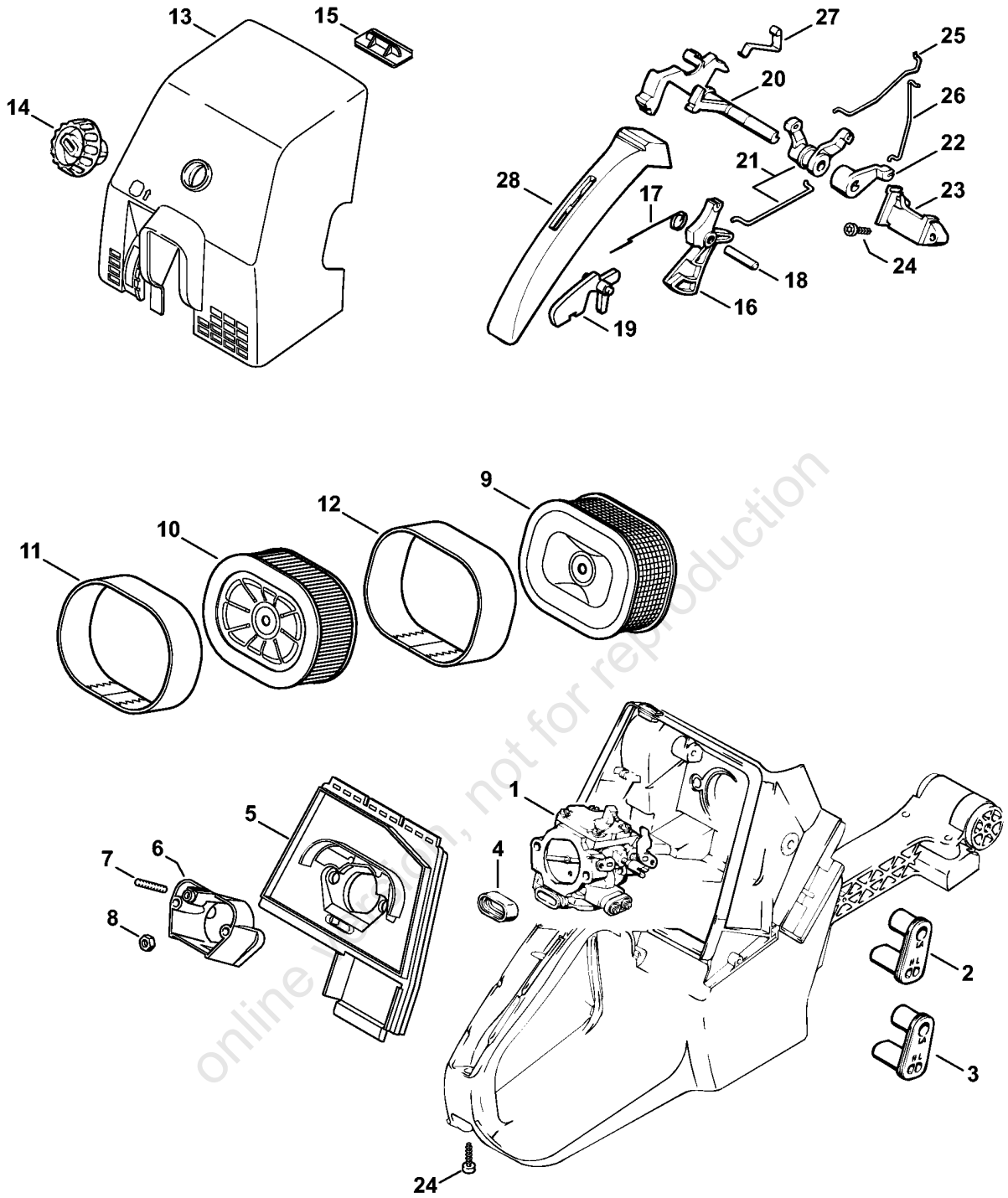


online version, not for production

171ET044 SC

## AV system

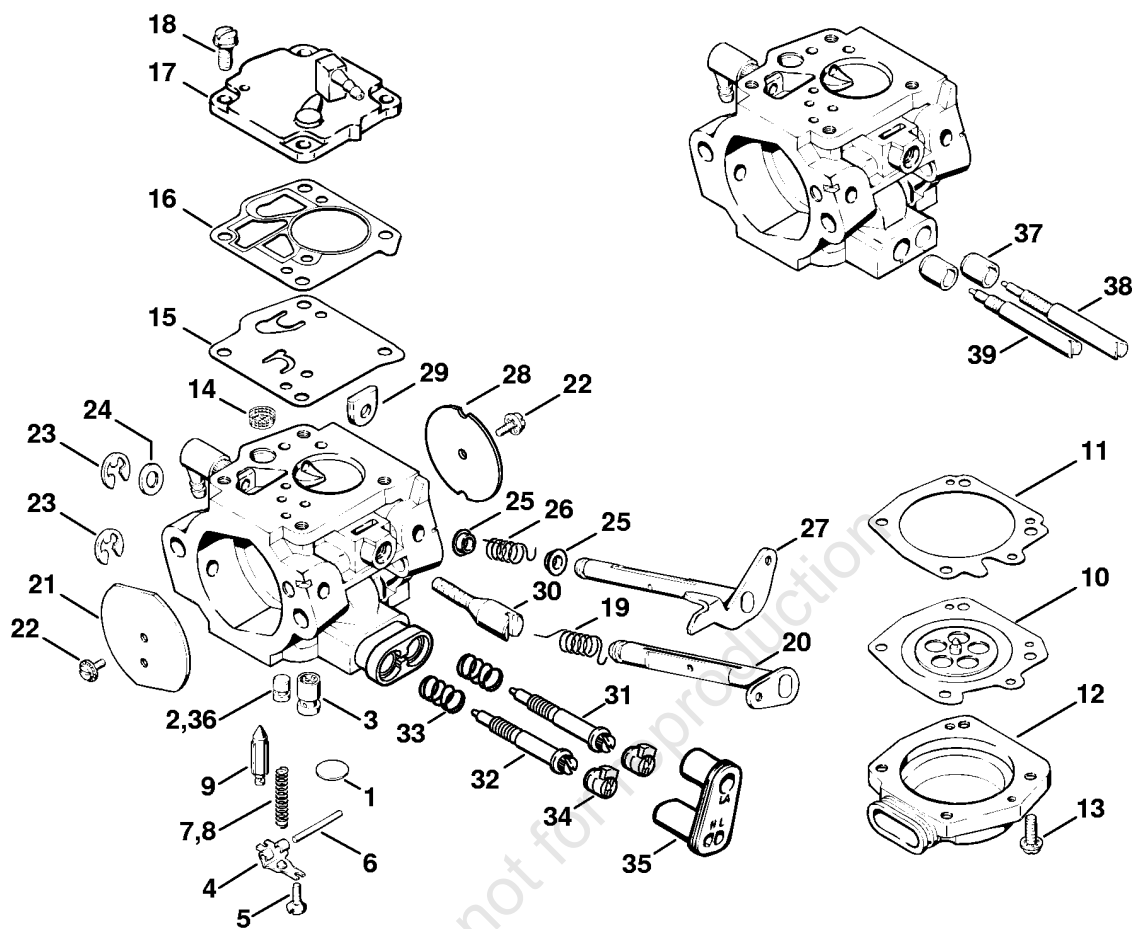
Reference	Item number	Qty	Description
1	1125 791 2810	1	Stop buffer
		1	AV system normal:
2	1124 790 9900	1	Annular buffer
3	1124 790 9901	1	Annular buffer (1)
4	1121 790 9912	1	Annular buffer (1)
5	1124 790 9920	1	Annular buffer
		1	AV system hard:
5	1124 790 9920	1	Annular buffer
6	1124 790 9908	1	Annular buffer (2)
7	1124 790 9900	1	Annular buffer
8	1124 790 9905	1	Annular buffer (2)
9	9022 341 0960	2	Spline screw IS-M5x12
10	1124 791 7605	1	Support
11	9022 341 1400	1	Spline screw IS-M6x40
12	9074 478 4435	3	Pan head self-tapping screw IS-P6x19
13	1124 791 7300	2	Plug
14	1119 791 7306	1	Plug
15	1119 791 8400	1	Ring
16	1124 791 8400	1	Ring
17	* 9022 341 1370	1	Spline screw IS-M6x30



(1) 088, (2) 088 R

## Air filter

Reference	Item number	Qty	Description	Contains	Technical Information
1	1124 120 0609	1	Carburetor HT-12E		
2	1124 123 7501	1	Grommet		
3	* 1124 123 7500	1	Grommet		
4	1124 121 9100	1	Bushing		
5	1124 124 3420	1	Filter base		
6	1124 120 2200	1	Flange	7	
7	9121 319 0960	1	Stud M5x12x9		
8	9216 261 0700	2	Hexagon nut M5		
9	0000 120 1653	1	Air filter, wire mesh (B)		
10	0000 140 4402	1	Air filter HD2		
11	0000 141 0601	1	Prefilter (B)		
12	* 0000 141 0300	1	Prefilter		47.2010
13	1124 141 0510	1	Filter cover		
14	1124 140 9500	1	Twist lock		
15	1128 141 4001	1	Slide		
16	1124 182 1000	1	Throttle trigger		
17	1117 182 4500	1	Torsion spring		
18	9371 470 2640	1	Cylindrical pin 5x24		
19	1117 182 0805	1	Lockout lever		
20	1124 182 0900	1	Switch shaft		
21	1124 180 4050	1	Double lever		
22	1124 185 2000	1	Choke lever		
23	1124 182 4400	1	Mount		
24	9074 478 3076	2	Pan head self-tapping screw IS-P4x19		
25	1124 182 1505	1	Throttle rod		
26	1124 185 1900	1	Choke rod		
27	1124 442 1600	1	Contact spring		
28	1124 791 0600	1	Handle molding		



171ET040 SC



## Carburetor HT-12

Reference	Item number	Qty	Description	Contains
	1124 120 0609	1	Carburetor HT-12E	1 - 7, 9 - 34
1	1110 122 9410	1	Plug	
2	1124 121 5604	1	Fixed jet 1.04	
3	1124 121 5405	1	Valve jet	
4	1124 121 5000	1	Inlet control lever	
5	1110 122 7800	1	Oval head screw	
6	1110 121 9200	1	Spindle	
7	1124 122 3001	1	Spring	
8	* 1124 122 3000	1	Spring	
9	1110 121 5100	1	Inlet needle	
10	1110 121 4700	1	Metering diaphragm	
11	1110 129 0900	1	Gasket	
12	1124 121 0803	1	End cover	
13	1124 122 7102	4	Screw	
14	4221 121 7800	4	Strainer	
15	1124 121 4800	1	Pump diaphragm	
16	1110 129 1110	1	Gasket	
17	1124 121 0802	1	End cover	
18	1110 122 7700	4	Oval head screw	
19	1124 122 3200	1	Torsion spring	
20	1124 120 7200	1	Choke shaft with lever	
21	1124 121 2900	1	Choke shutter	
22	1110 122 7400	2	Round head screw	
23	1110 122 9005	2	E-clip	
24	1124 121 8600	1	Washer	
25	4221 122 9100	2	Bushing	
26	1124 122 3202	1	Torsion spring	
27	1124 120 7100	1	Throttle shaft with lever	
28	1124 121 3301	1	Throttle shutter	
29	1124 121 7700	1	Clamp	
30	1124 122 6200	1	Idle speed screw	
31	1124 122 6803	1	Low speed screw	
32	1124 122 6703	1	High speed screw	
33	1110 122 3030	2	Spring	
34	1124 121 2700	2	Cap	
35	1124 123 7501	1	Grommet	
36	1124 121 5603	1	Fixed jet 1.00 (B) High altitude	
	1124 007 1060	1	Set of carburetor parts	10, 11, 15, 16

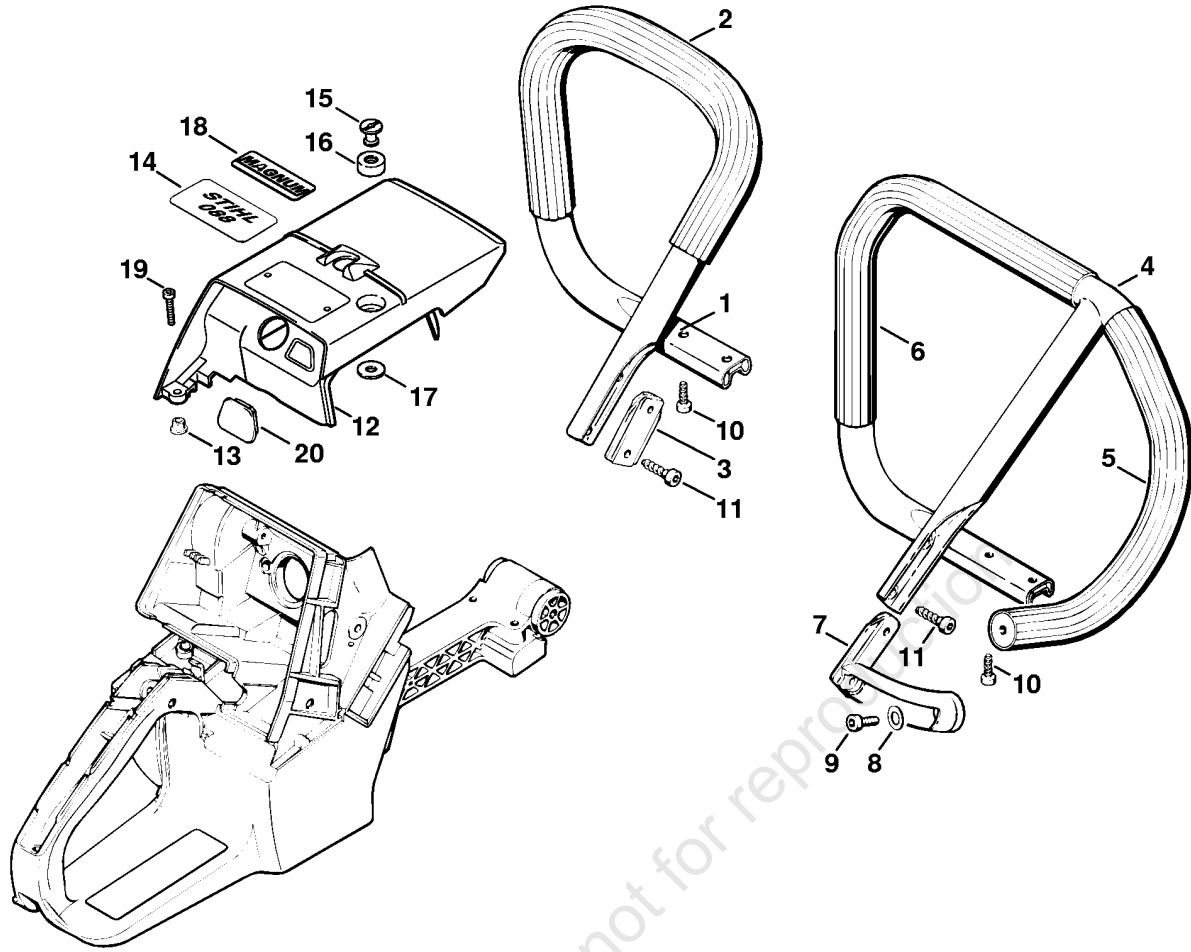
(1) 088, (2) 088 R

**Carburetor HT-12**

Reference	Item number	Qty	Description	Contains
	*	1	Carburetor HT-11D (C)	
37	* 1124 122 5400	2	Sleeve	
38	* 1124 122 6802	1	Low speed screw	
39	* 1124 122 6702	1	High speed screw	

online version, not for reproduction

**Handlebar, Shroud**

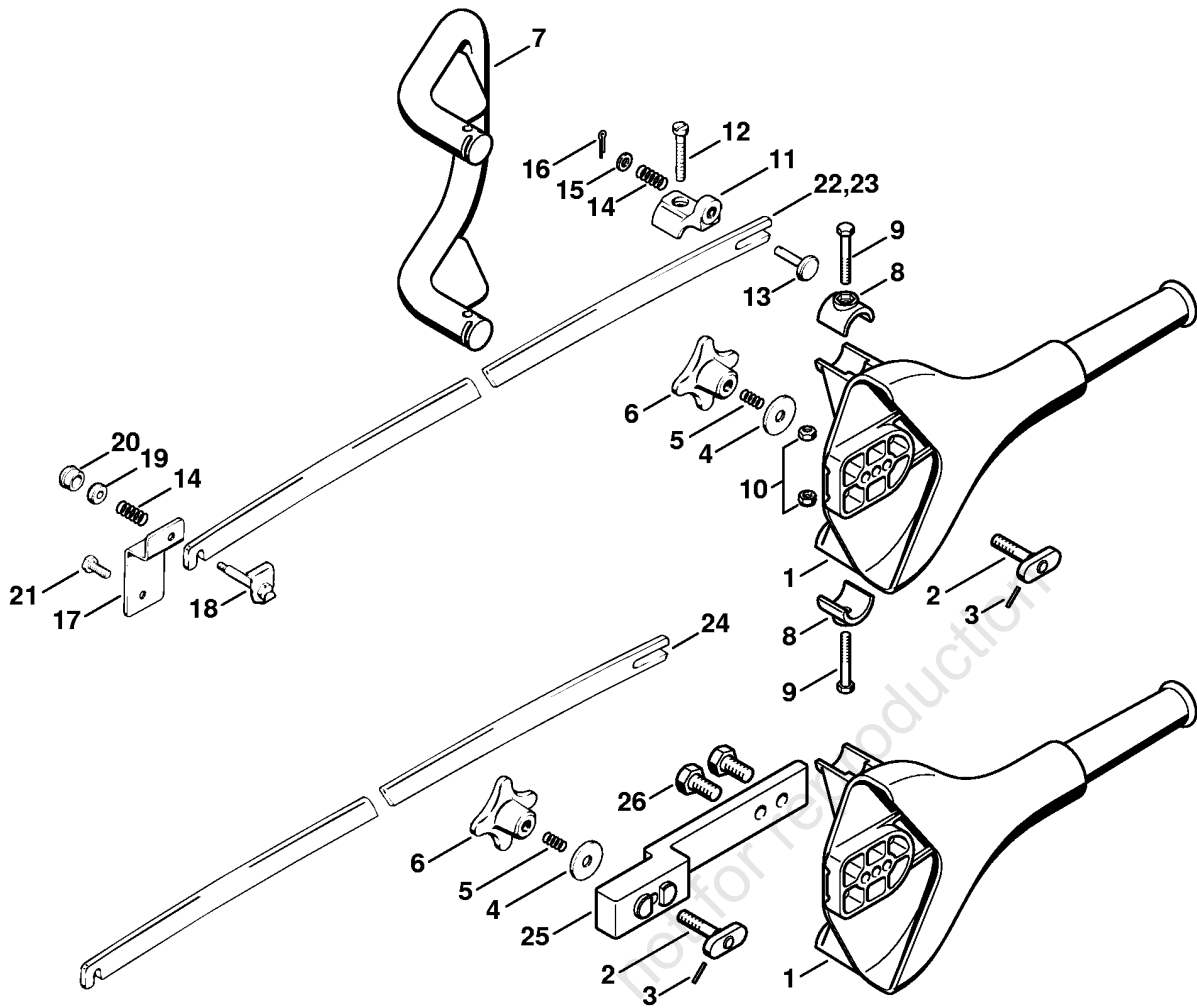


171ET028 GM

## Handlebar, Shroud

Reference	Item number	Qty	Description	Contains
1	1124 790 1721	1	Handlebar with hose (1)	2
2		1	Handle hose 450 mm / 17 3/4" (D) (1)	
	0000 791 2005	1	Handle hose Ø 23 mm x 5m / 1x197" (B)	
3	1124 791 5105	1	Handlebar stiffener (1)	
4	1124 790 3620	1	Wrap around handlebar with hose (2)	5 - 9
5		1	Handle hose 323 mm (D) (2)	
6		1	Handle hose 415 mm / 16 3/8" (D) (2)	
7	1124 791 5500	1	Elbow connector (2)	
8	9291 021 0140	1	Washer 6.4 (2)	
9	9022 341 1300	1	Spline screw IS-M6x20 (2)	
10	9074 478 4475	2	Pan head self-tapping screw IS-P6x21.5	
11	9074 478 4675	2	Pan head self-tapping screw IS-P6x32.5	
12	1124 080 1610	1	Shroud	13 - 17
13	0000 963 0808	2	Bushing	
14	1124 967 1505	1	Model plate 088	
15	1121 084 7000	1	Slotted nut	
16	1121 084 6901	1	Insulator	
17	1124 084 3000	1	Shim	
18	0000 967 1593	1	Model plate Magnum USA, CDN, AUS, NZ	
19	9022 371 1020	2	Spline screw IS-M5x20	
20	1118 145 9000	1	Plug (B)	

**Helper's handle, Chain scabbard**

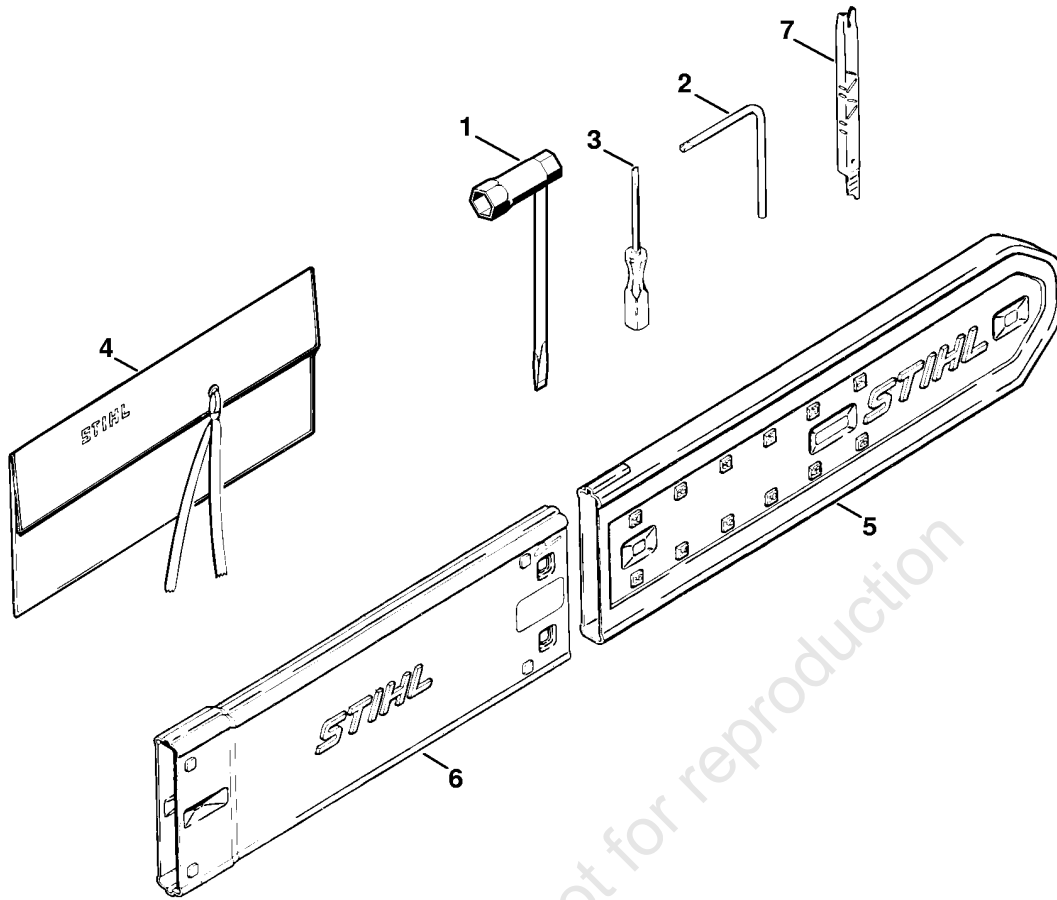


129ET043 SC

(1) 088, (2) 088 R

## Helper's handle, Chain scabbard

Reference	Item number	Qty	Description	Contains
1	1124 660 2500	1	Helper's handle (B)	2 - 10
2	1109 660 0600	1	Tensioning bolt (B)	3
3	9380 620 1120	1	Roll pin 2x14 (B)	
4	0000 958 2208	1	Washer (B)	
5	0000 997 0620	1	Compression spring (B)	
6	1109 660 0500	1	Tensioning nut (B)	
7	1109 790 2200	1	Front handle (B)	
8	1109 791 9000	2	Clamp (B)	
9	9007 319 1400	2	Hexagon head screw M6x40 (B)	
10	9214 320 0900	2	Lock nut M6 (B)	
	1124 007 1018	1	Chain guard kit 105 cm / 42" (B)	11 - 22
11	1109 650 8400	1	Support (B)	
12	9042 216 1400	1	Pan head screw M6x40 (B)	
13	1401 668 8500	1	Spring bolt (B)	
14	0000 997 0901	2	Compression spring (B)	
15	0000 958 0600	1	Washer (B)	
16	9395 021 0790	1	Split pin 1.6x12 (B)	
17	1124 656 8300	1	Support (B)	
18	1401 640 8000	1	Spring bolt (B)	
19	0000 961 1401	1	Ring (B)	
20	1401 648 8400	1	Push button (B)	
21	9008 319 1280	1	Hexagon head screw M6x16 (B)	
22	1202 656 1000	1	Chain scabbard 105 cm / 42" (B)	
	1124 007 1019	1	Chain guard kit 120 cm / 48" (B)	11 - 21, 23
23	1202 656 1001	1	Chain scabbard 120 cm / 48" (B)	
	1124 007 1020	1	Chain guard kit 150 cm / 59" (B)	11 - 21, 24
24	1202 656 1002	1	Chain scabbard 150 cm / 59" (B)	
25	1124 660 2650	1	Spacer (B)	26
26	9008 319 2360	2	Hexagon head screw M10x20 (B)	



online version, not for reproduction

171ET000 GM

## Tools, Extras

Reference	Item number	Qty	Description	Contains
	1121 890 1400	1	Tool kit	1 - 4
1	1129 890 3401	1	Combination wrench	
2	0812 370 1000	1	Screwdriver T27x120x70	
3	0000 890 2300	1	Screwdriver	
4	0000 891 0810	1	Tool roll	
5	0000 792 9130	1	Chain scabbard	
6	0000 792 9133	1	Chain scabbard extension up to 90 cm	
7	1110 893 4000	1	Filing gauge (B)	
	0751 010 1110	1	Cable 10 m (A,B)	

online version, not for reproduction