

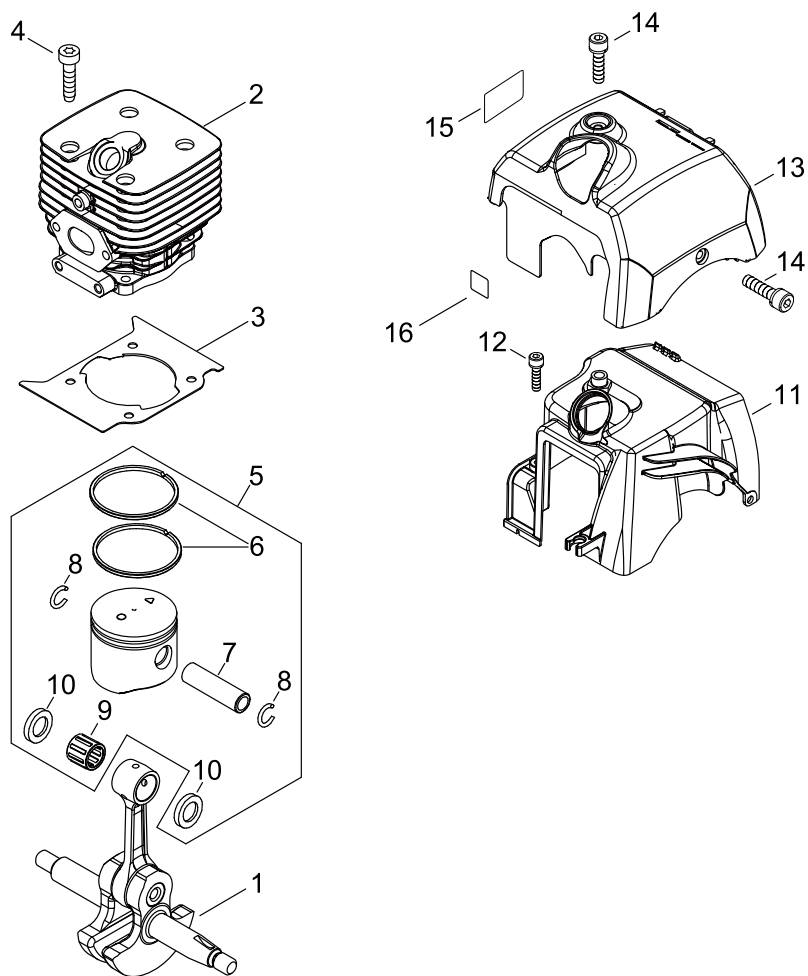
SRM-520ES/U

Published:08/24/2018

TABLE OF CONTENTS

CYLINDER, PISTON, CRANKSHAFT.....	1
CRANKCASE	3
MAGNETO.....	5
CLUTCH.....	7
AIR CLEANER, CARBURETOR.....	9
CARBURETOR.....	11
FUEL TANK.....	13
MUFFLER	15
RECOIL STARTER.....	17
GEAR CASE, SHIELD.....	19
MAIN PIPE, HANDLE.....	21
THROTTLE	23
ACCESSORIES	25
HARNESS.....	27
NYLON LINE CUTTER.....	29

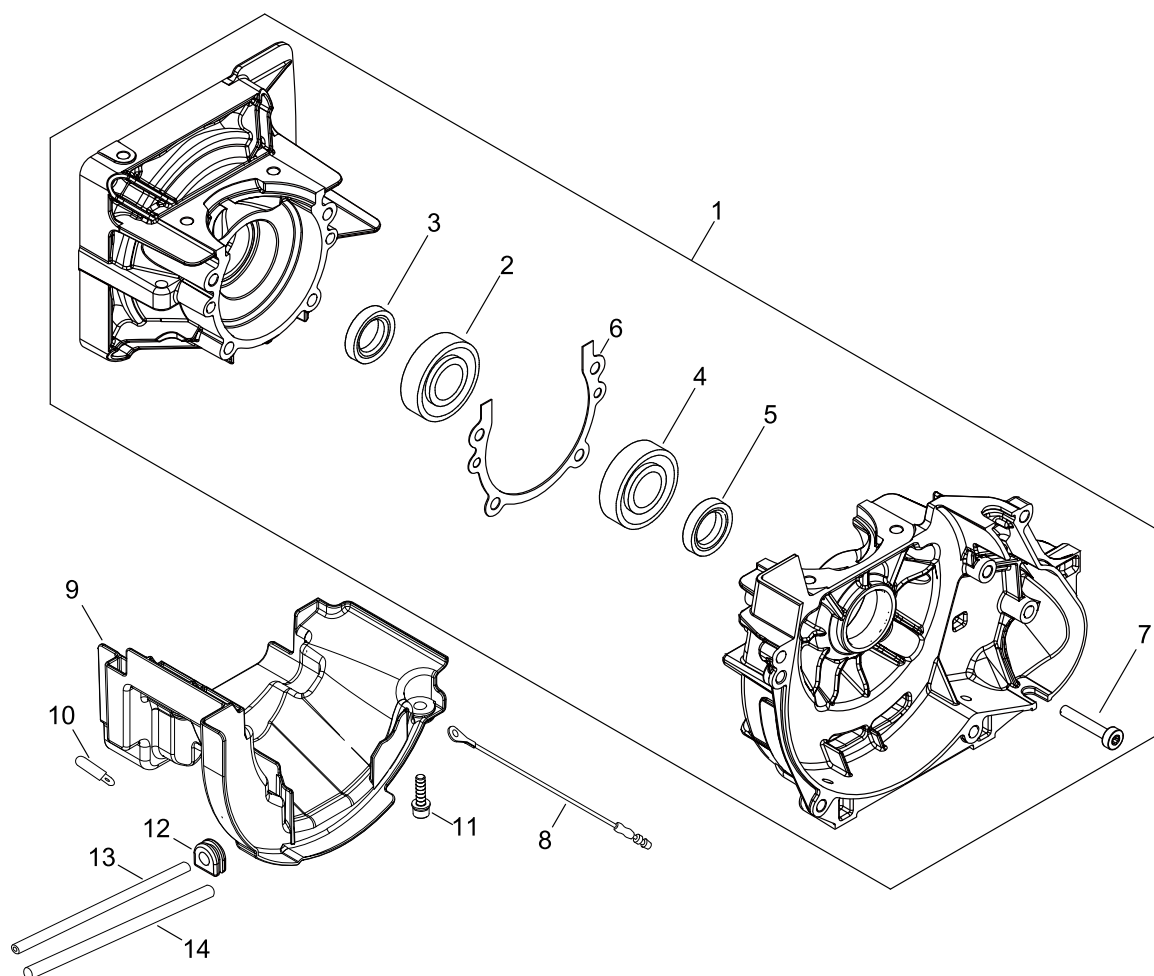
CYLINDER, PISTON, CRANKSHAFT



CYLINDER, PISTON, CRANKSHAFT

KEY NO	LV(+)	Part No	Description	Qty	Standard	Comment
1		A011-001350	CRANKSHAFT,ASY	1		
2		A130-002190	CYLINDER	1		
3		V100-000790	GASKET,CYL	1	T:0.8	
4		V805-000210	BOLT, TORX 5	4	TB-5*20 12.9	
5		P021-047110	PISTON KIT	1		
6	+	A101-000070	RING,PISTON	2		
7	+	V609-000000	PIN,ENG 11	1		
8	+	100015-32330	CIRCLIP, PISTON PIN	2		
9	+	V556-000000	BEARING,NEEDLE 11	1	KBK11*15*15.8X2	
10	+	V308-000100	WASHER,CIRCULAR 11	2		
11		A160-002930	COVER,CYLINDER	1		
12		V835-000000	BOLT, TORX 5	1		
13		A160-002631	COVER,CYLINDER	1		
14		V835-000000	BOLT, TORX 5	2		
15		X547-002410	LABEL,ECHO	1	EHCO SRM-520ES	
16		X524-001901	LABEL	1		PURGE BULB (PRIMER)

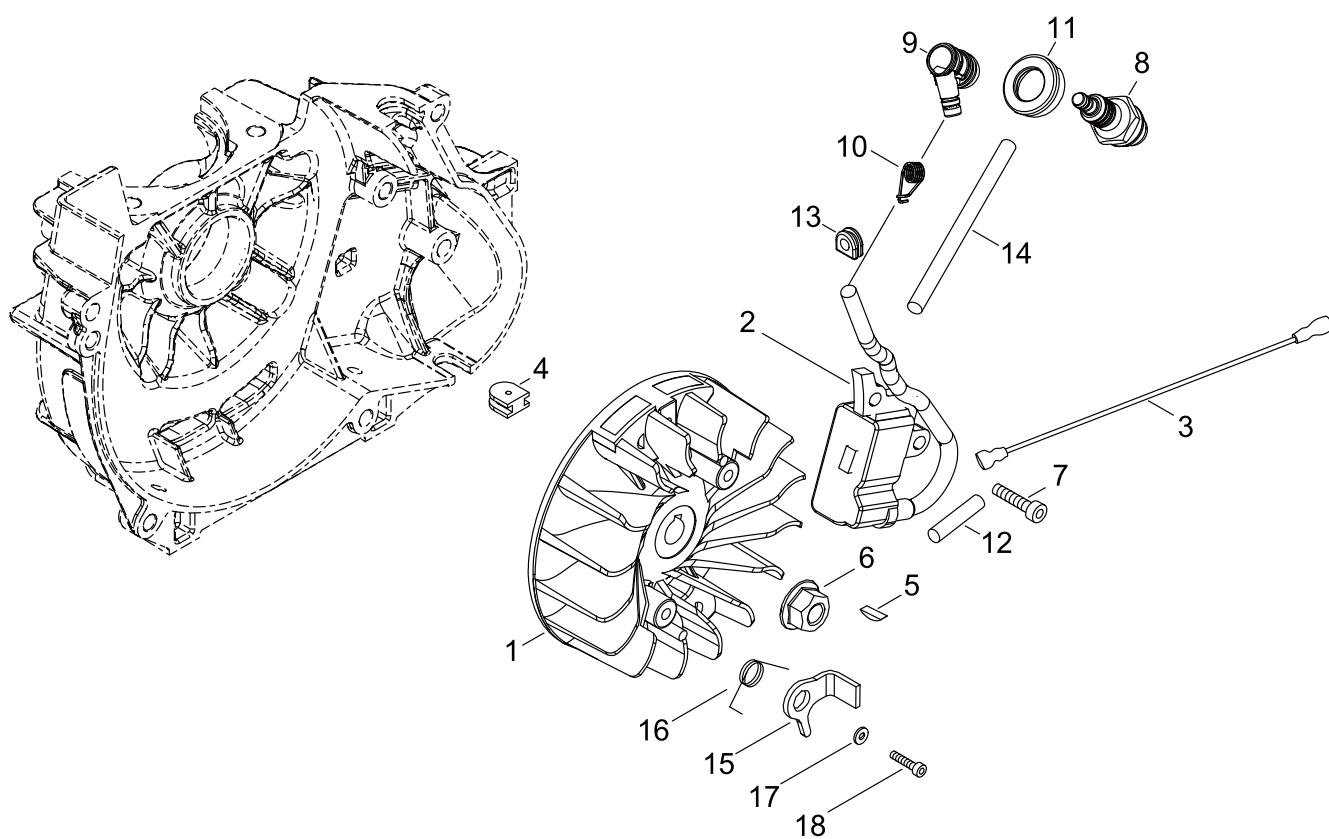
CRANKCASE



CRANKCASE

KEY NO	LV(+)	Part No	Description	Qty	Standard	Comment
1		P021-047120	CRANK CASE SET	1		
2	+	900810-36202	BEARING, BALL 6202	1	6202/C3	
3	+	100213-00310	OILSEAL	1	ISCD 15 25 7	
4	+	900810-36202	BEARING, BALL 6202	1	6202/C3	
5	+	100213-00310	OILSEAL	1	ISCD 15 25 7	
6	+	V102-000260	GASKET,CRANKCASE	1	T:0.5	
7	+	V805-000180	BOLT, TORX 5	4	TB-5*30 12.9	
8		V485-002570	LEAD	1		
9		A209-000740	PLATE, INSULATOR	1		
10		159116-21231	CLAMP	1		
11		V835-000000	BOLT, TORX 5	2		
12		156110-04920	BUSHING	1		
13		V471-000740	PIPE	1		
14		V475-008080	TUBE	1	8*9*125	

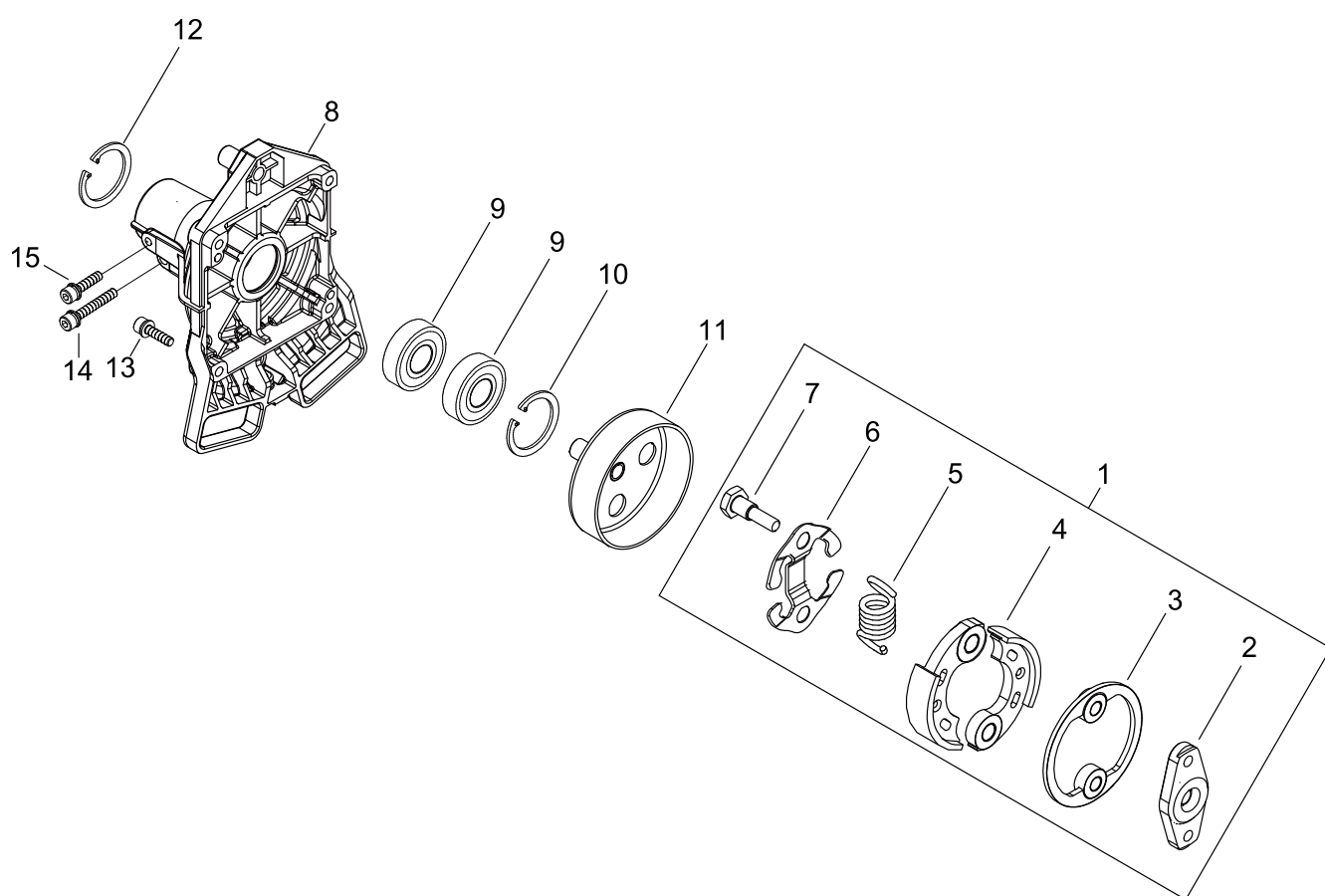
MAGNETO



MAGNETO

KEY NO	LV(+)	Part No	Description	Qty	Standard	Comment
1		A409-001210	ROTOR, MAGNETO	1		
2		A411-001480	COIL, IGNITION	1		
3		V485-002331	LEAD	1		
4		156114-07320	GROMMET	1		
5		100142-12330	KEY, WOODRUFF	1		
6		92105-08000	NUT, FLANGE	1	M8*1.25 L	
7		V805-000150	BOLT, TORX 5	2	TB-5*16 10.9	
8		A425-000000	SPARKPLUG	1	BPMR8Y	
9		A427-000060	CAP, SPARK PLUG	1		
10		A426-000010	TERMINAL, SPARKPLUG	1		
11		A429-000090	COVER, CAP	1		
12		V475-007540	TUBE	1		
13		156110-04920	BUSHING	1		
14		V475-007550	TUBE	1		
15		A514-000280	PAWL	2		
16		V452-001471	SPRING, TORSION	2		
17		177247-04630	SPACER, RATCHET	2	5.2*8*2.1	
18		V805-000140	BOLT, TORX 5	2	TB-5*12 10.9	

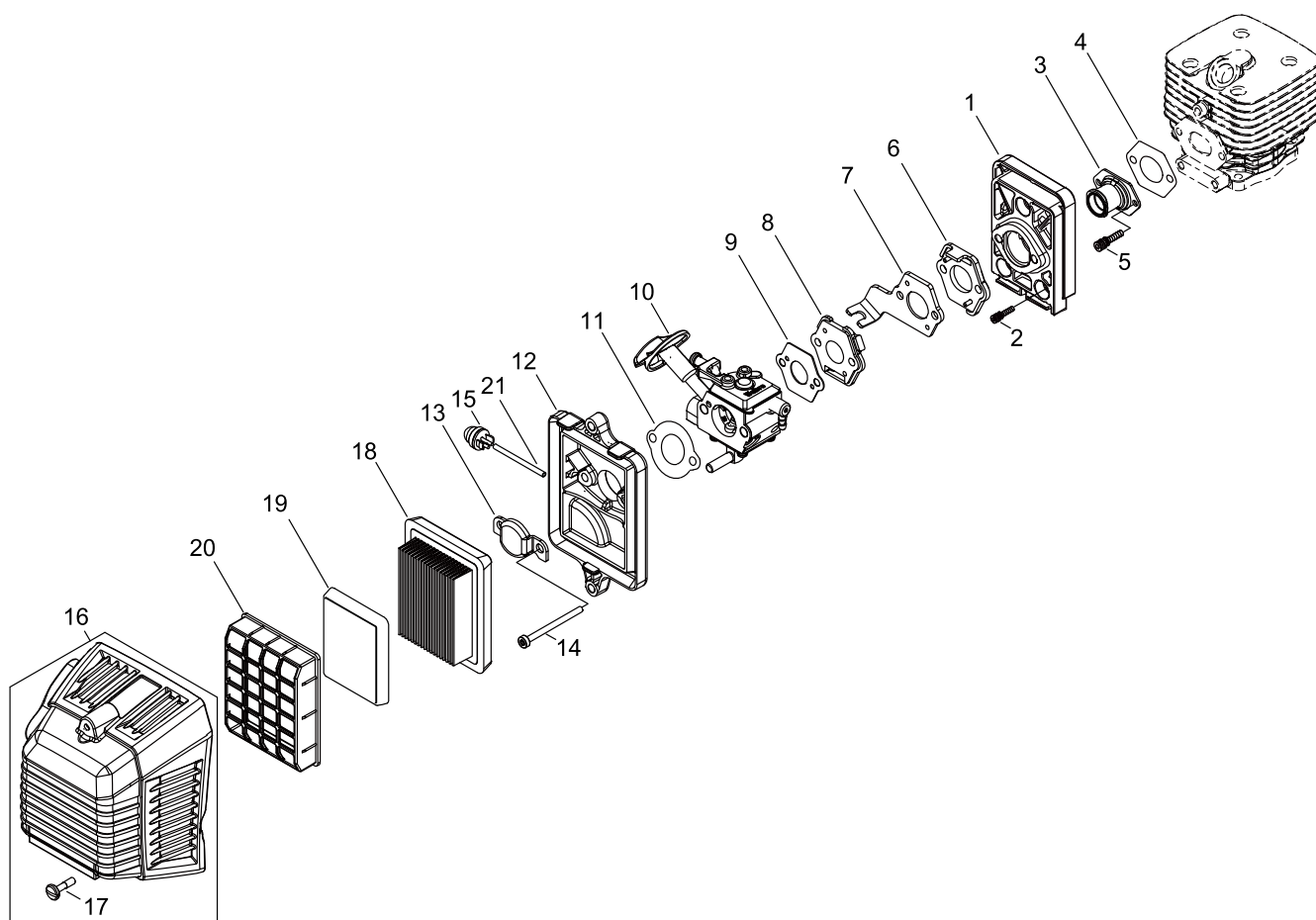
CLUTCH



CLUTCH

KEY NO	LV(+)	Part No	Description	Qty	Standard	Comment
1		P021-047140	CLUTCH ASY	1		
2	+	175016-54430	HUB, CLUTCH	1		
3	+	V376-001650	SPACER	1		
4	+	A553-000040	ARM,CLUTCH	2		
5	+	A566-000260	SPRING, CLUTCH	1	3.2 361N	
6	+	V453-000100	SPRING,FLAT	1	10.2	
7	+	A557-000200	SHAFT,CLUTCH	2		
8		A570-000291	CASE,CLUTCH	1		
9		94018-46001	BEARING, BALL	2		
10		900702-00028	CIRCLIP 28	1	CR-28	
11		A556-000181	DRUM,CLUTCH	1		
12		900701-00012	CIRCLIP 12	1	CS-12	
13		V805-000160	BOLT, TORX 5	4	TB-5*20 10.9	
14		V805-000160	BOLT, TORX 5	1	TB-5*20 10.9	
15		V805-000130	BOLT, TORX 5	1	TB-5*10 10.9	

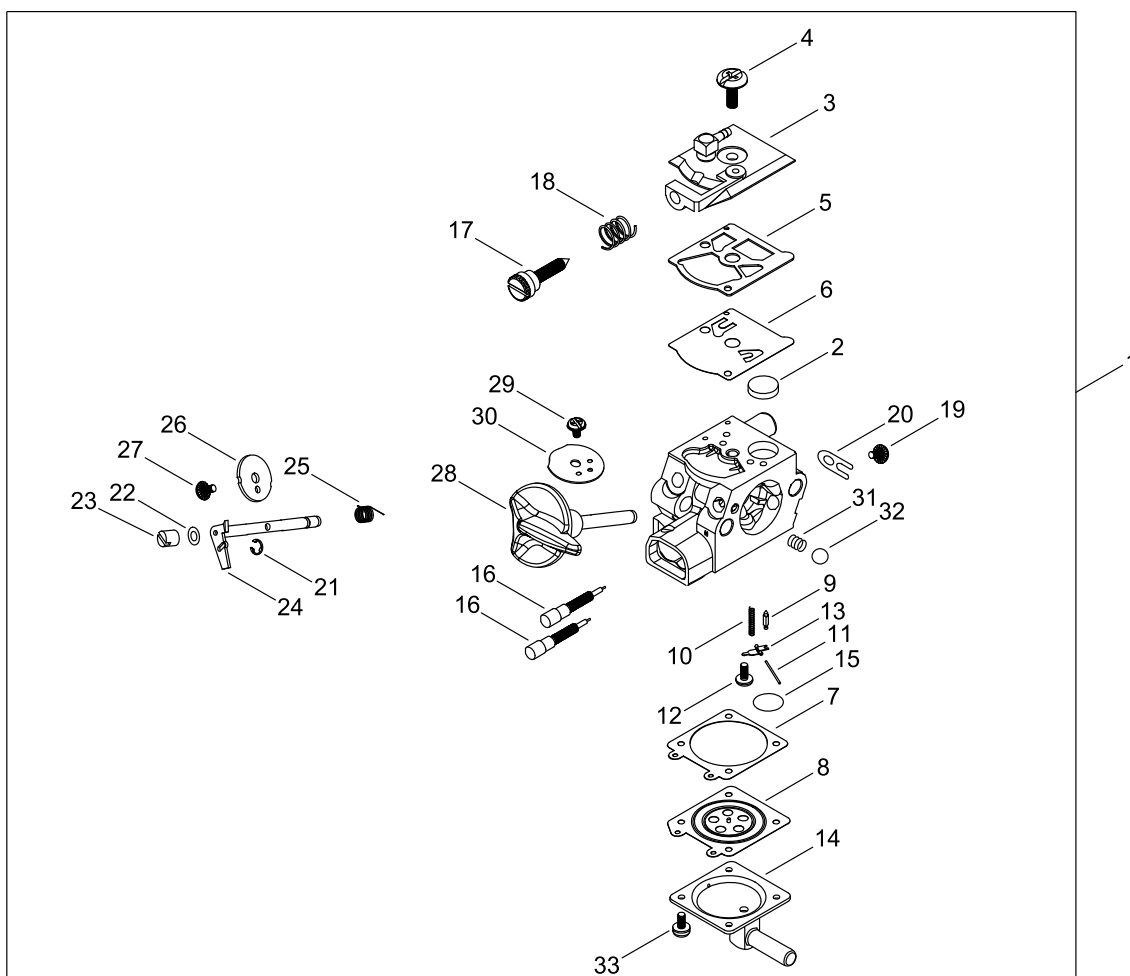
AIR CLEANER, CARBURETOR



AIR CLEANER, CARBURETOR

KEY NO	LV(+)	Part No	Description	Qty	Standard	Comment
1		A200-000990	INSULATOR, INTAKE	1		
2		V855-000000	BOLT, TORX 5	3	TB-5*20	
3		A202-000270	BELLOWS, INTAKE	1		
4		V103-001620	GASKET,INTAKE	1		
5		V835-000010	BOLT, TORX 5	2	TB-5*12 10.9	
6		A209-000720	PLATE, INSULATOR	1		
7		C487-000410	HOLDER, CABLE	1		
8		A209-000840	PLATE, INSULATOR	1		
9		V103-001610	GASKET,INTAKE	1		
10		A021-004220	CARBURETOR, DIAPHRAGM	1	WT-1096	
11		V103-000500	GASKET,INTAKE	1	ASK NO.4600	
12		A225-000690	CASE,CLEANER	1		
13		A244-000290	PLATE, PREVENT	1		
14		V805-000330	BOLT, TORX 5	2	TB-5*65 12.9	
15		123181-39130	PUMP, PRIMER	1		
16		P021-047150	CLEANER LID ASY	1		
17	+	V253-000100	SCREW,5	2	5*20	
18		A226-001730	ELEMENT,AIR FILTER	1		
19		A226-001740	ELEMENT, AIR FILTER	1		
20		A227-000040	PLATE, ELEMENT	1		
21		V471-001300	PIPE	1	2.4*5*65	

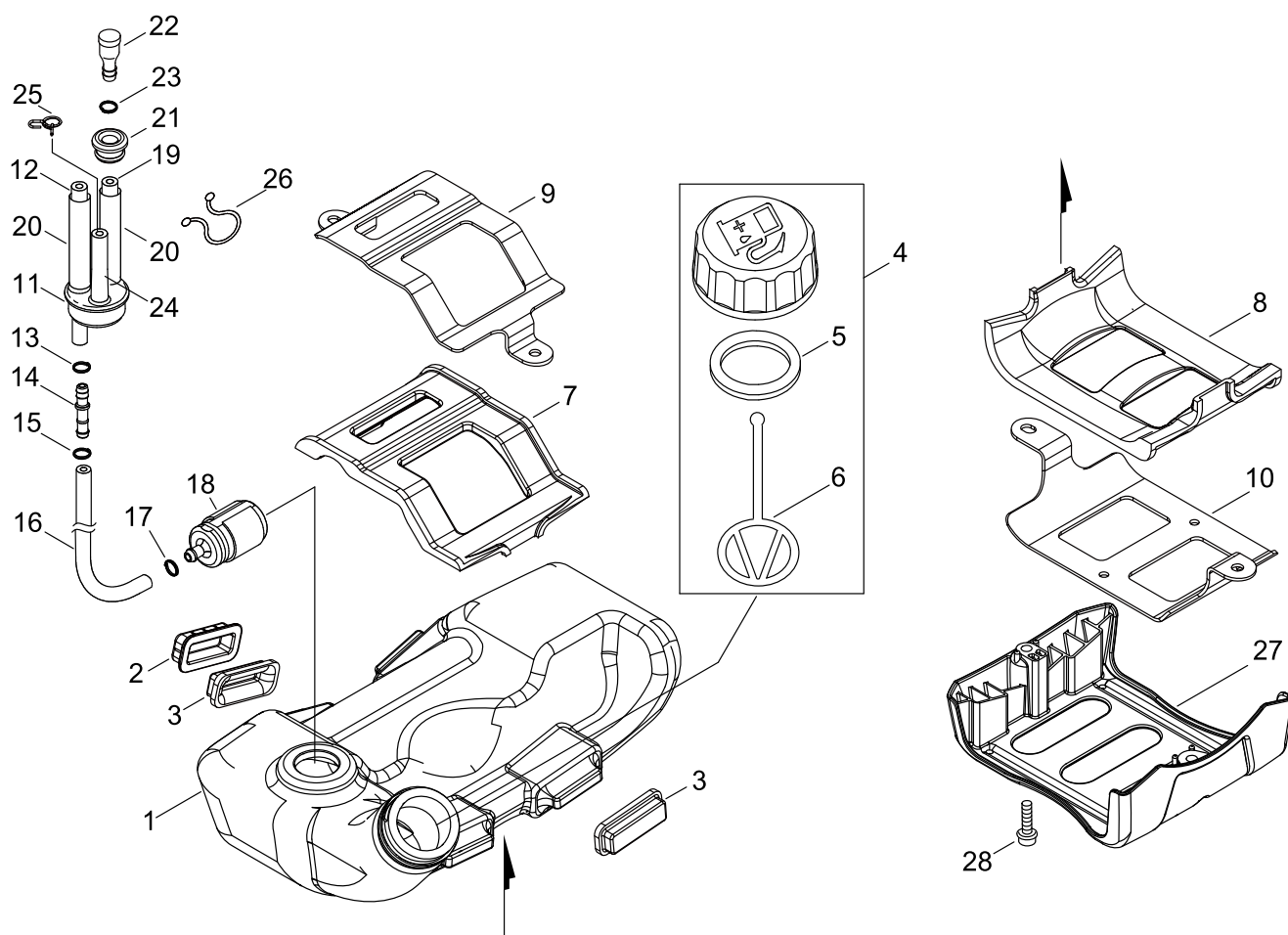
CARBURETOR



CARBURETOR

KEY NO	LV(+)	Part No	Description	Qty	Standard	Comment
1		A021-004220	CARBURETOR, DIAPHRAGM	1	WT-1096	
2	+	123126-10631	SCREEN, INLET	1		
3	+	P003-005450	PUMP COVER ASY	1		
4	+	123110-03930	SCREW, PUMP COVER	1		
5	+	123125-15030	GASKET, FUEL PUMP	1		
6	+	123112-15030	DIAPHRAGM, FUEL PUMP	1		
7	+	123140-27230	GASKET,M. DIAPHRAGM	1		
8	+	P003-001850	DIAPHRAGM, METERING	1		
9	+	123137-19830	VALVE, INLET NEEDLE	1		
10	+	123122-03660	SPRING, METER. LEVER	1		
11	+	123138-03930	PIN, METERING LEVER	1		
12	+	123139-03930	SCREW, M. LEVER PIN	1		
13	+	123123-03930	LEVER, METERING	1		
14	+	123142-03930	COVER, M. DIAPHRAGM	1		
15	+	123146-10631	PLUG, WELCH	1		
16	+	P003-002270	NEEDLE	2		
17	+	123134-04260	SCREW, IDLE ADJUST	1		
18	+	123133-04260	SPRING, IDLE ADJUST	1		
19	+	P003-005120	SCREW	1		
20	+	123127-03930	CLIP, THROTTLE SHAFT	1		
21	+	123173-07930	CLIP	1		
22	+	123149-54230	WASHER	1		
23	+	P003-005460	SWIVEL	1		
24	+	P003-005020	SHAFT ASM THROTTLE	1		
25	+	123113-47530	SPRING, THR. RTN.	1		
26	+	P003-000310	VALVE THROTTLE	1		
27	+	P003-002380	SCREW	1		
28	+	P003-005470	SHAFT ASY, CHOKE	1		
29	+	123114-38830	SCREW	1		
30	+	P003-001790	VALVE, CHOKE	1		
31	+	123135-10630	SPRING, CHOKE FRICT.	1		
32	+	123136-10630	BALL, CHOKE FRICTION	1		
33	+	123130-02960	SCREW	4		

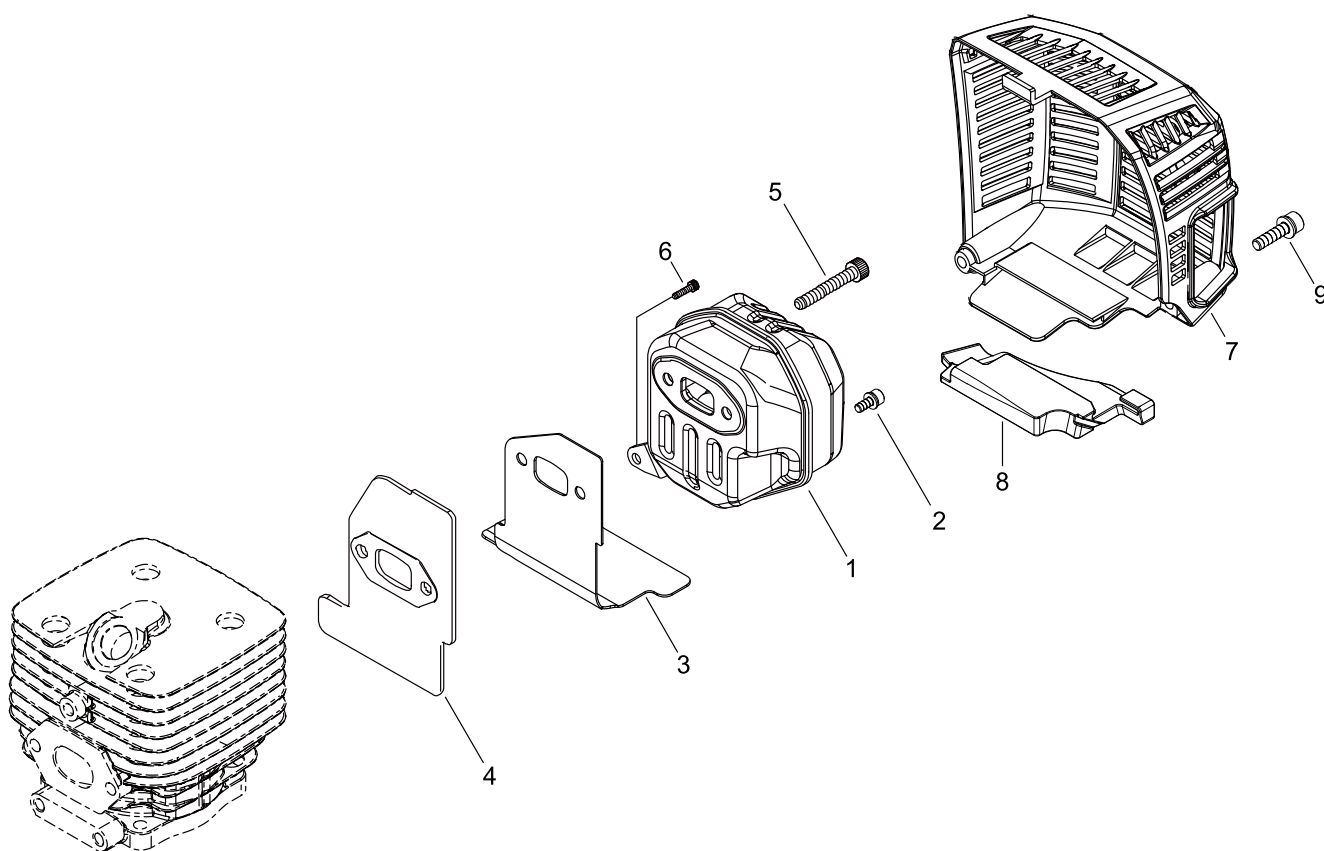
FUEL TANK



FUEL TANK

KEY NO	LV(+)	Part No	Description	Qty	Standard	Comment
1		A350-002020	TANK, FUEL	1		
2		V423-000130	HOLDER,CUSHION	2		
3		V420-004860	CUSHION	4		
4		P021-012210	CAP,FUEL ASY	1		
5	+	131016-55830	GASKET, FUEL CAP	1		
6	+	A365-000060	CONNECTOR,CAP	1	L=123	
7		A390-000050	SEAT,FUEL TANK	1	UPPER	
8		A390-000060	SEAT,FUEL TANK	1	LOWER	
9		A393-000320	BRACKET,FUEL TANK	1		
10		A393-000330	BRACKET,FUEL TANK	1		
11		132115-55930	GROMMET, FUEL	1		
12		V471-002310	PIPE	1	3*6*130	
13		V490-001240	CLIP	1		
14		V186-000510	JOINT,PIPE	1		
15		130111-00530	CLIP	1	5.5	
16		V470-000840	PIPE	1		
17		V490-001240	CLIP	1		
18		A369-000001	STRAINER, FUEL	1	125-528	
19		130110-14530	PIPE, IMPULSE	1	3*6*135L	
20		V475-007720	TUBE	2	8*9*80	
21		132115-01461	GROMMET	1		
22		131300-56431	VENT ASSEMBLY, FUEL	1		
23		V490-001240	CLIP	1		
24		V471-000630	PIPE	1		
25		V490-000510	CLIP	1		
26		V491-000460	CLIP	1	ELS-200-2	
27		A175-000331	STAND	1		
28		V835-000030	BOLT, TORX 5	2	TB-5*20 10.9	

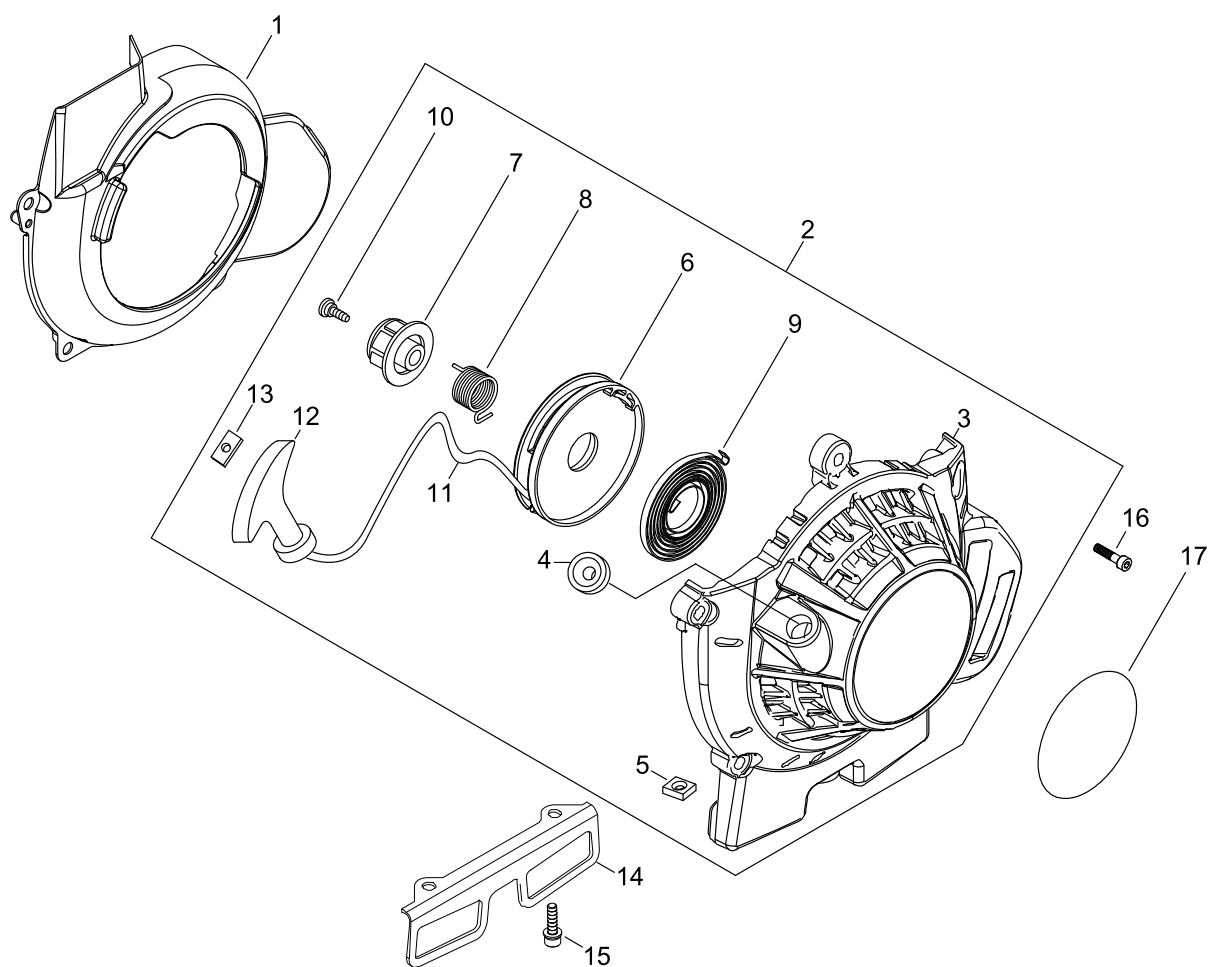
MUFFLER



MUFFLER

KEY NO	LV(+)	Part No	Description	Qty	Standard	Comment
1		A300-001850	MUFFLER, EXHAUST	1	ID:2150	
2		V804-000030	BOLT, TORX 4	1	TB-4*8 10.9	
3		V104-002170	GASKET,EXHAUST	1	NP7002 T:1.0	
4		V104-002030	GASKET,EXHAUST	1		
5		V806-000050	BOLT, TORX 6	2	TB-6*20 12.9	
6		V805-000300	BOLT, TORX 5	1	TB-5*12 12.9	
7		A320-001110	COVER,MUFFLER	1		
8		V541-000540	SEAL	1		
9		V805-000260	BOLT, TORX 5	2	TB5*25 10.9	

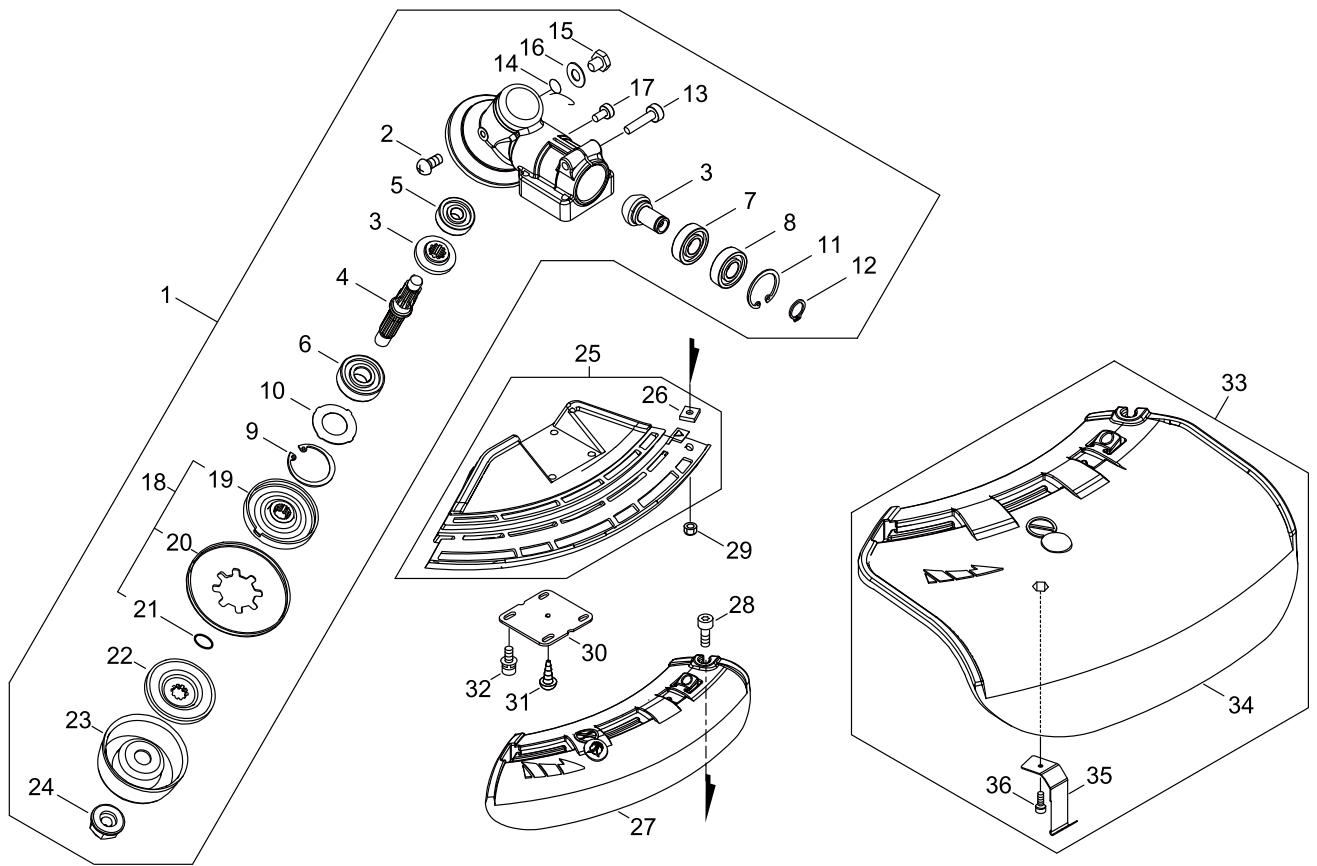
RECOIL STARTER



RECOIL STARTER

KEY NO	LV(+)	Part No	Description	Qty	Standard	Comment
1		A172-002600	COVER,FAN	1		
2		A051-002881	STARTER,RECOIL ASY	1		
3	+	P022-037550	STARTER CASE	1		
4	+	177227-42030	GUIDE, ROPE	1		
5	+	900565-00005	NUT	1	5	
6	+	P022-023140	DRUM, STARTER	1		
7	+	P022-033830	CAM	1		
8	+	P022-023120	SPRING,DAMPER	1		
9	+	P022-004680	SPRING, SPIRAL	1		
10	+	P022-023110	SCREW	1		
11	+	P022-037560	ROPE, STARTER	1		
12	+	177228-11120	GRIP, STARTER	1		
13	+	177246-11120	CLIP, STARTER ROPE	1		
14		A393-000300	BRACKET,FUEL TANK	1	T1.5	
15		V805-000150	BOLT, TORX 5	2	TB-5*16 10.9	
16		V835-000030	BOLT, TORX 5	4	TB-5*20 10.9	
17		X502-000900	LABEL,ECHO	1		

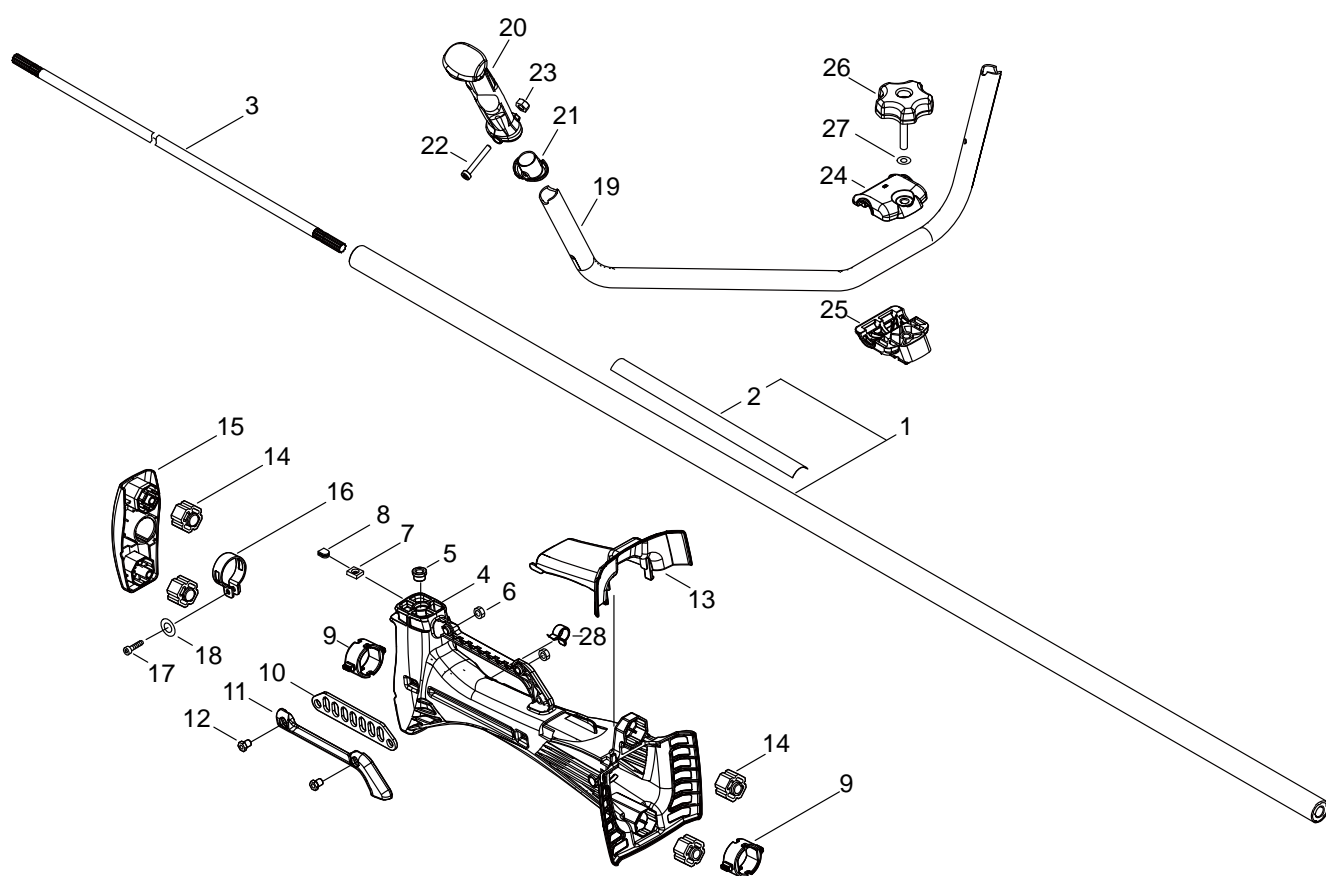
GEAR CASE, SHIELD



GEAR CASE, SHIELD

KEY NO	LV(+)	Part No	Description	Qty	Standard	Comment
1		P021-041342	CASE,GEAR	1		
2	+	900220-04006	SCREW 4*6	1	4*6	
3	+	610300-56930	GEAR SET	1		
4	+	610310-56933	SHAFT, P.T.O.	1	12*10*1	
5	+	900810-00629	BEARING, BALL 629	1	629	
6	+	900812-06201	BEARING, BALL 6201	1	6201DDU(LLU)	
7	+	900800-06001	BEARING, BALL 6001	1	6001	
8	+	900803-06001	BEARING, BALL 6001	1	6001Z	
9	+	900702-00032	CIRCLIP 32	1	CR-32	
10	+	610444-56830	WASHER	1		
11	+	900702-00028	CIRCLIP 28	1	CR-28	
12	+	900701-00012	CIRCLIP 12	1	CS-12	
13	+	V806-000100	BOLT, TORX 6	1	TB-6*30 10.9	
14	+	V452-001310	SPRING,TORSION	1		
15	+	610434-50031	BOLT 8* 8	1	M8*8	
16	+	900603-50008	WASHER	1	8.5*18*0.8T	
17	+	V805-000130	BOLT, TORX 5	1	TB-5*10 10.9	
18	+	610313-52932	FIXTURE,BLADE	1		
19	++	610313-52132	FIXTURE,BLADE	1		
20	++	610352-56830	PLATE, CUP	1		
21	++	900720-00012	O-RING 12	1	P-12	
22	+	610314-52130	PLATE, ADAPTER (L)	1		
23	+	699229-56830	PLATE, COVER	1		
24	+	610320-52130	NUT 10	1		
25		C550-000511	SHIELD,BLADE	1		
26	+	900565-00005	NUT	1	5	
27		C550-000551	SHIELD,BLADE	1		
28		V805-000170	BOLT, TORX 5	1	TB-5*25 10.9	
29		900562-00005	NUT, LOCK	1	5	
30		C552-000200	PLATE, SHIELD	1		
31		91316-04010	SCREW	1	M4*10	
32		V805-000260	BOLT, TORX 5	4	TB5*25 10.9	
33		P021-041320	SHIELD ASY, BLADE	1		
34	+	C550-000570	SHIELD,BLADE	1		
35	+	C554-000030	KNIFE, CORD	1	17INCH	
36	+	V805-000150	BOLT, TORX 5	1	TB-5*16 10.9	

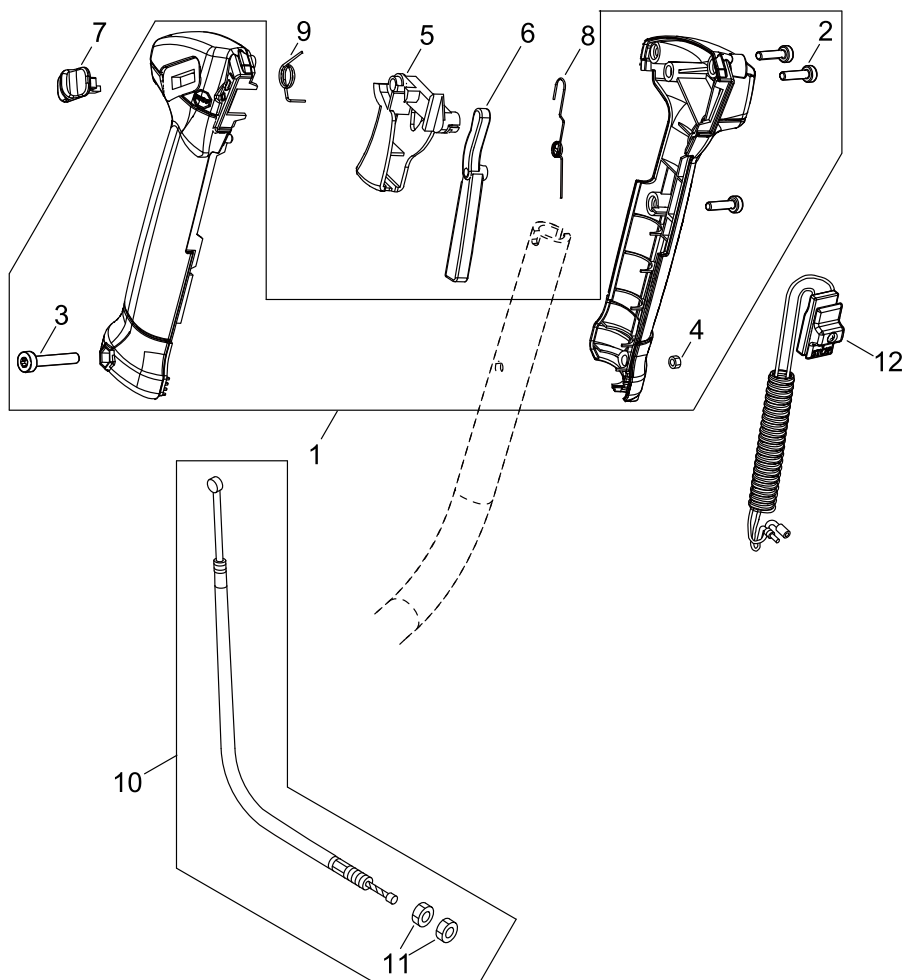
MAIN PIPE, HANDLE



MAIN PIPE, HANDLE

KEY NO	LV(+)	Part No	Description	Qty	Standard	Comment
1		P021-047220	MAIN PIPE ASY	1		
2	+	890617-43130	LABEL,CAUTION	1		
3		610011-49931	SHAFT, DRIVE	1		
4		C415-000172	SUPPORTER, HANDLE	1	SRM-420/520	
5		V355-000750	COLLAR,8	1	SRM-420ES	
6		V263-000020	NUT,5	2		
7		900565-50008	NUT	1	8*1.25	
8		101538-28230	GROMMET,PLUG	1		
9		C427-000050	STOPPER, HANDLE	2		
10		V150-003590	PLATE,EYE	1		
11		C648-000030	HOLDER,LIFTING	1		
12		V805-000150	BOLT, TORX 5	2	TB-5*16 10.9	
13		C480-000140	GUIDE, CABLE	1		
14		V420-004100	CUSHION	4		
15		P200-000540	FIXTURE,CUSHION ASY	1		
16		V495-003660	BAND	1		
17		V806-000010	BOLT, TORX 6	1	TB-6*20 10.9	
18		900603-00006	WASHER 6	1	6.5*13*1	
19		C400-001440	HANDLE,FRONT	1	22X T2.0	
20		C403-000810	GRIP, HANDLE	1		
21		C441-000000	PIECE,HAND GUARD	1	22	
22		V805-000070	BOLT, TORX 5	1	TB-5*40 10.9	
23		900562-50005	LOCKNUT 5	1	5	
24		C423-000960	FIXTURE, HANDLE	1	22	
25		C423-000970	FIXTURE, HANDLE	1	22	
26		V299-000110	KNOB,FASTENER	1		
27		175049-03920	WASHER	1		
28		V490-001220	CLIP	1		

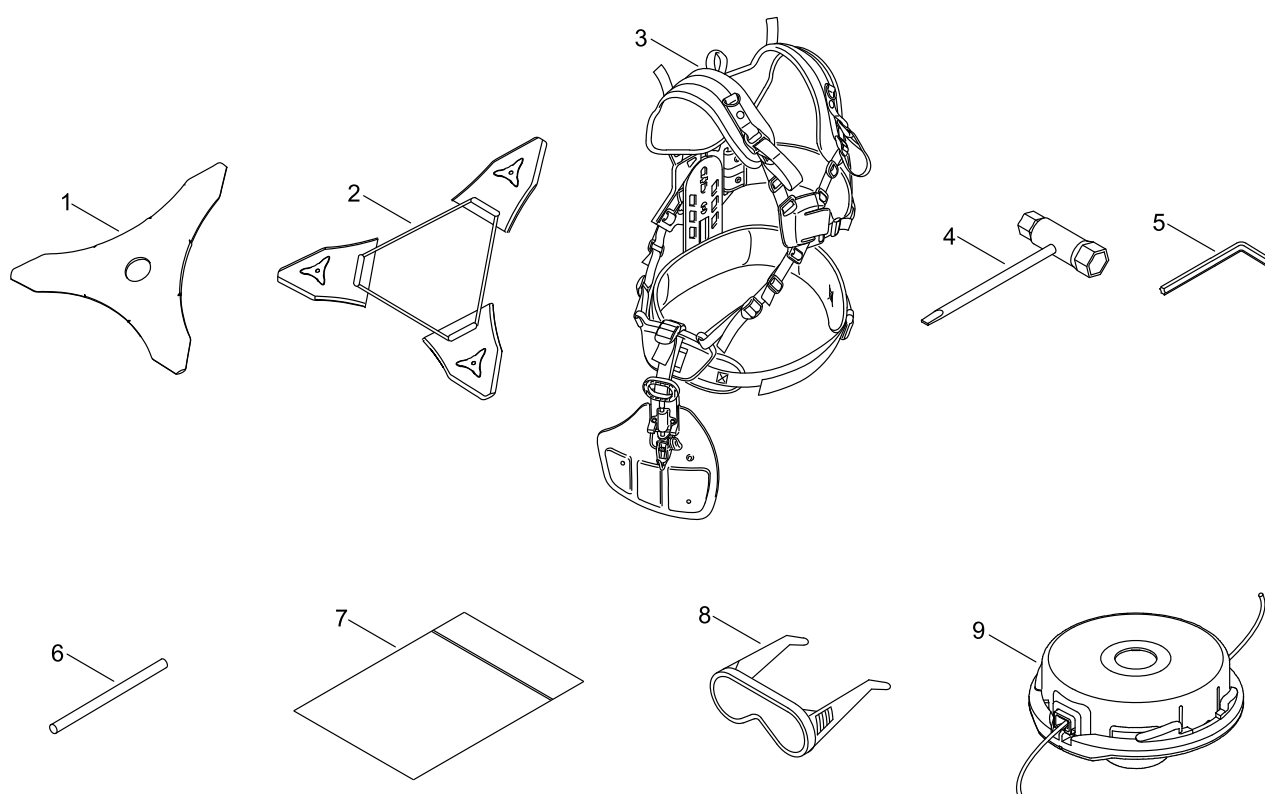
THROTTLE



THROTTLE

KEY NO	LV(+)	Part No	Description	Qty	Standard	Comment
1		P021-047370	HANDLE GRIP SET	1		
2	+	V804-000010	BOLT, TORX 4	3	TT-4*16 DG 10.9	
3	+	V805-000060	BOLT, TORX 5	1	TB-5*35 10.9	
4	+	900500-00005	NUT 5	1	5	
5		C450-000880	CONTROL, THROTTLE	1		
6		C460-000490	LOCKOUT, THROTTLE	1		
7		C463-000000	KNOB,LATCH	1		
8		V452-001540	SPRING,TORSION	1		
9		V452-000060	SPRING,TORSION	1		
10		V430-004690	CABLE,BOWDEN	1		
11	+	900502-00006	NUT 6 (3N)	2	3N6	
12		P021-041470	SWITCH,ON OFF ASY	1		

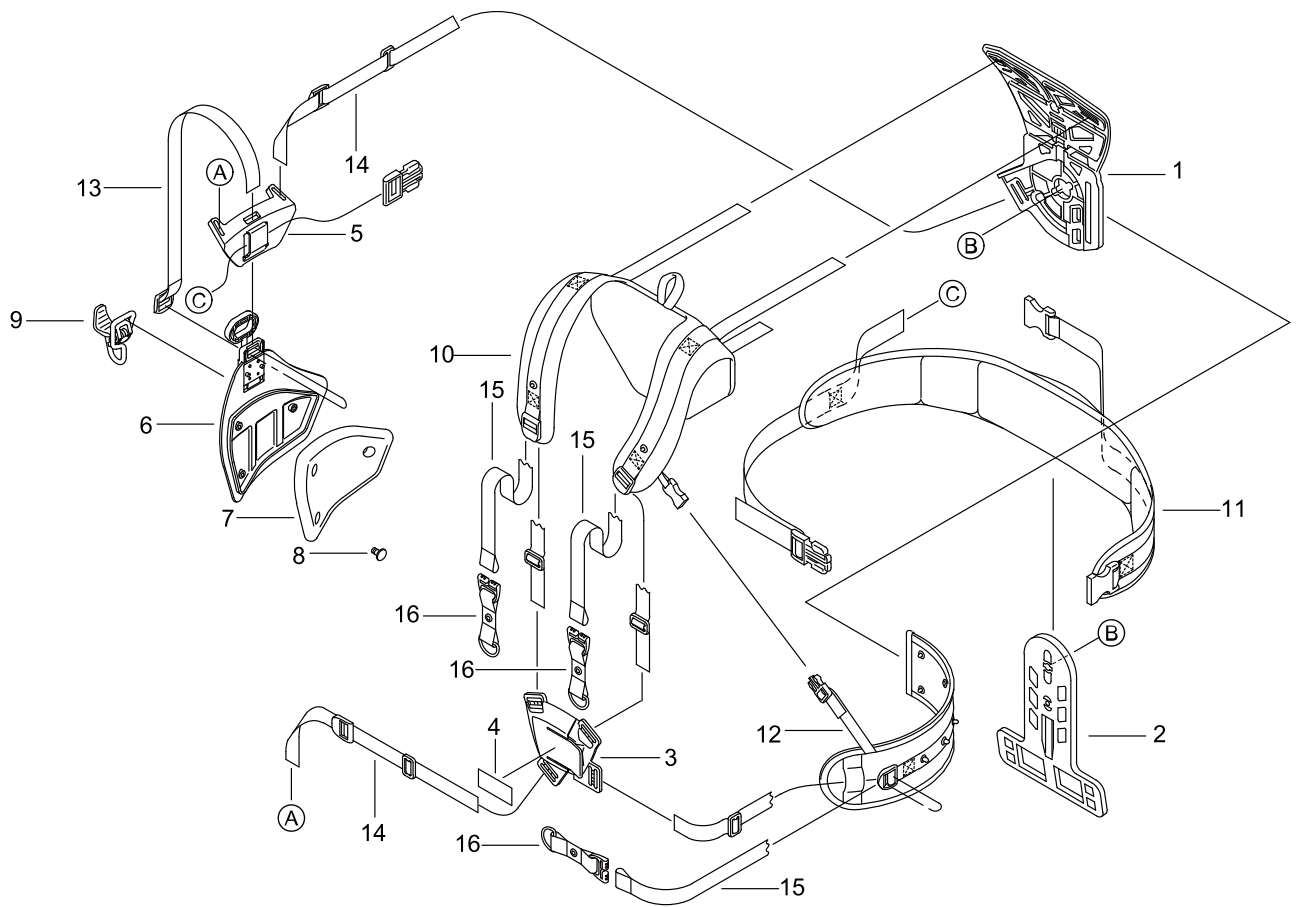
ACCESSORIES



ACCESSORIES

KEY NO	LV(+)	Part No	Description	Qty	Standard	Comment
1		P021-014320	SAW,BUSH CUTTER	1	255*T3.0	
2		X495-000270	SCABBARD,BLADE	1		
3		C062-000590	HARNESS, SHOULDER	1	ECHO	
4		X602-000020	TOOL,WRENCH	1	17*19 L200	
5		X605-000170	TOOL,L WRENCH	1		
6		X606-000080	TOOL,BAR	1	5*120	
7		898510-07130	BAG, TOOL	1		
8		X690-000080	GOGGLE	1	SI CHINA, Z87.1	
9		X047-000230	CUTTER,ASM LINE	1	DS-5 M10 L	

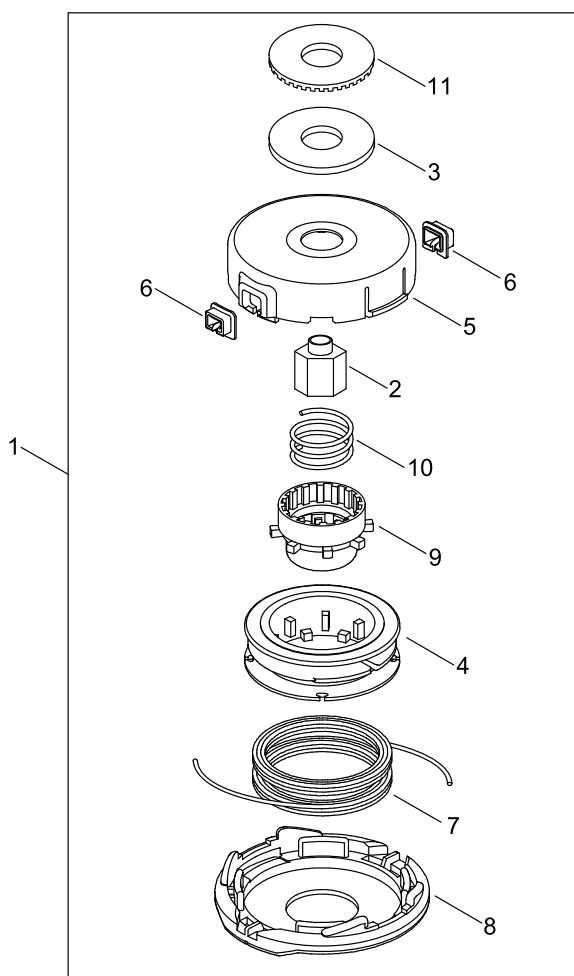
HARNESS



HARNESS

KEY NO	LV(+)	Part No	Description	Qty	Standard	Comment
		C062-000591	HARNESS, SHOULDER	1		
1	+	C630-000230	SEAT, BACKPACK	1		
2	+	C630-000250	SEAT, BACKPACK	1		
3	+	P021-047390	BUCKLE, HARNESS SET	1		
4	+	X502-000390	LABEL,ECHO	1	ECHO 72.5*15	
5	+	C652-000070	PAD, WAIST	1		
6	+	P021-047231	PAD, WAIST ASY	1		
7	+	C652-000080	PAD, WAIST	1		
8	+	V491-000260	CLIP	3		
9	+	C063-000050	HOOK,LIFTING	1		
10	+	C644-000220	PAD, HARNESS	1		
11	+	C651-000070	BELT, HARNESS	1	ECHO	
12	+	C652-000090	PAD, WAIST	1		
13	+	C650-000000	ADJUSTER,STRAP	1		
14	+	C650-000010	ADJUSTER,STRAP	2		
15	+	C650-000020	ADJUSTER,STRAP	3		
16	+	C653-000000	END,BELT	3		

NYLON LINE CUTTER



NYLON LINE CUTTER

KEY NO	LV(+)	Part No	Description	Qty	Standard	Comment
1		X047-000230	CUTTER,ASM LINE	1	DS-5 M10 L	
2	+	P022-010390	NUT	1		
3	+	P022-023160	SPACER	1		
4	+	P022-001180	BOBBIN	1	DS-5/10	
5	+	P022-005040	HOUSING	1		
6	+	P022-000710	EYELET	2	T4	
7	+	P022-006200	NYLON CODE	1	3.0*3M	
8	+	P022-005030	COVER	1		
9	+	P022-019450	TAP KNOB	1		
10	+	P022-001200	SPRING	1	DS-5/10	
11	+	P022-022050	WASHER	1		

NUMERICAL PARTS INDEX

Part No	Part description	Page	Part No	Part description	Page	Part No	Part description	Page
100015-3-2330	CIRCLIP, PISTON PIN	2	123149-5-4230	WASHER	12	610314-5-2130	PLATE, ADAPTER (L)	20
100142-1-2330	KEY, WOODRUFF	6	123173-0-7930	CLIP	12	610320-5-2130	NUT 10	20
100213-0-0310	OILSEAL	4	123181-3-9130	PUMP, PRIMER	10	610352-5-6830	PLATE, CUP	20
101538-2-8230	GROMMET, PLUG	22	130110-1-4530	PIPE, IMPULSE	14	610434-5-0031	BOLT 8* 8	20
123110-0-3930	SCREW, PUMP COVER	12	130111-0-0530	CLIP	14	610444-5-6830	WASHER	20
123112-1-5030	DIAPHRAGM, FUEL PUMP	12	131016-5-5830	GASKET, FUEL CAP	14	699229-5-6830	PLATE, COVER	20
123113-4-7530	SPRING, THR. RTN.	12	131300-5-6431	VENT ASSEMBLY, FUEL	14	890617-4-3130	LABEL, CAUTION	22
123114-3-8830	SCREW	12	132115-0-1461	GROMMET	14	898510-0-7130	BAG, TOOL	26
123122-0-3660	SPRING, METER. LEVER	12	132115-5-5930	GROMMET, FUEL	14	900220-0-4006	SCREW 4*6	20
123123-0-3930	LEVER, METERING	12	156110-0-4920	BUSHING	4	900500-0-0005	NUT 5	24
123125-1-5030	GASKET, FUEL PUMP	12	156110-0-4920	BUSHING	6	900502-0-0006	NUT 6 (3N)	24
123126-1-0631	SCREEN, INLET	12	156114-0-7320	GROMMET	6	900562-0-0005	NUT, LOCK	20
123127-0-3930	CLIP, THROTTLE SHAFT	12	159116-2-1231	CLAMP	4	900562-5-0005	LOCKNUT 5	22
123130-0-2960	SCREW	12	175016-5-4430	HUB, CLUTCH	8	900565-0-0005	NUT	18
123133-0-4260	SPRING, IDLE ADJUST	12	175049-0-3920	WASHER	22	900565-0-0005	NUT	20
123134-0-4260	SCREW, IDLE ADJUST	12	177227-4-2030	GUIDE, ROPE	18	900565-5-0008	NUT	22
123135-1-0630	SPRING, CHOKE FRICT.	12	177228-1-1120	GRIP, STARTER	18	900603-0-0006	WASHER 6	22
123136-1-0630	BALL, CHOKE FRICTION	12	177246-1-1120	CLIP, STARTER ROPE	18	900603-5-0008	WASHER	20
123137-1-9830	VALVE, INLET NEEDLE	12	177247-0-4630	SPACER, RATCHET	6	900701-0-0012	CIRCLIP 12	8
123138-0-3930	PIN, METERING LEVER	12	610011-4-9931	SHAFT, DRIVE	22	900701-0-0012	CIRCLIP 12	20
123139-0-3930	SCREW, M. LEVER PIN	12	610300-5-6930	GEAR SET	20	900702-0-0028	CIRCLIP 28	8
123140-2-7230	GASKET, M. DIAPHRAGM	12	610310-5-6933	SHAFT, P.T.O.	20	900702-0-0028	CIRCLIP 28	20
123142-0-3930	COVER, M. DIAPHRAGM	12	610313-5-2132	FIXTURE, BLADE	20	900702-0-0032	CIRCLIP 32	20
123146-1-0631	PLUG, WELCH	12	610313-5-2932	FIXTURE, BLADE	20	900720-0-0012	O-RING 12	20

NUMERICAL PARTS INDEX

Part No	Part description	Page	Part No	Part description	Page	Part No	Part description	Page
900800-0-6001	BEARING, BALL 6001	20	A226-00-1730	ELEMENT,AIR FILTER	10	A566-00-0260	SPRING, CLUTCH	8
900803-0-6001	BEARING, BALL 6001	20	A226-00-1740	ELEMENT, AIR FILTER	10	A570-00-0291	CASE,CLUTCH	8
900810-0-0629	BEARING, BALL 629	20	A227-00-0040	PLATE, ELEMENT	10	C062-00-0590	HARNES, SHOULDER	26
900810-3-6202	BEARING, BALL 6202	4	A244-00-0290	PLATE, PREVENT	10	C062-00-0591	HARNES, SHOULDER	28
900812-0-6201	BEARING, BALL 6201	20	A300-00-1850	MUFFLER, EXHAUST	16	C063-00-0050	HOOK,LIFTING	28
91316-04-010	SCREW	20	A320-00-1110	COVER,MUFFLER	16	C400-00-1440	HANDLE,FRONT	22
92105-08-000	NUT, FLANGE	6	A350-00-2020	TANK, FUEL	14	C403-00-0810	GRIP, HANDLE	22
94018-46-001	BEARING, BALL	8	A365-00-0060	CONNECTOR,CAP	14	C415-00-0172	SUPPORTER, HANDLE	22
A011-00-1350	CRANKSHAFT,ASY	2	A369-00-0001	STRAINER, FUEL	14	C423-00-0960	FIXTURE, HANDLE	22
A021-00-4220	CARBURETOR, DIAPHRAGM	10	A390-00-0050	SEAT,FUEL TANK	14	C423-00-0970	FIXTURE, HANDLE	22
A021-00-4220	CARBURETOR, DIAPHRAGM	12	A390-00-0060	SEAT,FUEL TANK	14	C427-00-0050	STOPPER, HAMDLE	22
A051-00-2881	STARTER,RECOIL ASY	18	A393-00-0300	BRACKET,FUEL TANK	18	C441-00-0000	PIECE,HAND GUARD	22
A101-00-0070	RING,PISTON	2	A393-00-0320	BRACKET,FUEL TANK	14	C450-00-0880	CONTROL, THROTTLE	24
A130-00-2190	CYLINDER	2	A393-00-0330	BRACKET,FUEL TANK	14	C460-00-0490	LOCKOUT, THROTTLE	24
A160-00-2631	COVER,CYLINDER	2	A409-00-1210	ROTOR, MAGNETO	6	C463-00-0000	KNOB,LATCH	24
A160-00-2930	COVER,CYLINDER	2	A411-00-1480	COIL, IGNITION	6	C480-00-0140	GUIDE, CABLE	22
A172-00-2600	COVER,FAN	18	A425-00-0000	SPARKPLUG	6	C487-00-0410	HOLDER, CABLE	10
A175-00-0331	STAND	14	A426-00-0010	TERMINAL, SPARKPLUG	6	C550-00-0511	SHIELD,BLADE	20
A200-00-0990	INSULATOR, INTAKE	10	A427-00-0060	CAP,SPARK PLUG	6	C550-00-0551	SHIELD,BLADE	20
A202-00-0270	BELLOWS, INTAKE	10	A429-00-0090	COVER,CAP	6	C550-00-0570	SHIELD,BLADE	20
A209-00-0720	PLATE, INSULATOR	10	A514-00-0280	PAWL	6	C552-00-0200	PLATE, SHIELD	20
A209-00-0740	PLATE, INSULATOR	4	A553-00-0040	ARM,CLUTCH	8	C554-00-0030	KNIFE, CORD	20
A209-00-0840	PLATE, INSULATOR	10	A556-00-0181	DRUM,CLUTCH	8	C630-00-0230	SEAT, BACKPACK	28
A225-00-0690	CASE,CLEANER	10	A557-00-0200	SHAFT,CLUTCH	8	C630-00-0250	SEAT, BACKPACK	28

NUMERICAL PARTS INDEX

Part No	Part description	Page	Part No	Part description	Page	Part No	Part description	Page
C644-00-0220	PAD, HARNESS	28	P021-04-1470	SWITCH,ON OFF ASY	24	P022-03-7550	STARTER CASE	18
C648-00-0030	HOLDER,LIFTING	22	P021-04-7110	PISTON KIT	2	P022-03-7560	ROPE, STARTER	18
C650-00-0000	ADJUSTER,STRAP	28	P021-04-7120	CRANK CASE SET	4	P200-00-0540	FIXTURE,CUSHION ASY	22
C650-00-0010	ADJUSTER,STRAP	28	P021-04-7140	CLUTCH ASY	8	V100-00-0790	GASKET,CYL	2
C650-00-0020	ADJUSTER,STRAP	28	P021-04-7150	CLEANER LID ASY	10	V102-00-0260	GASKET, CRANKCASE	4
C651-00-0070	BELT, HARNESS	28	P021-04-7220	MAIN PIPE ASY	22	V103-00-0500	GASKET,INTAKE	10
C652-00-0070	PAD, WAIST	28	P021-04-7231	PAD, WAIST ASY	28	V103-00-1610	GASKET,INTAKE	10
C652-00-0080	PAD, WAIST	28	P021-04-7370	HANDLE GRIP SET	24	V103-00-1620	GASKET,INTAKE	10
C652-00-0090	PAD, WAIST	28	P021-04-7390	BUCKLE, HARNESS SET	28	V104-00-2030	GASKET,EXHAUST	16
C653-00-0000	END,BELT	28	P022-00-0710	EYELET	30	V104-00-2170	GASKET,EXHAUST	16
P003-00-0310	VALVE THROTTLE	12	P022-00-1180	BOBBIN	30	V150-00-3590	PLATE,EYE	22
P003-00-1790	VALVE, CHOKE	12	P022-00-1200	SPRING	30	V186-00-0510	JOINT,PIPE	14
P003-00-1850	DIAPHRAGM, METERING	12	P022-00-4680	SPRING, SPIRAL	18	V253-00-0100	SCREW,5	10
P003-00-2270	NEEDLE	12	P022-00-5030	COVER	30	V263-00-0020	NUT,5	22
P003-00-2380	SCREW	12	P022-00-5040	HOUSING	30	V299-00-0110	KNOB,FASTENER	22
P003-00-5020	SHAFT ASM THROTTLE	12	P022-00-6200	NYLON CODE	30	V308-00-0100	WASHER,CIRCULAR 11	2
P003-00-5120	SCREW	12	P022-01-0390	NUT	30	V355-00-0750	COLLAR,8	22
P003-00-5450	PUMP COVER ASY	12	P022-01-9450	TAP KNOB	30	V376-00-1650	SPACER	8
P003-00-5460	SWIVEL	12	P022-02-2050	WASHER	30	V420-00-4100	CUSHION	22
P003-00-5470	SHAFT ASY, CHOKE	12	P022-02-3110	SCREW	18	V420-00-4860	CUSHION	14
P021-01-2210	CAP,FUEL ASY	14	P022-02-3120	SPRING,DAMPER	18	V423-00-0130	HOLDER,CUSHION	14
P021-01-4320	SAW,BUSH CUTTER	26	P022-02-3140	DRUM, STARTER	18	V430-00-4690	CABLE,BOWDEN	24
P021-04-1320	SHIELD ASY, BLADE	20	P022-02-3160	SPACER	30	V452-00-0060	SPRING,TORSION	24
P021-04-1342	CASE,GEAR	20	P022-03-3830	CAM	18	V452-00-1310	SPRING,TORSION	20

NUMERICAL PARTS INDEX

Part No	Part description	Page	Part No	Part description	Page	Part No	Part description	Page
V452-00-1471	SPRING,TORSION	6	V804-00-0030	BOLT, TORX 4	16	V835-00-0030	BOLT, TORX 5	14
V452-00-1540	SPRING,TORSION	24	V805-00-0060	BOLT, TORX 5	24	V835-00-0030	BOLT, TORX 5	18
V453-00-0100	SPRING,FLAT	8	V805-00-0070	BOLT, TORX 5	22	V855-00-0000	BOLT, TORX 5	10
V470-00-0840	PIPE	14	V805-00-0130	BOLT, TORX 5	8	X047-00-0230	CUTTER,ASM LINE	26
V471-00-0630	PIPE	14	V805-00-0130	BOLT, TORX 5	20	X047-00-0230	CUTTER,ASM LINE	30
V471-00-0740	PIPE	4	V805-00-0140	BOLT, TORX 5	6	X495-00-0270	SCABBARD,BLADE	26
V471-00-1300	PIPE	10	V805-00-0150	BOLT, TORX 5	6	X502-00-0390	LABEL,ECHO	28
V471-00-2310	PIPE	14	V805-00-0150	BOLT, TORX 5	18	X502-00-0900	LABEL,ECHO	18
V475-00-7540	TUBE	6	V805-00-0150	BOLT, TORX 5	20	X524-00-1901	LABEL	2
V475-00-7550	TUBE	6	V805-00-0150	BOLT, TORX 5	22	X547-00-2410	LABEL,ECHO	2
V475-00-7720	TUBE	14	V805-00-0160	BOLT, TORX 5	8	X602-00-0020	TOOL,WRENCH	26
V475-00-8080	TUBE	4	V805-00-0170	BOLT, TORX 5	20	X605-00-0170	TOOL,L WRENCH	26
V485-00-2331	LEAD	6	V805-00-0180	BOLT, TORX 5	4	X606-00-0080	TOOL,BAR	26
V485-00-2570	LEAD	4	V805-00-0210	BOLT, TORX 5	2	X690-00-0080	GOGGLE	26
V490-00-0510	CLIP	14	V805-00-0260	BOLT, TORX 5	16			
V490-00-1220	CLIP	22	V805-00-0260	BOLT, TORX 5	20			
V490-00-1240	CLIP	14	V805-00-0300	BOLT, TORX 5	16			
V491-00-0260	CLIP	28	V805-00-0330	BOLT, TORX 5	10			
V491-00-0460	CLIP	14	V806-00-0010	BOLT, TORX 6	22			
V495-00-3660	BAND	22	V806-00-0050	BOLT, TORX 6	16			
V541-00-0540	SEAL	16	V806-00-0100	BOLT, TORX 6	20			
V556-00-0000	BEARING,NEEDLE 11	2	V835-00-0000	BOLT, TORX 5	2			
V609-00-0000	PIN,ENG 11	2	V835-00-0000	BOLT, TORX 5	4			
V804-00-0010	BOLT, TORX 4	24	V835-00-0010	BOLT, TORX 5	10			